



Lean-To Veranda



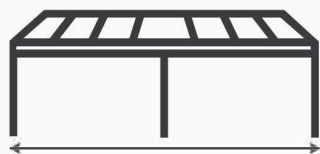
T: 01933 44 88 44

E: enquiries@samsonawnings.co.uk

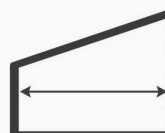
W: www.samsonawnings.co.uk



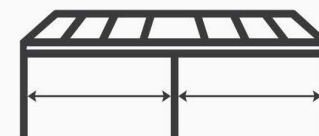
Size Parameters



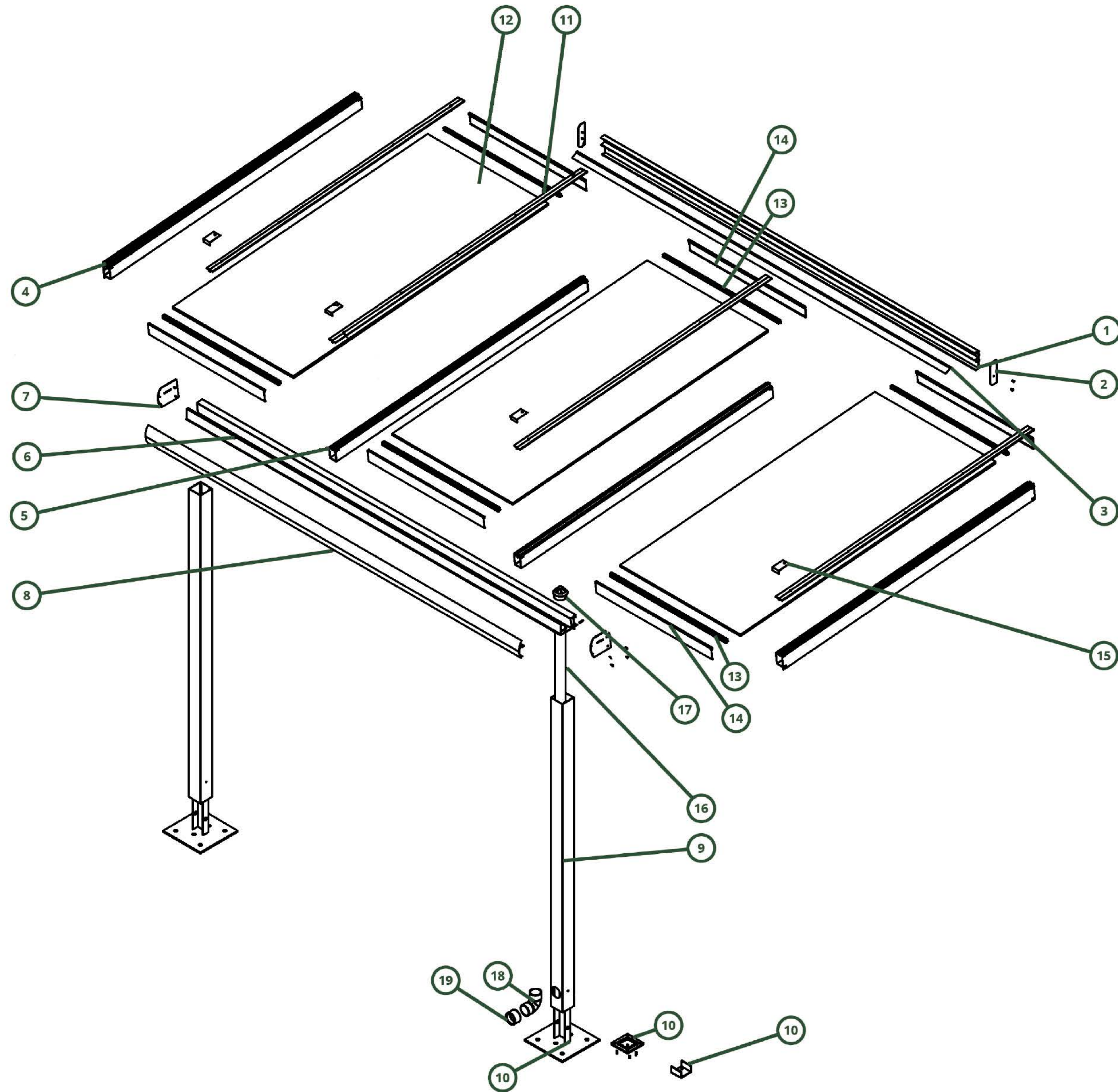
Length
Any Length

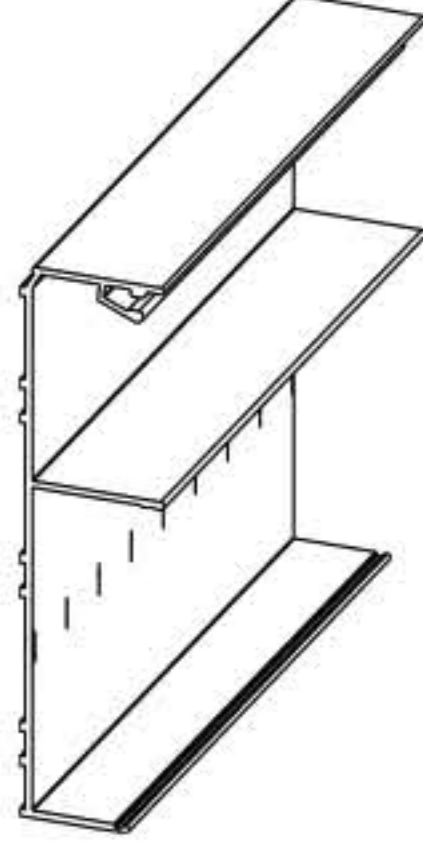
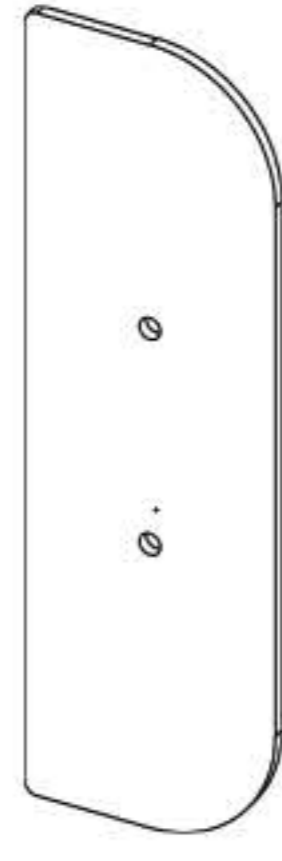
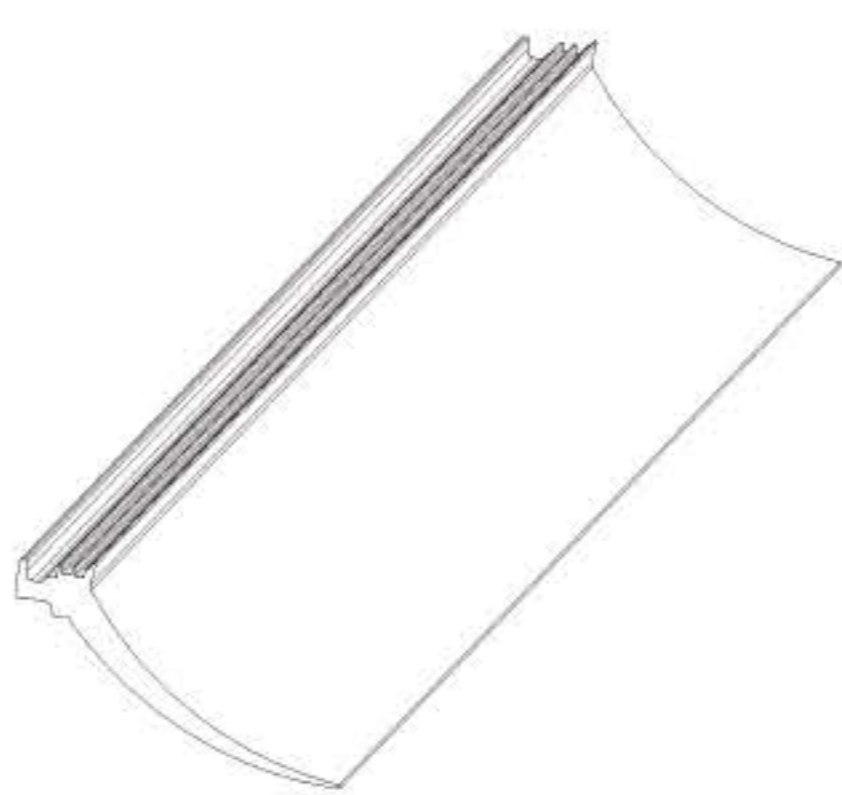
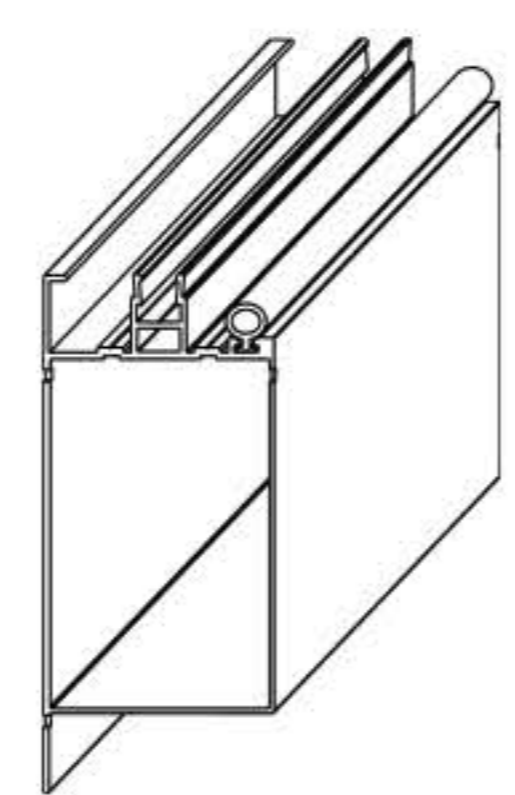
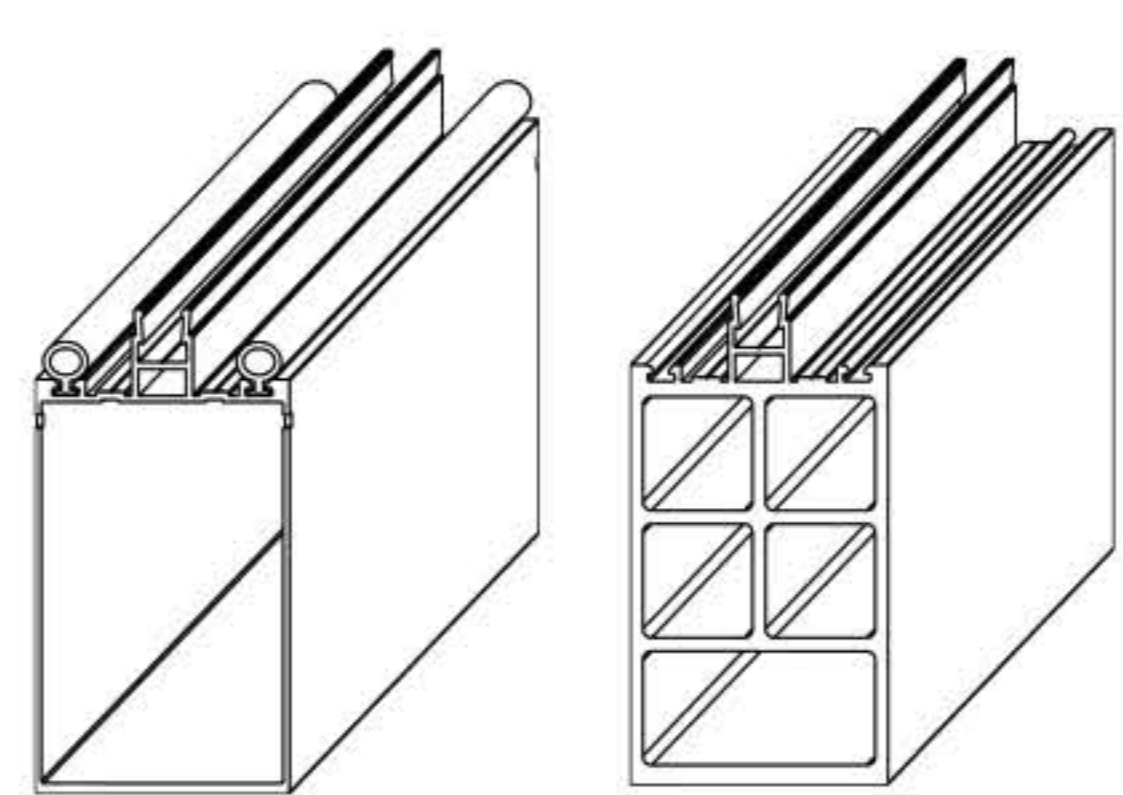
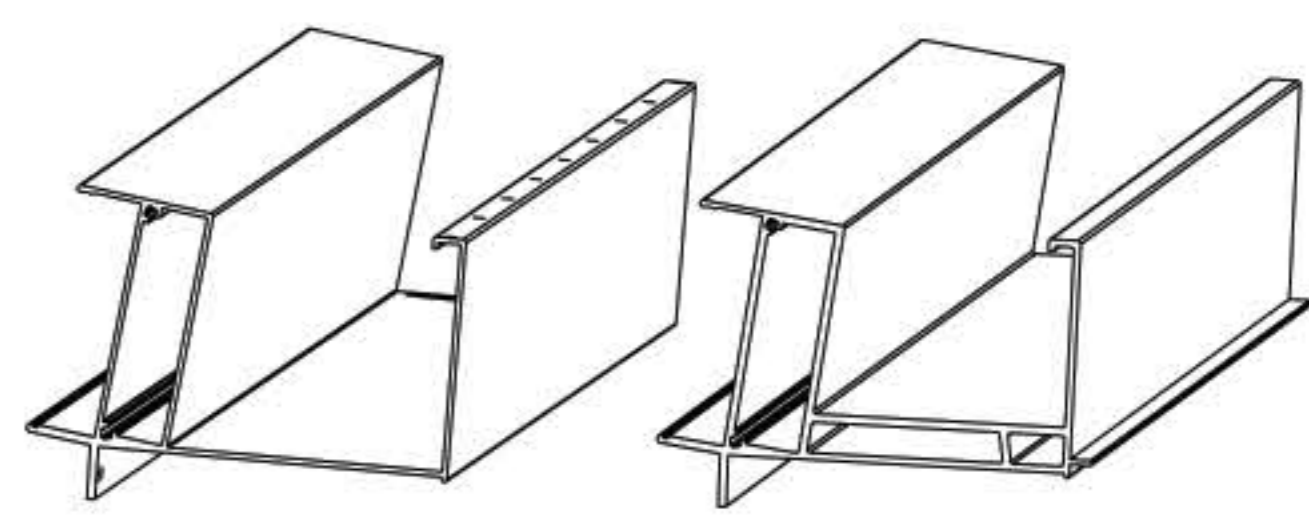
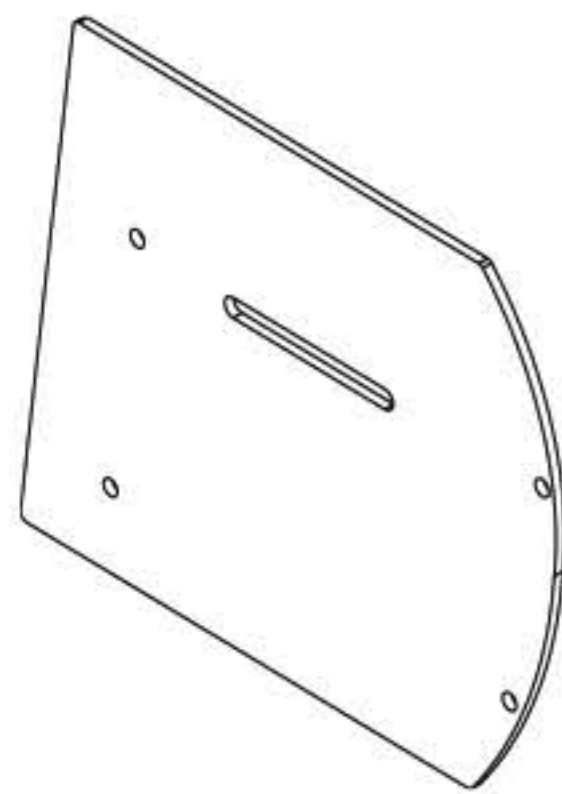
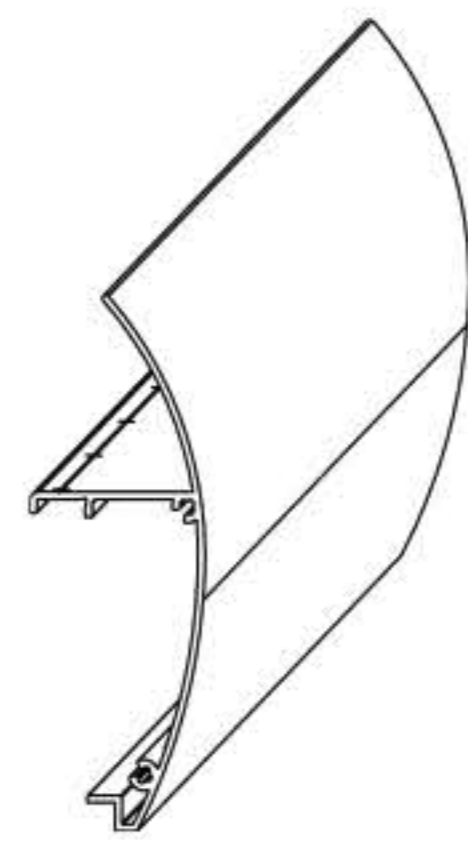
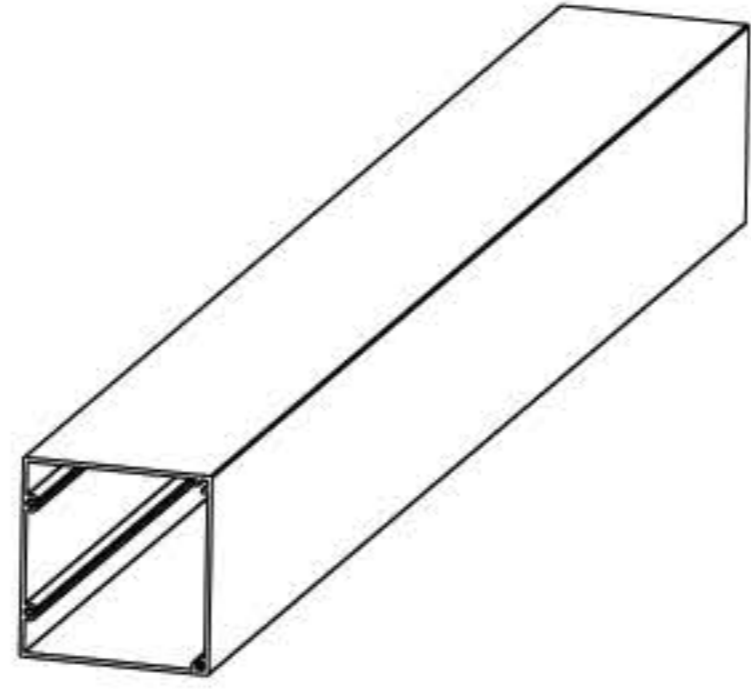
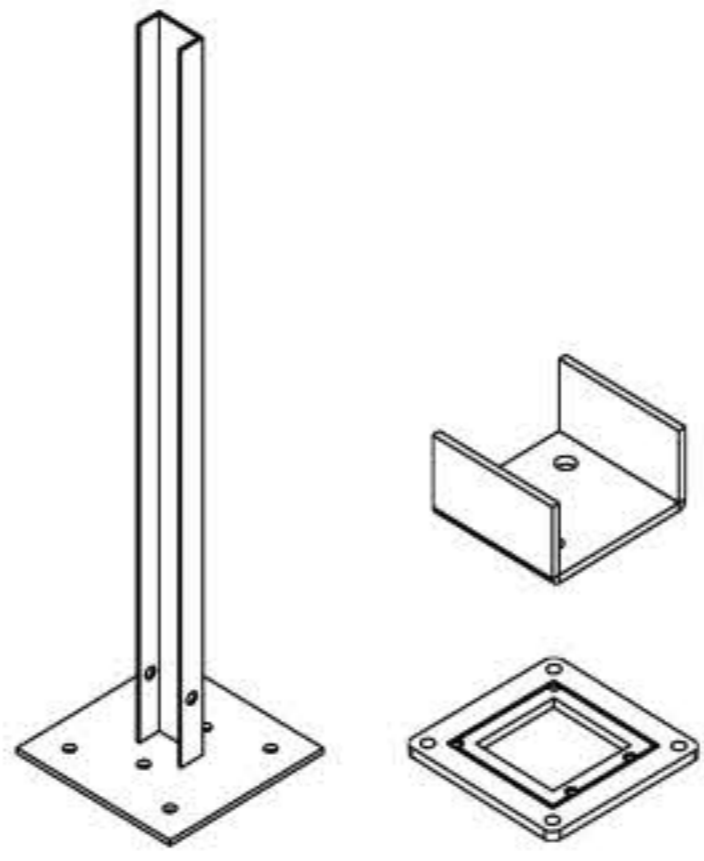
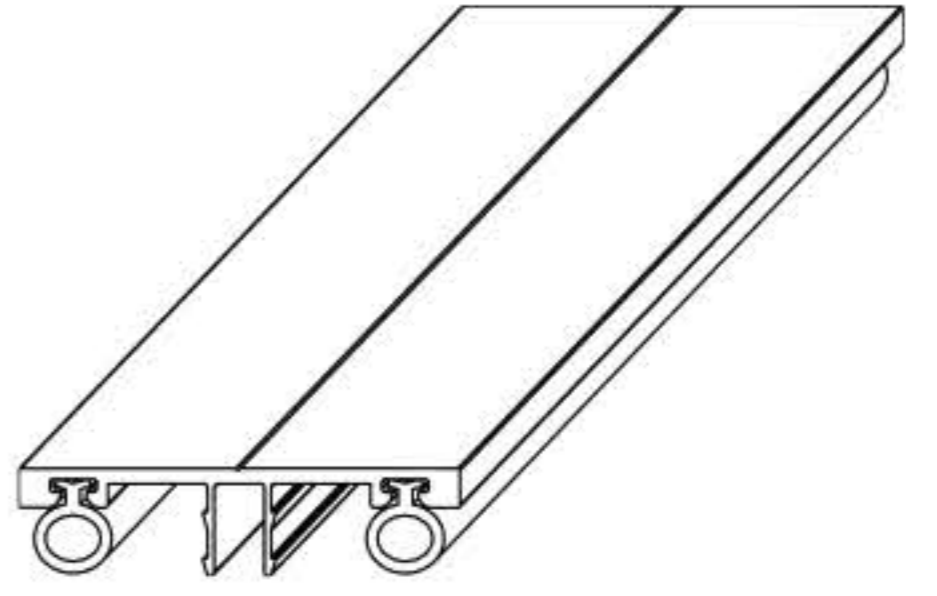
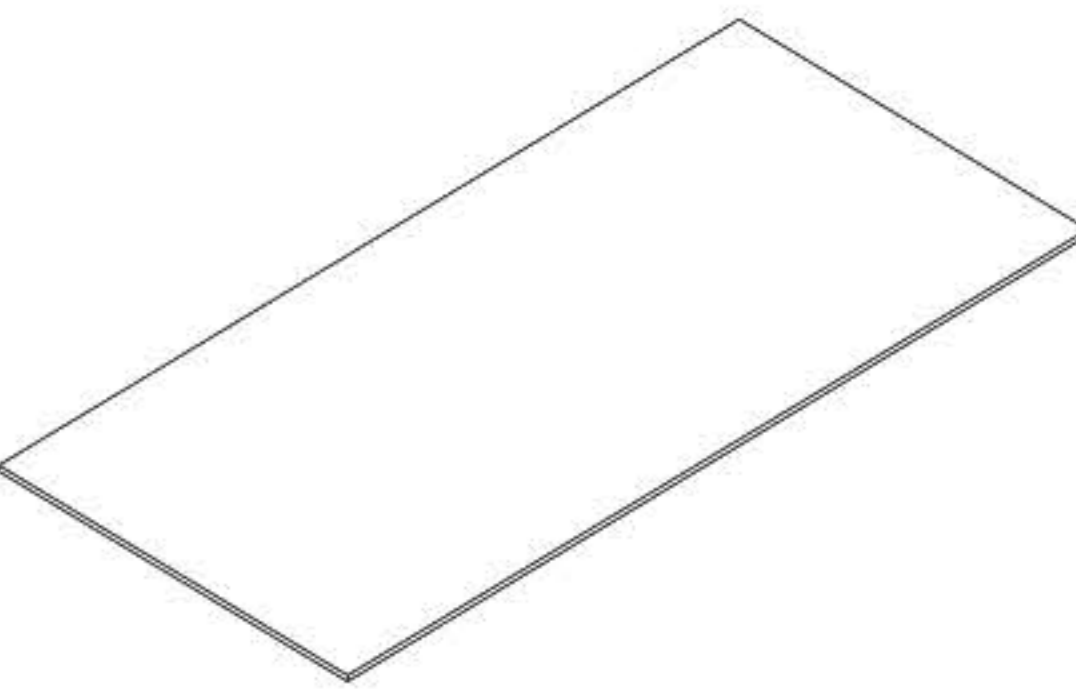
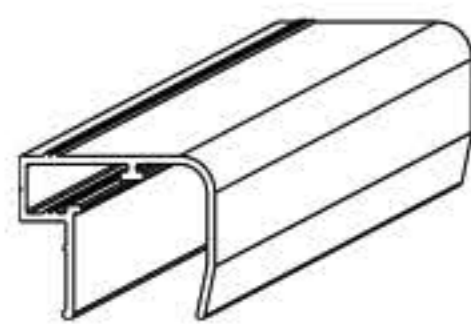
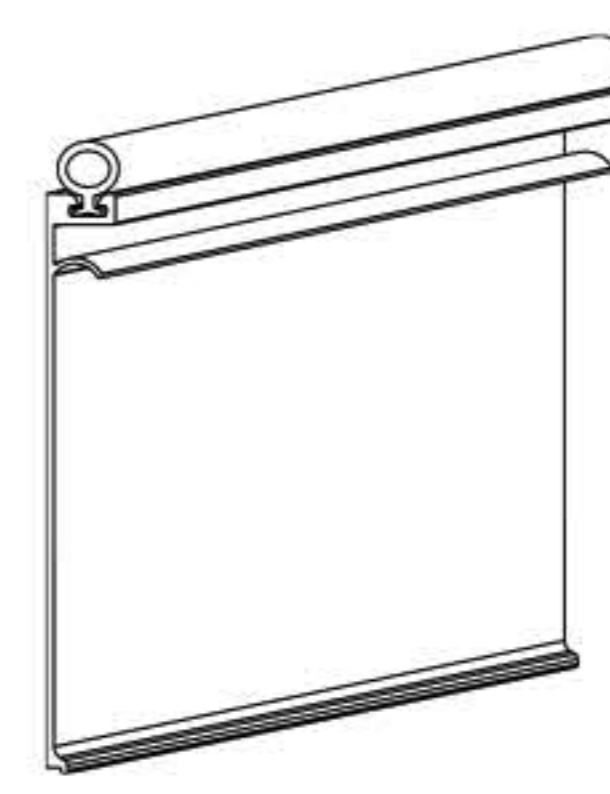
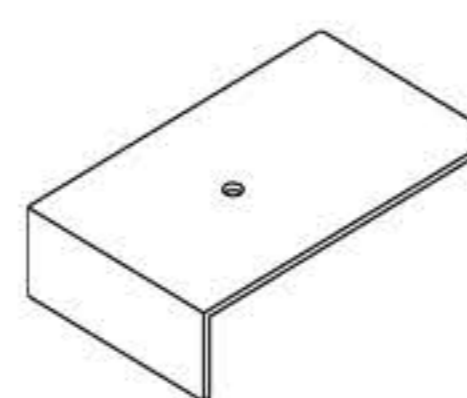

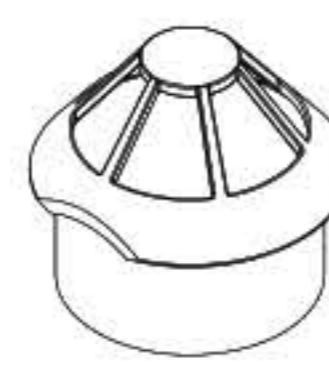
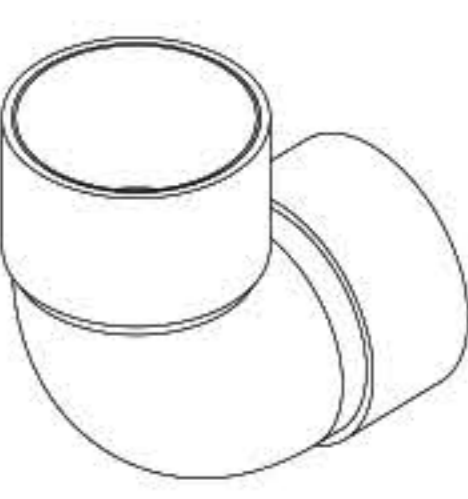



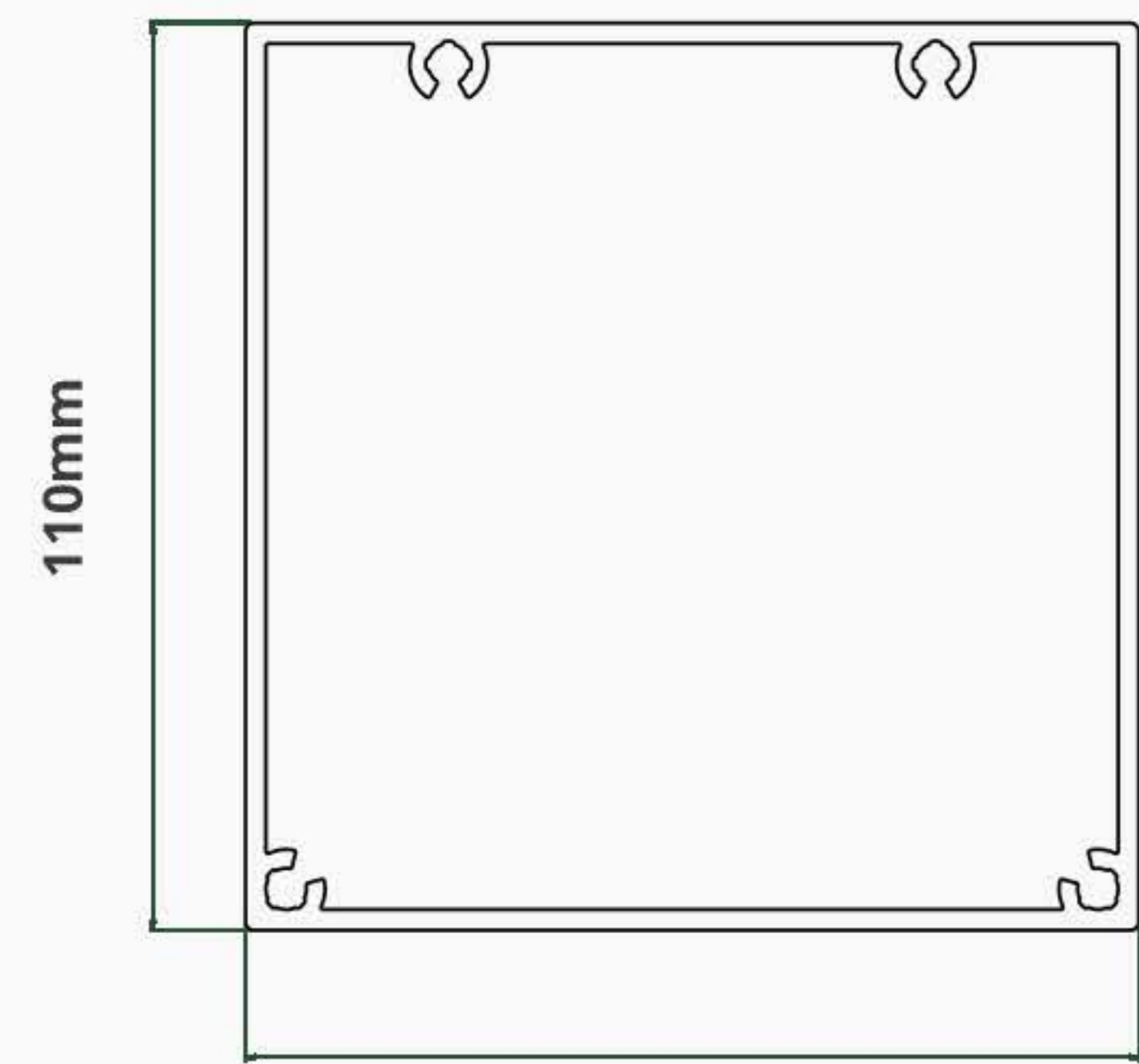
Projection
6m max (polycarbonate roof)
5m max (glass roof)



Span Between Posts
6m Span (max projection 4m)
4m Span (4m+ projection)

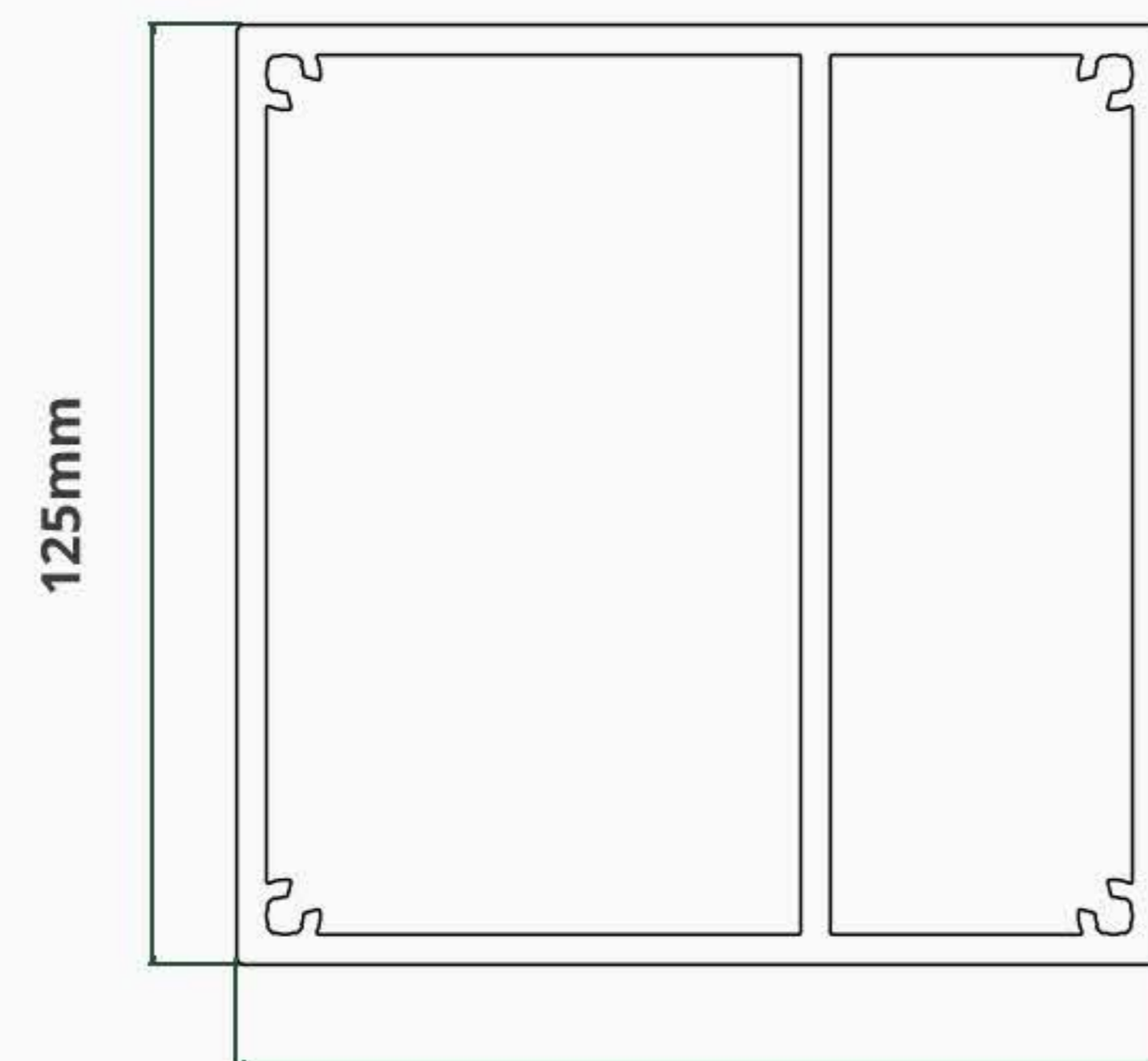


| | | | | | |
|---|---|---|---|---|---|
|  <p>1. Wall Plate</p> |  <p>2. End Cap</p> |  <p>3. Wall Plate Rubber</p> |  <p>4. Side Roof Beam</p> |  <p>5. Intermediate Roof Beam</p> |  <p>6. Gutter</p> |
|  <p>7. Gutter End Cap</p> |  <p>8. Gutter Fascia</p> |  <p>9. 110 x 110mm Square Post</p> |  <p>10. Base Plate</p> |  <p>11. Roof Beam Top Cap</p> |  <p>12. Roof Panel</p> |
|  <p>13. Nosing (Polycarbonate Only)</p> |  <p>14. Infill Fascia</p> |  <p>15. Roof Beam End Plate</p> |  <p>16. Down Pipe</p> |  <p>17. Leaf Guard</p> |  <p>18. Elbow</p> |
|  <p>19. Elbow End Cover</p> | | | | | |



110mm

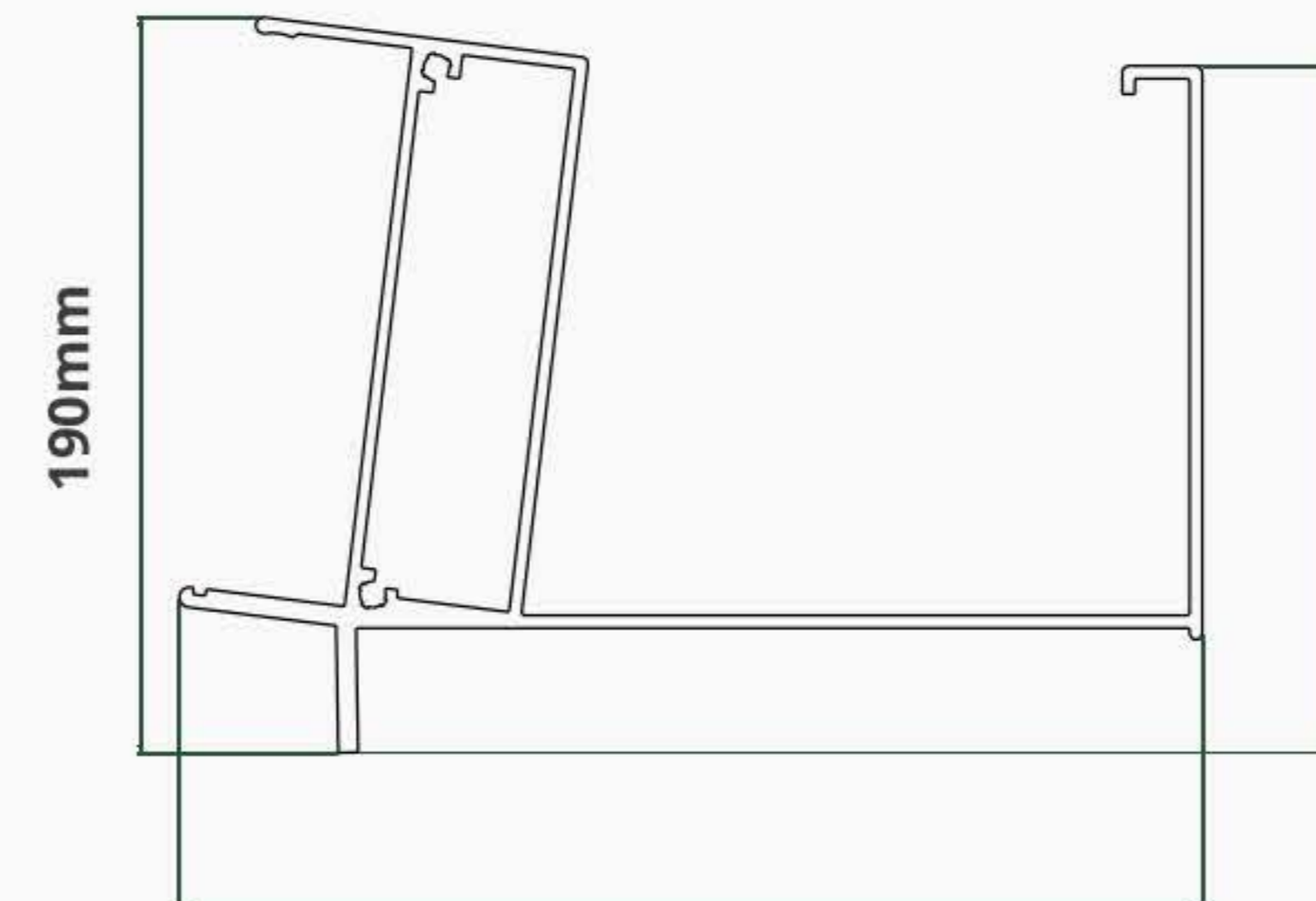
1. Standard Post



125mm

125mm

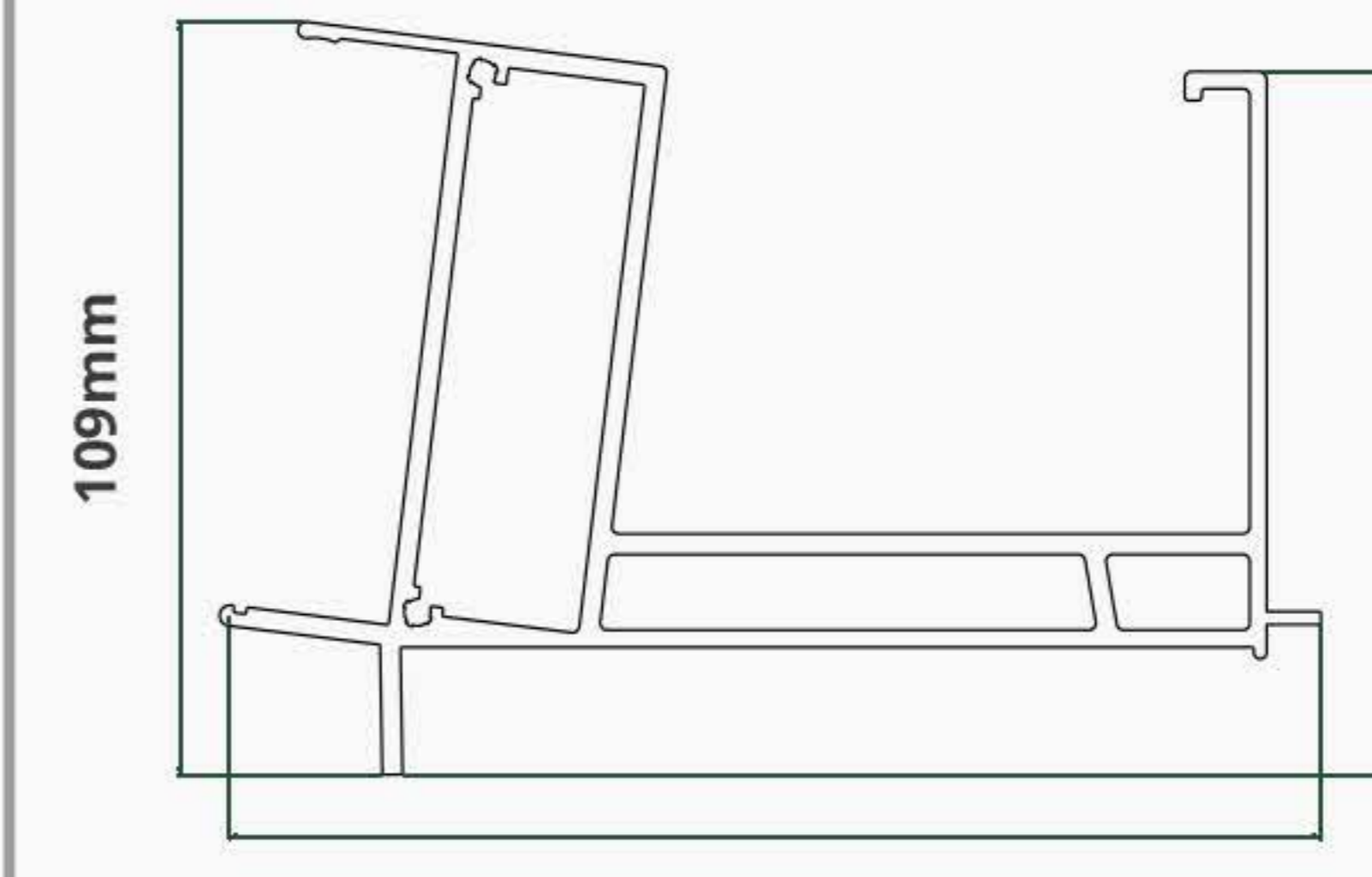
2. Heavy Duty Post



190mm

155mm

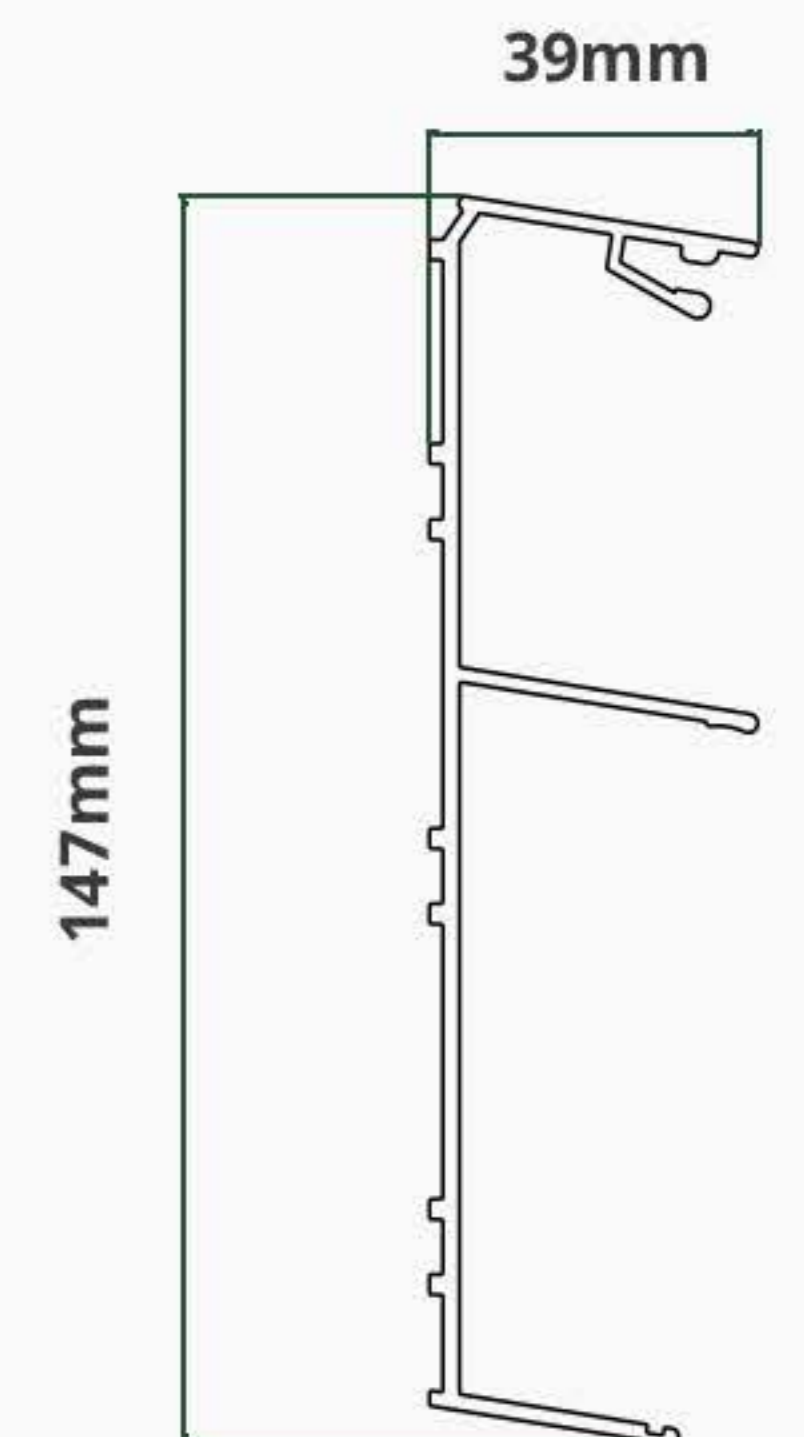
3. Standard Gutter



109mm

162mm

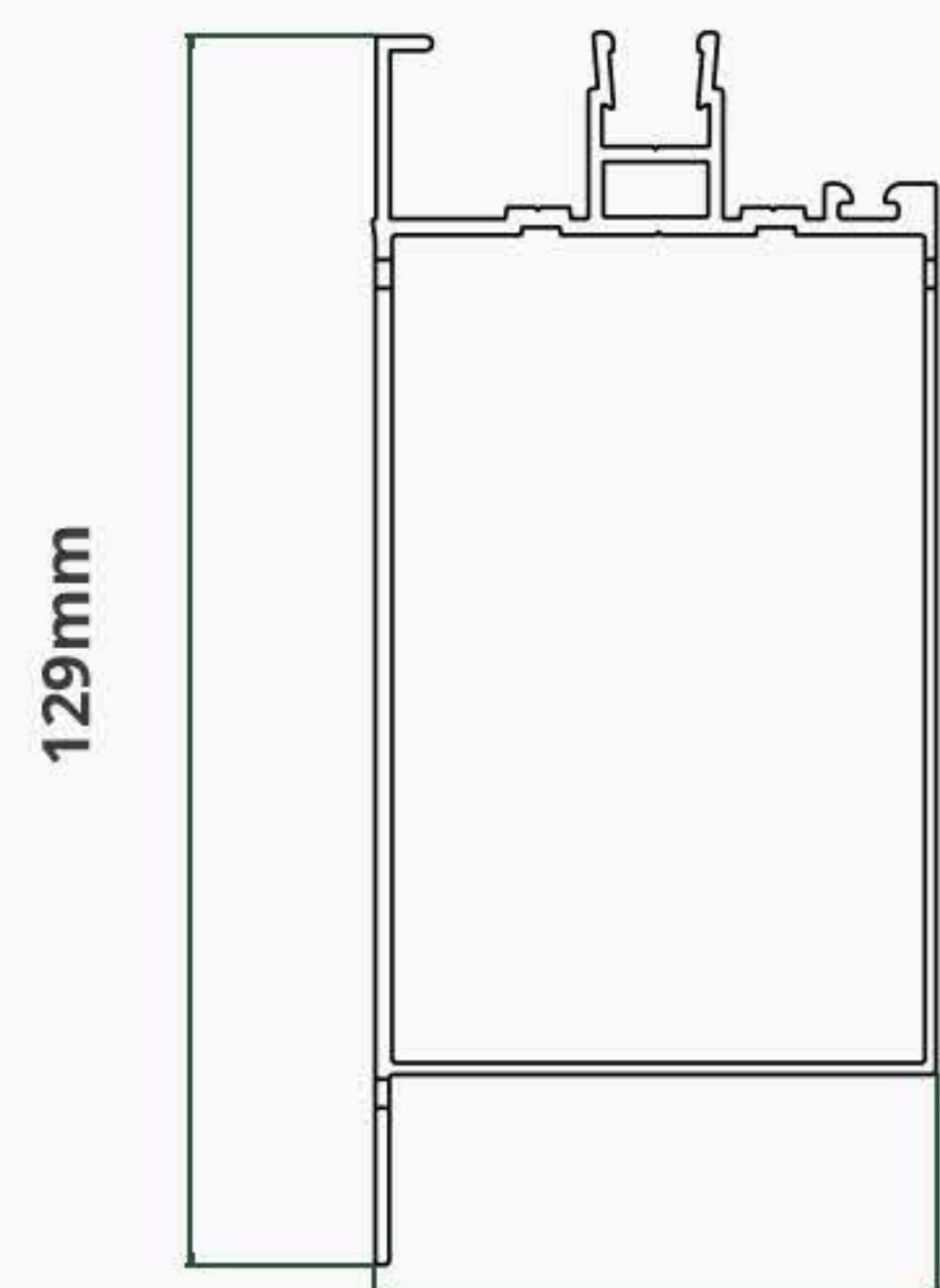
4. Heavy Duty Gutter



147mm

39mm

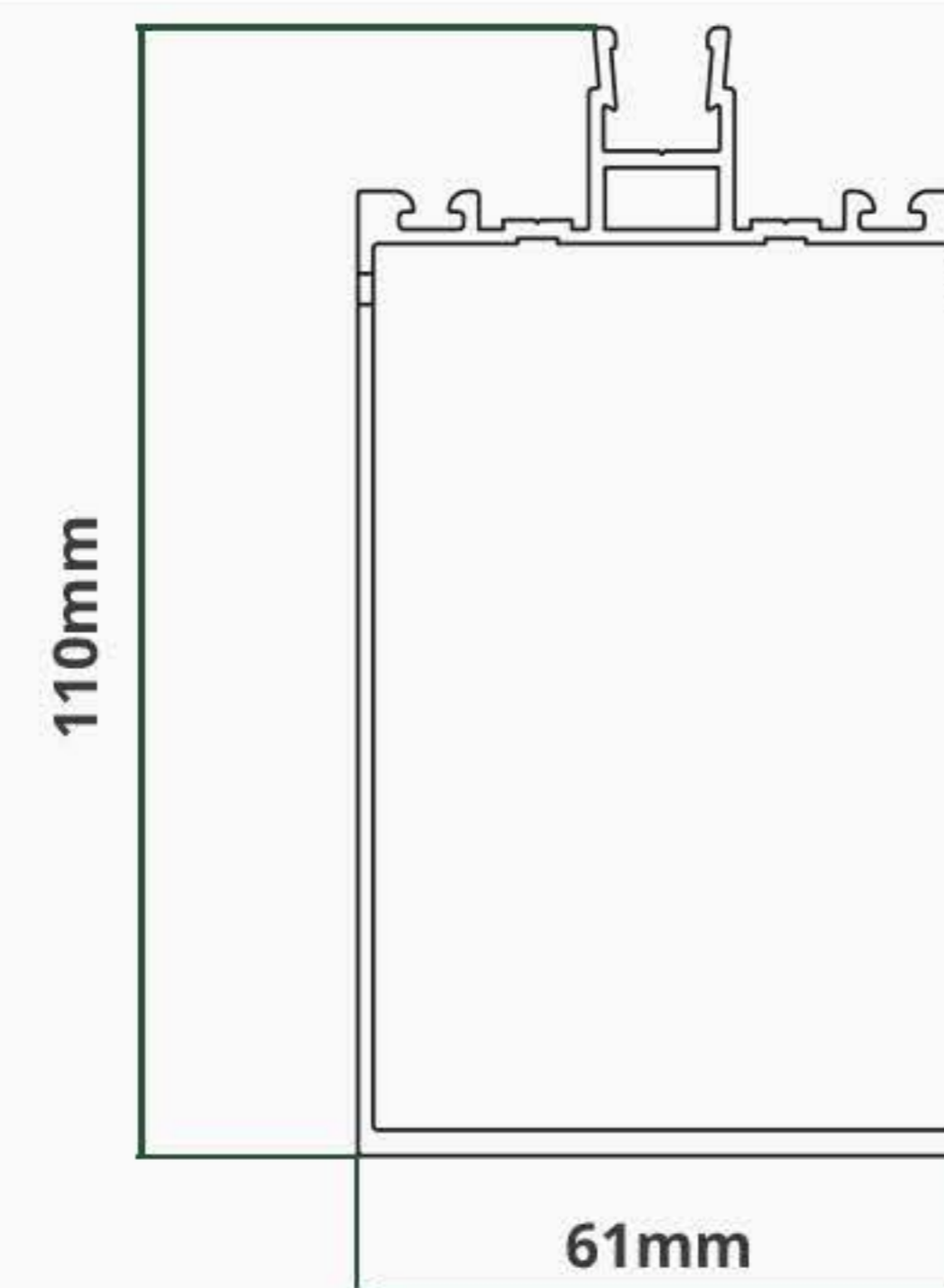
5. Wall Plate



129mm

61mm

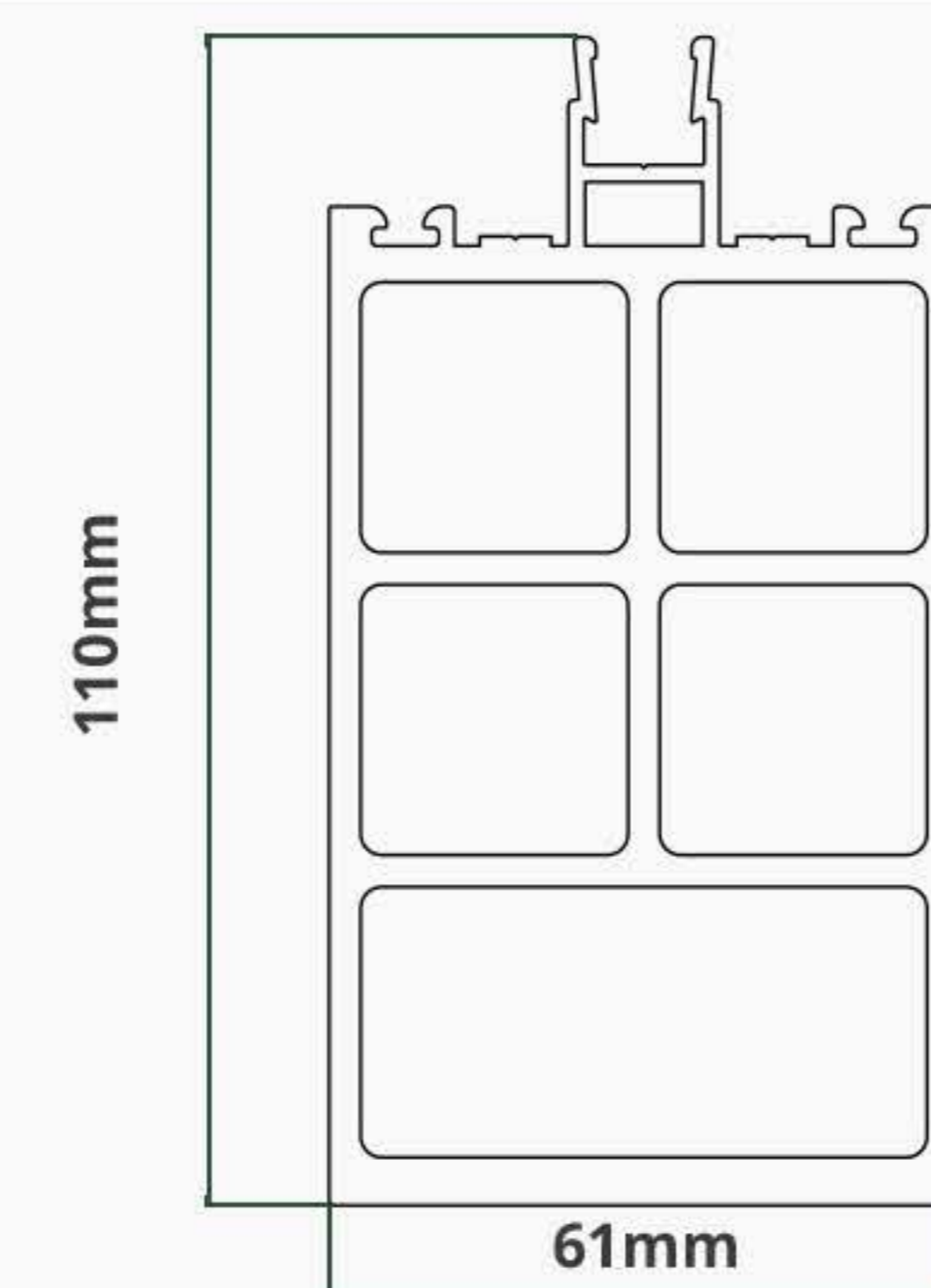
6. Side Roof Beam



110mm

61mm

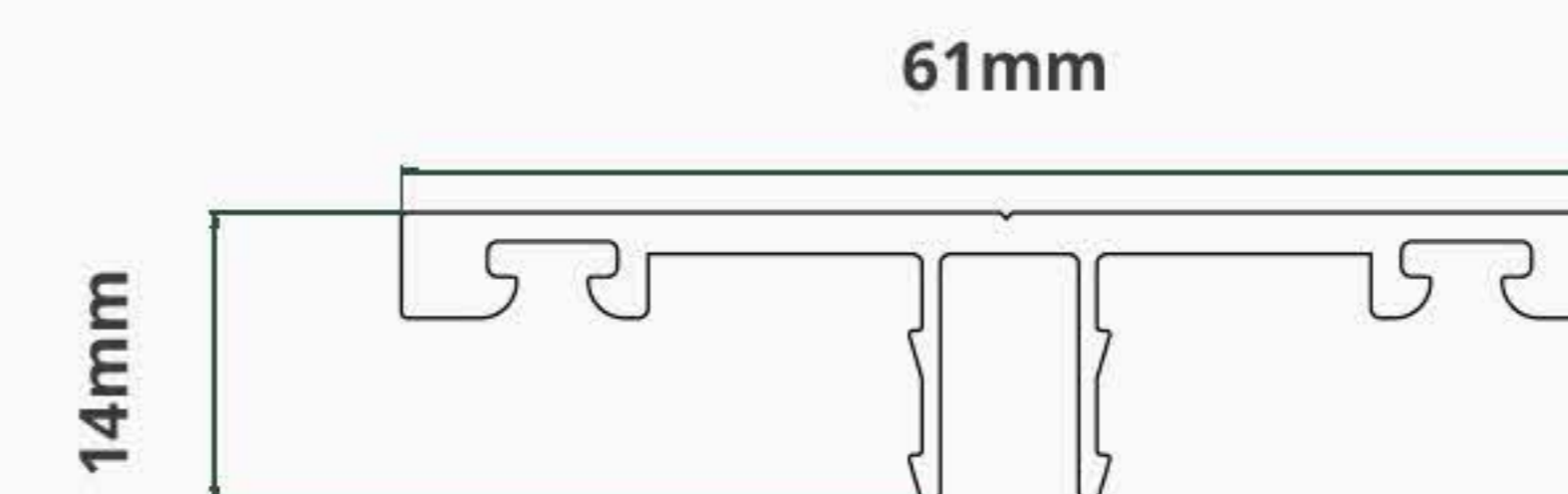
7. Intermediate Roof Beam



110mm

61mm

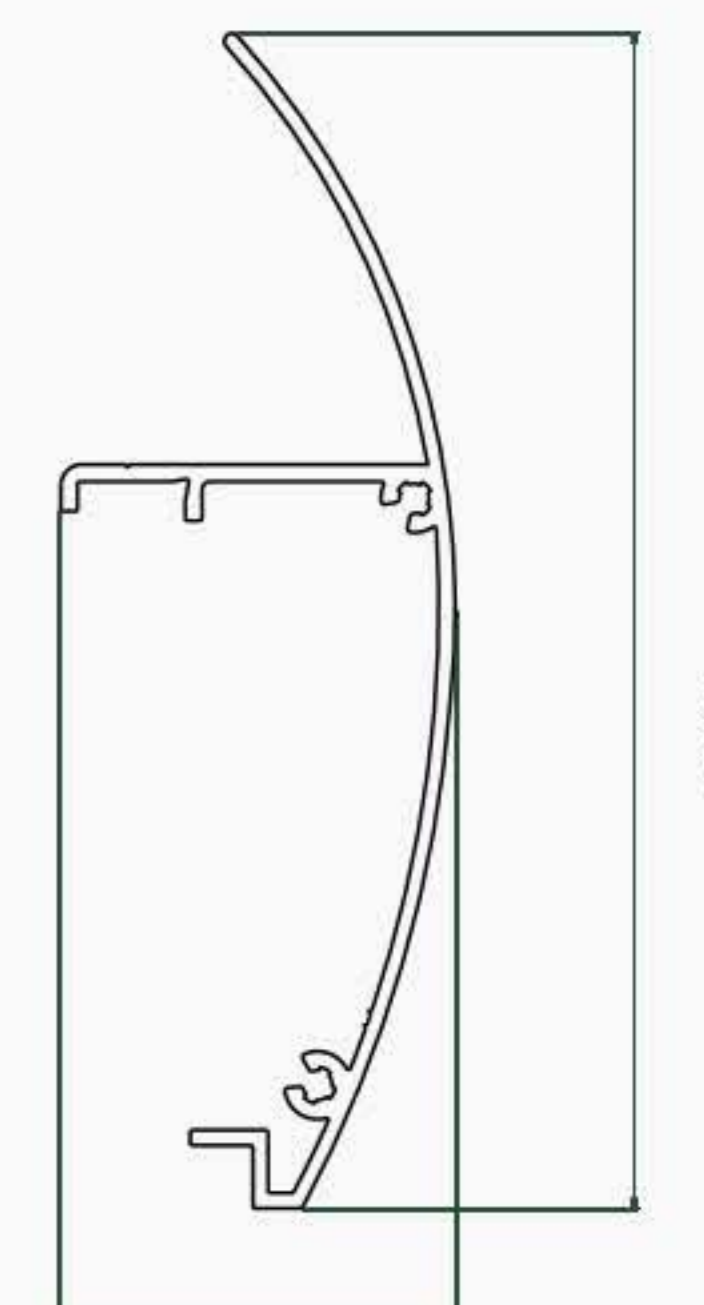
8. Heavy Duty Intermediate Roof Beam



14mm

61mm

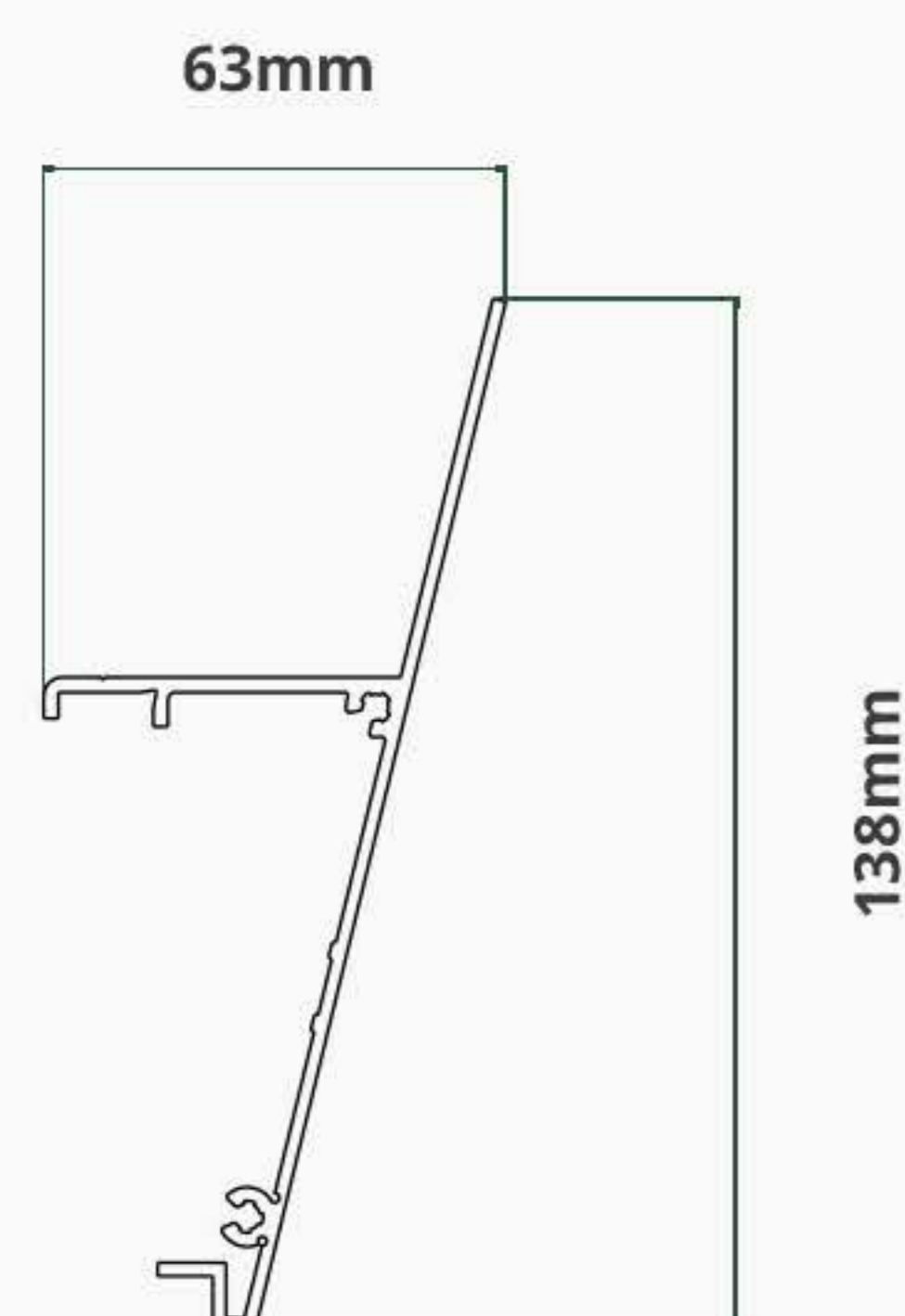
9. Roof Beam Top Cap



136mm

47mm

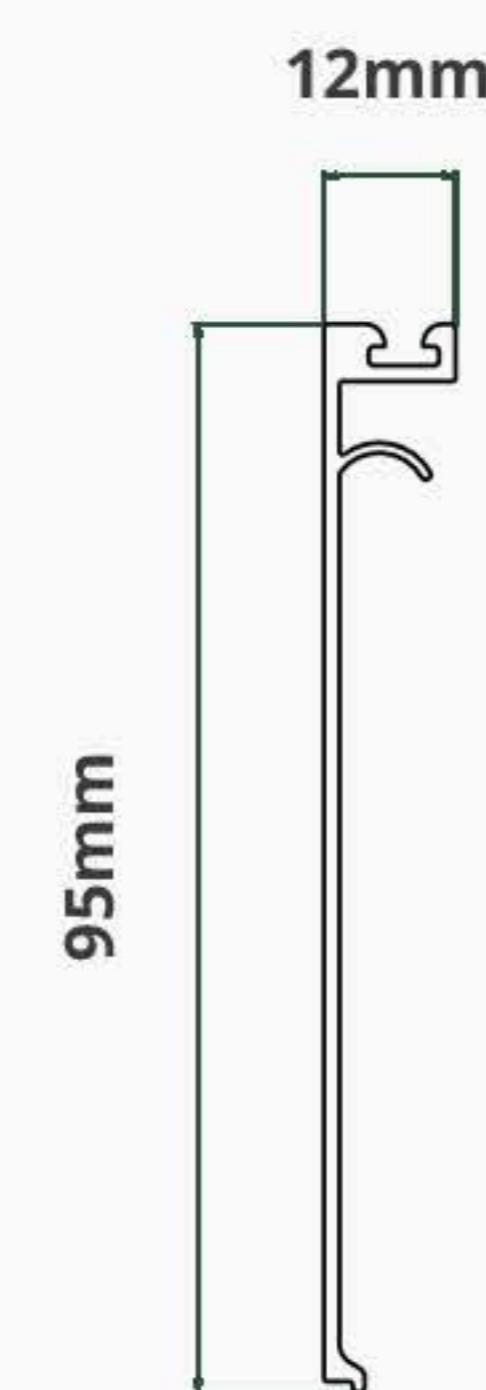
10. Radiused Gutter Fascia



63mm

138mm

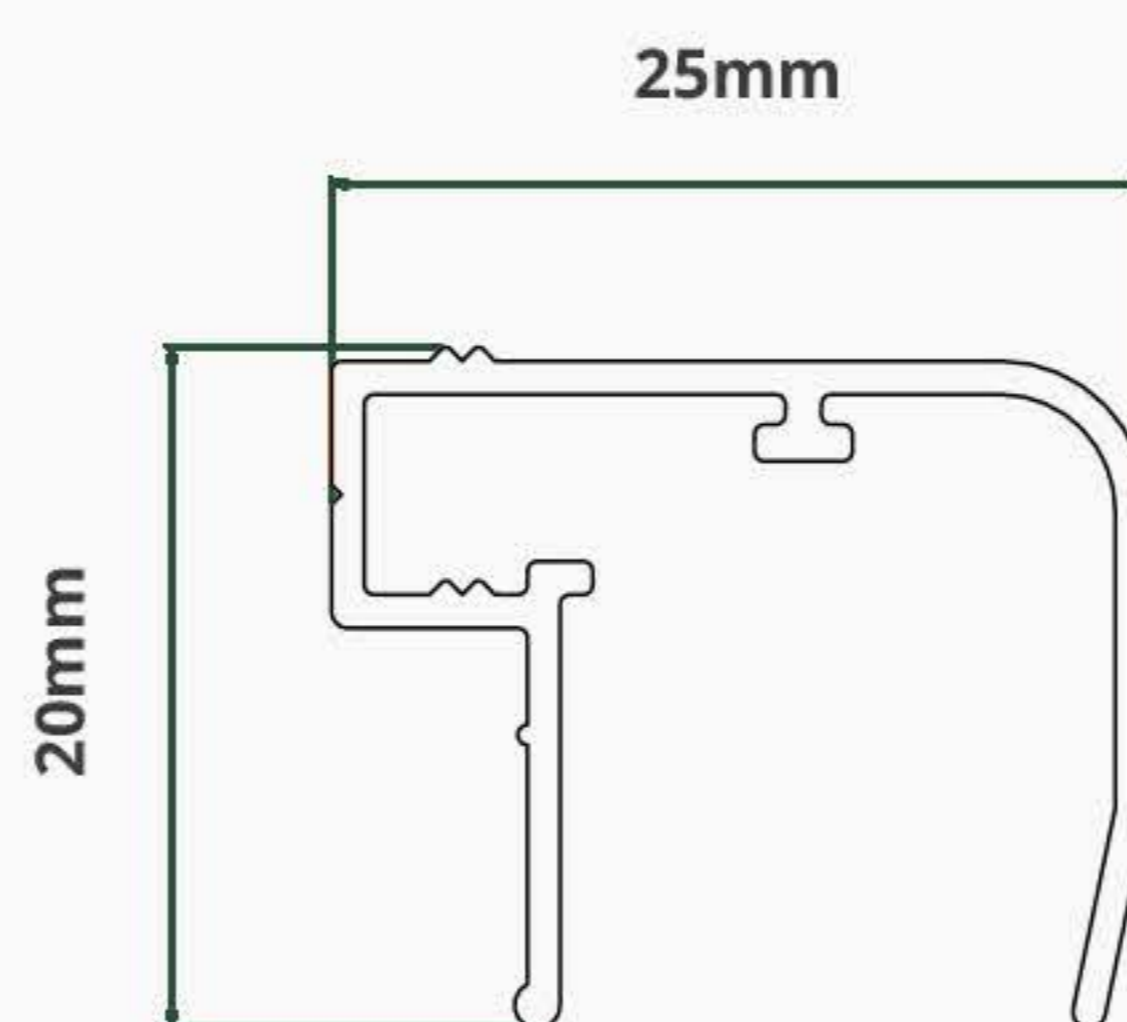
11. Angled Gutter Fascia



95mm

12mm

12. Infill Fascia



20mm

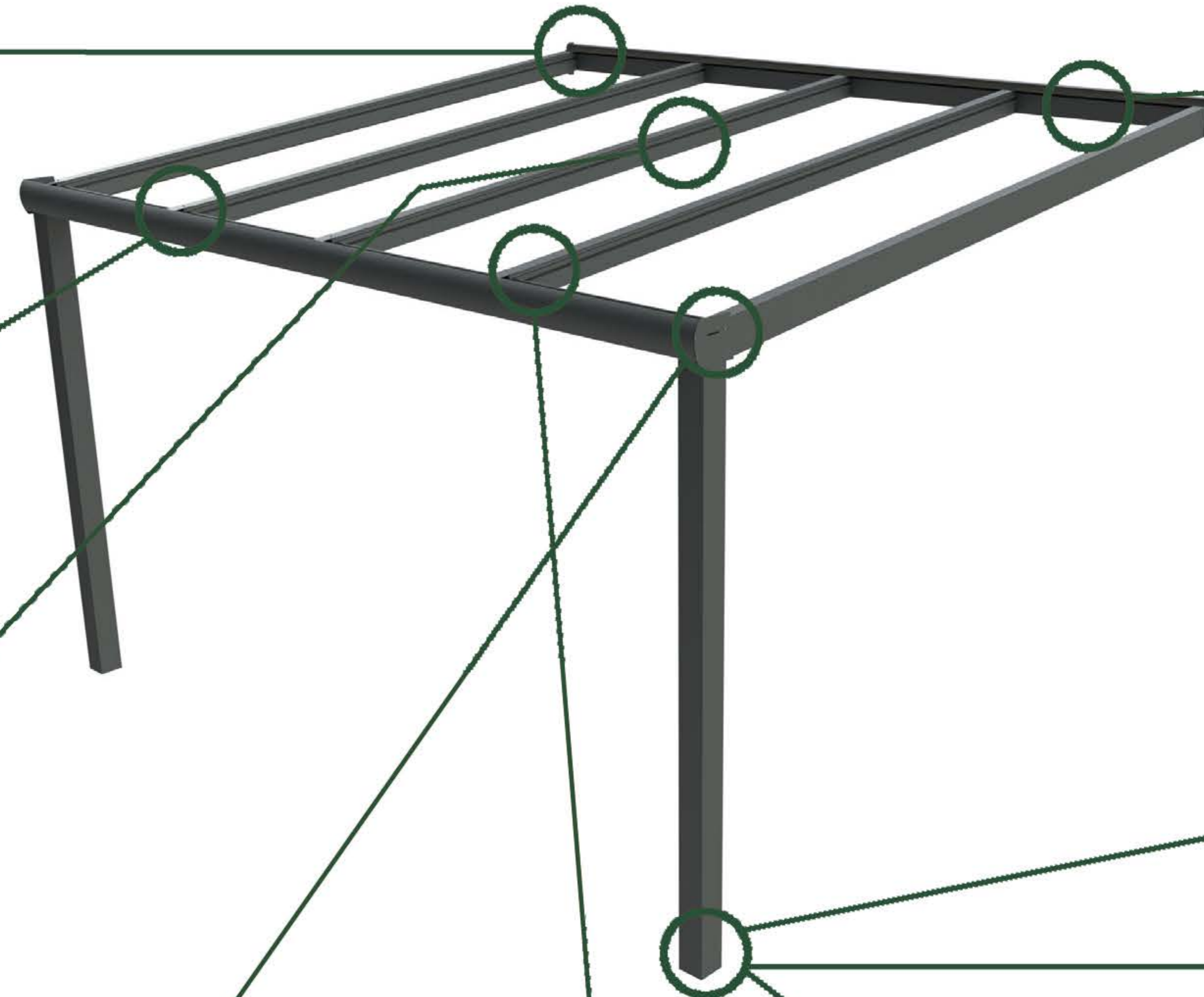
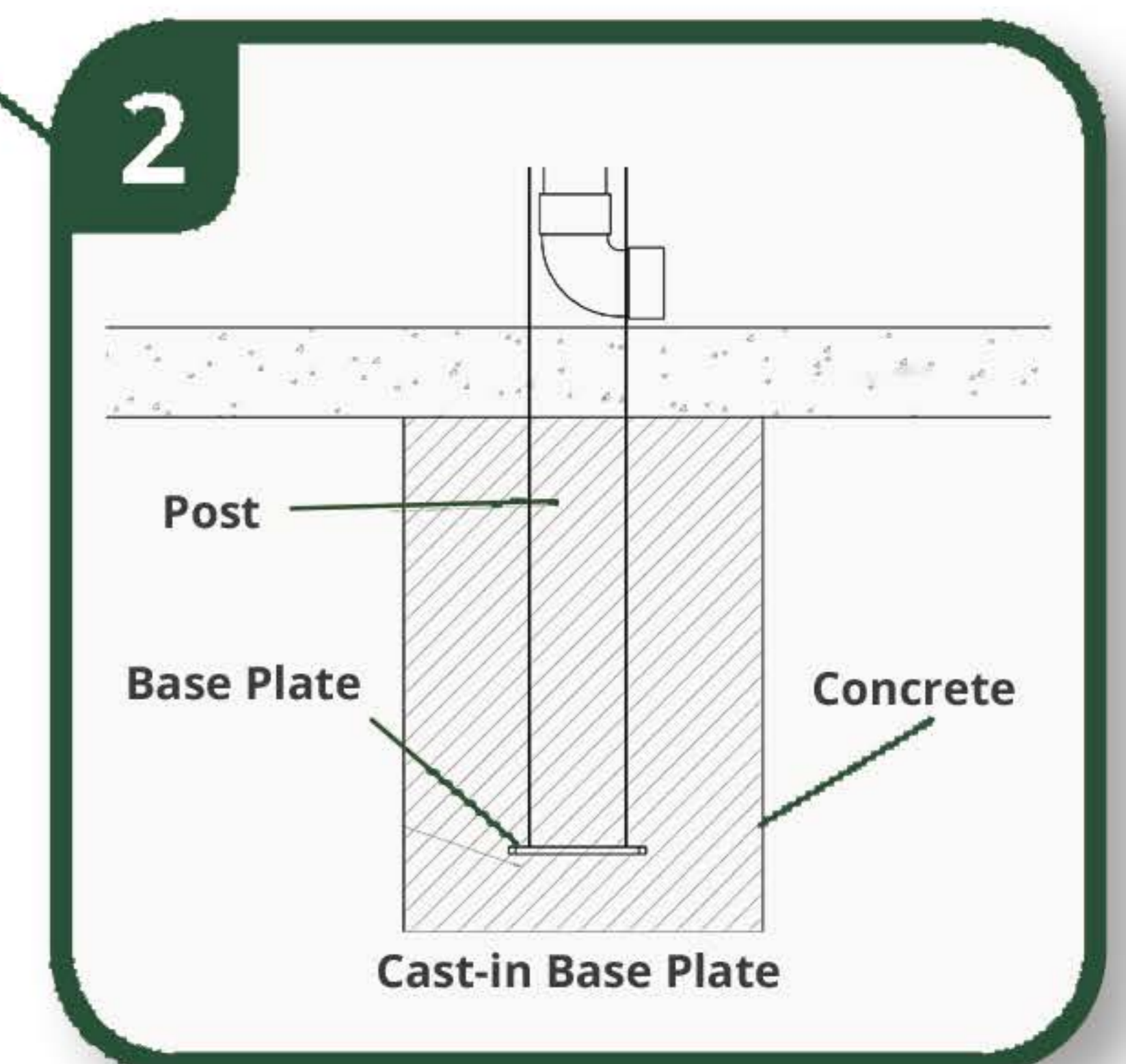
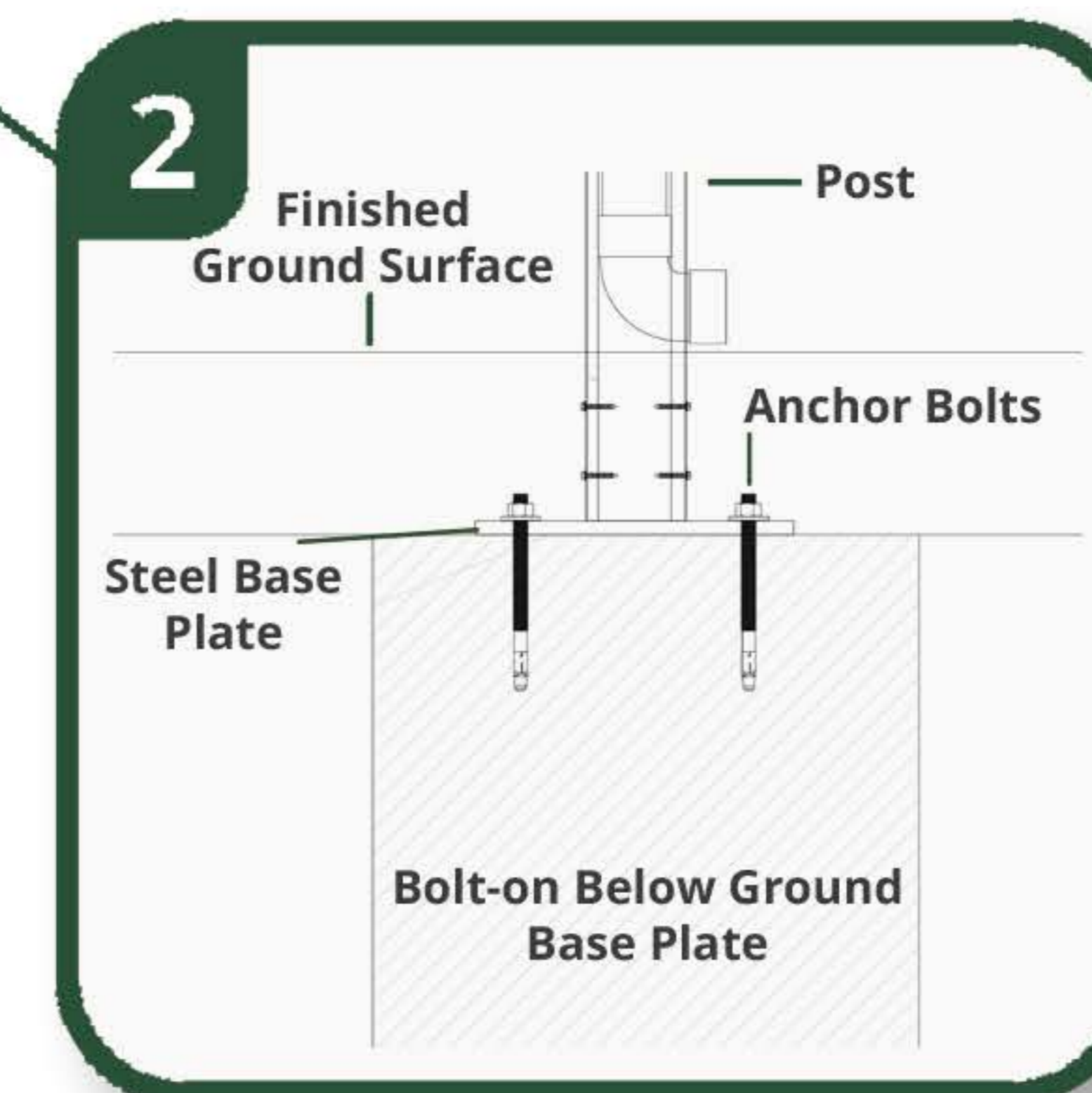
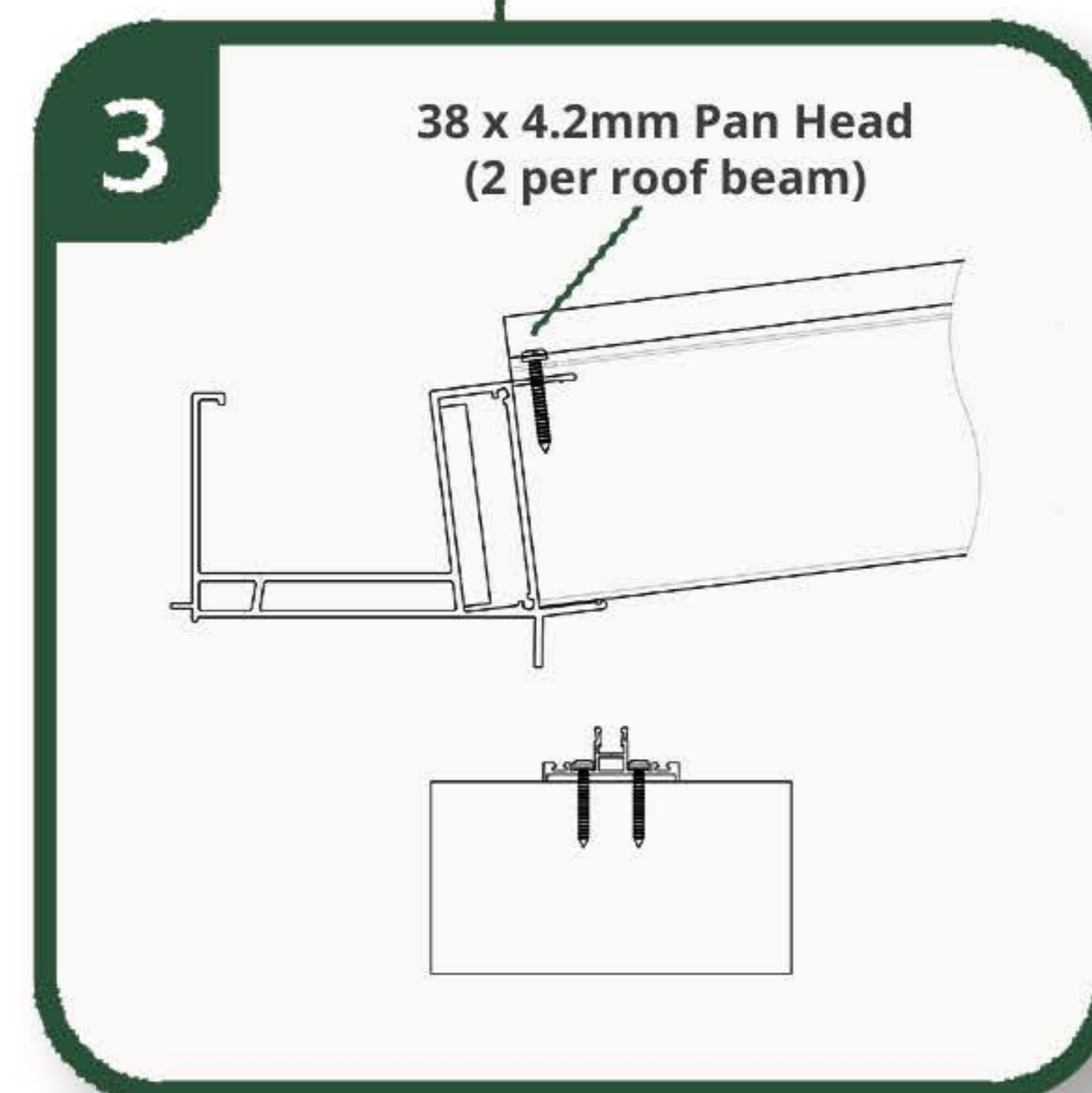
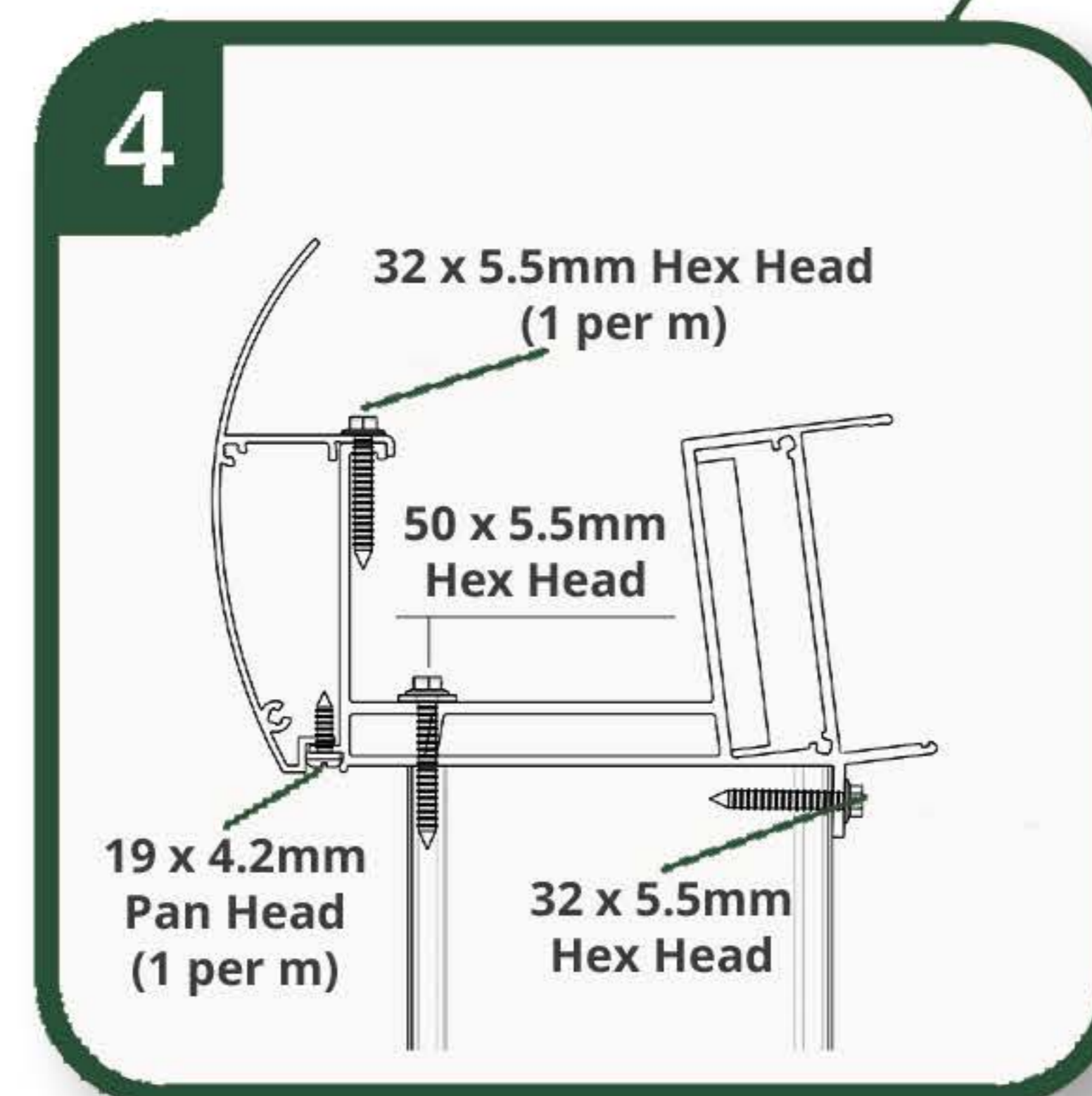
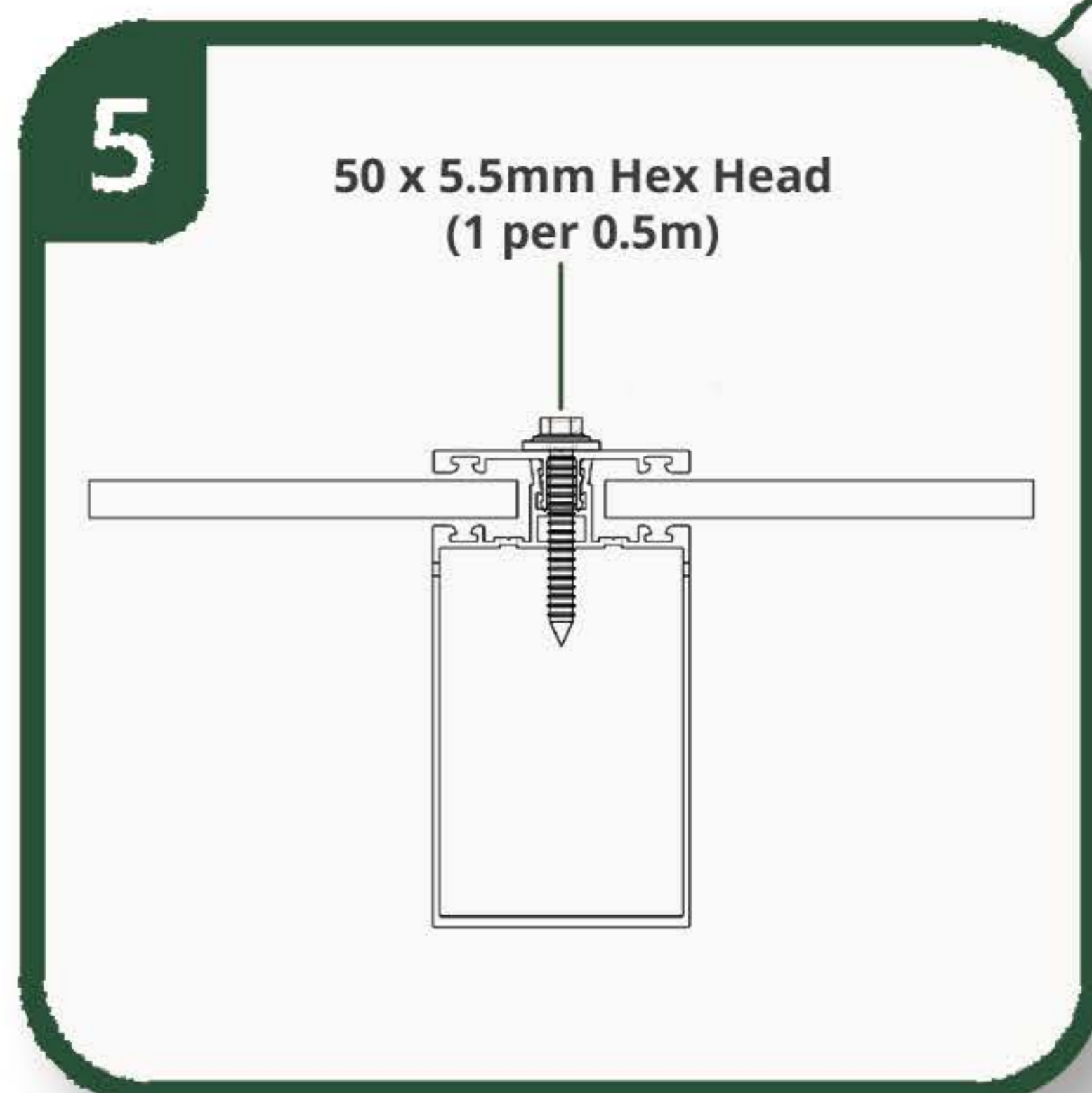
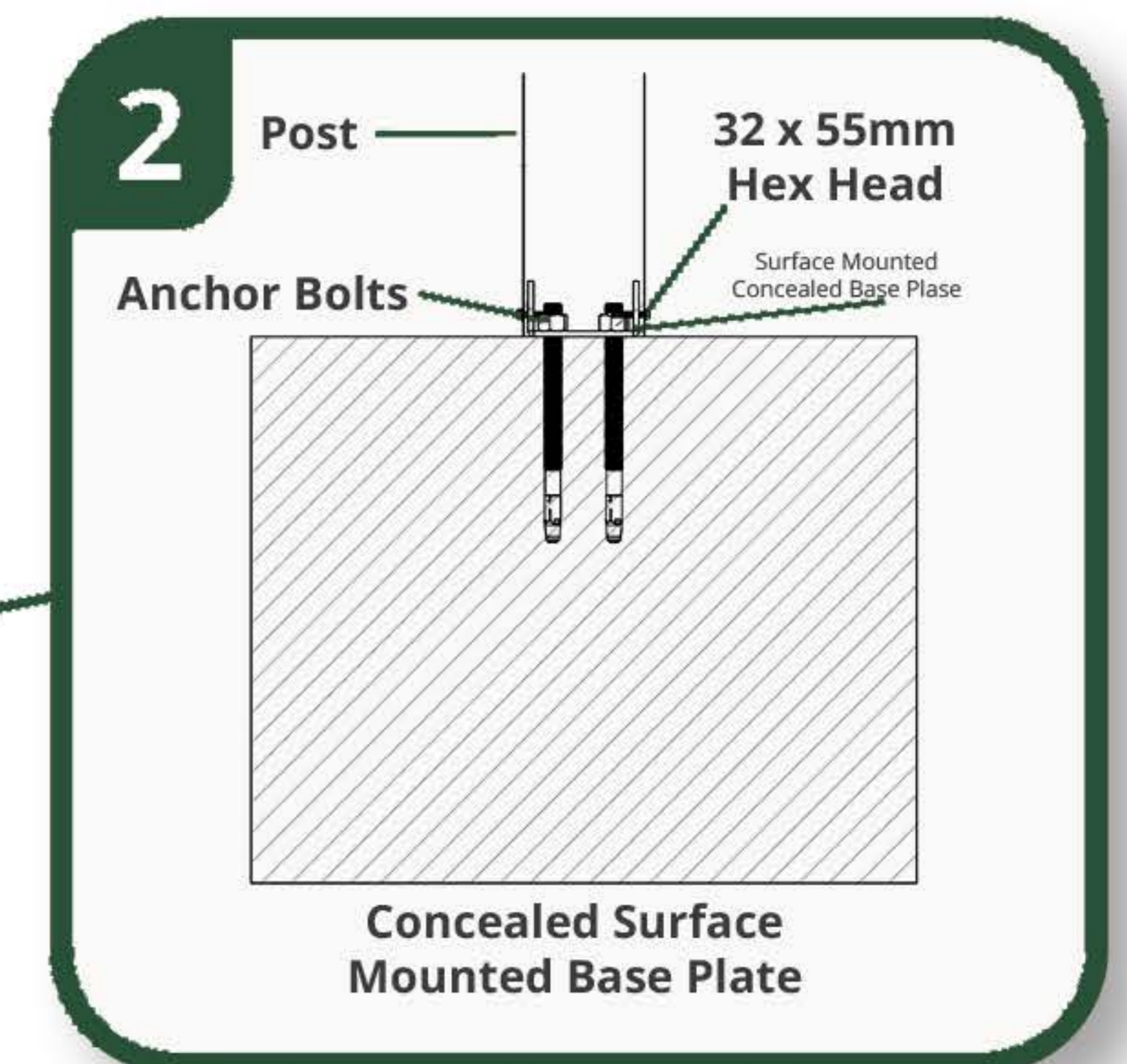
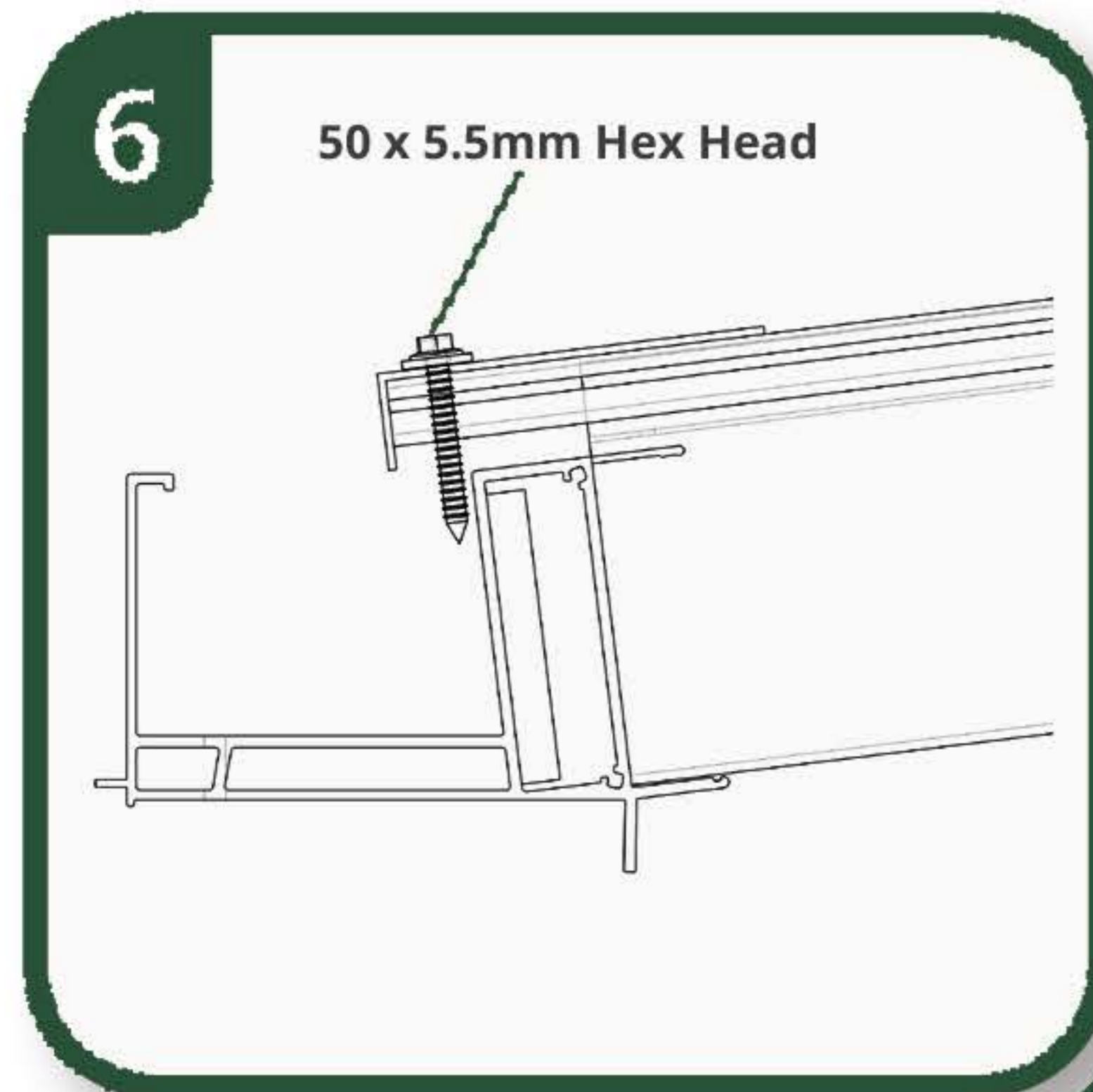
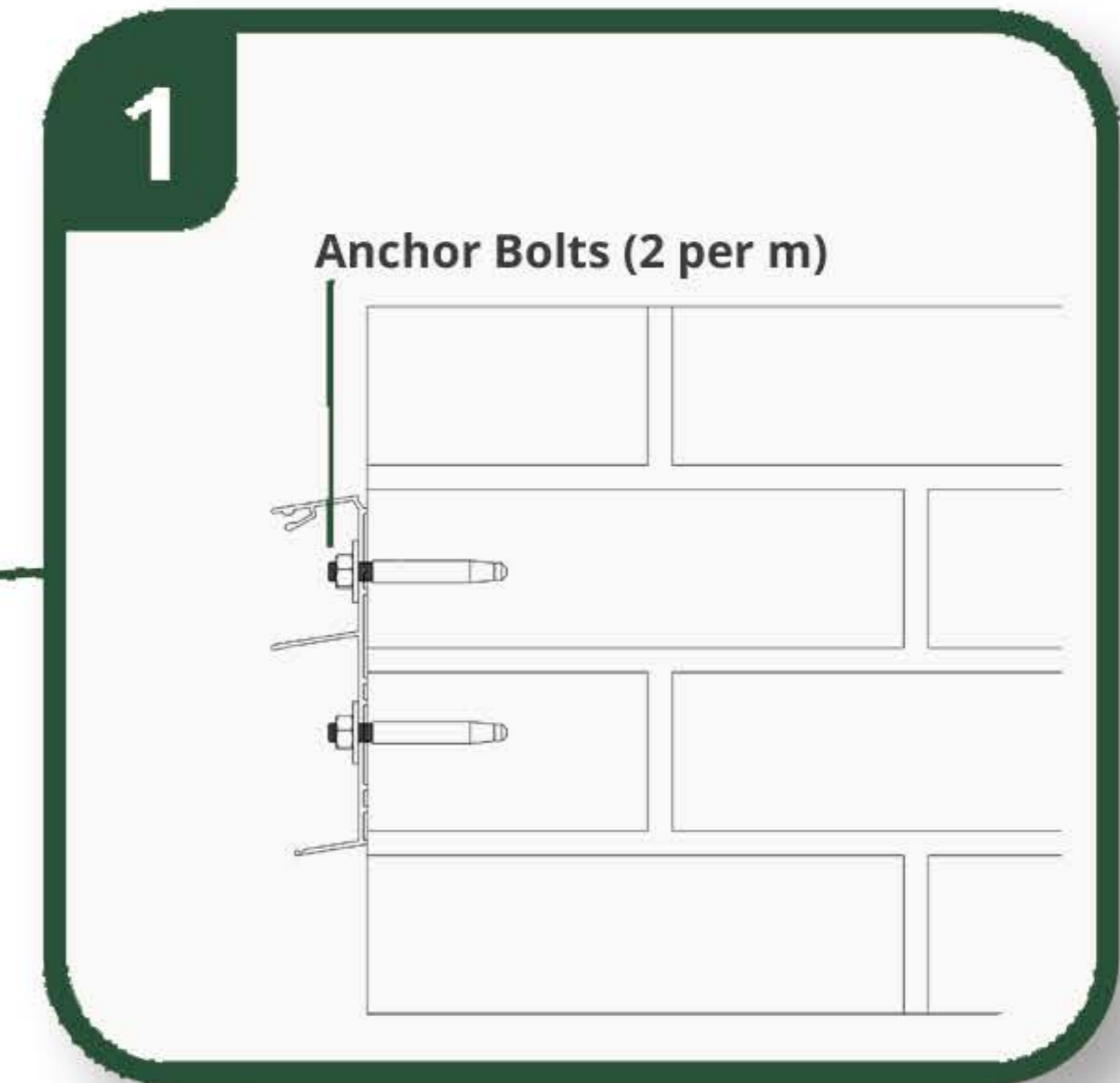
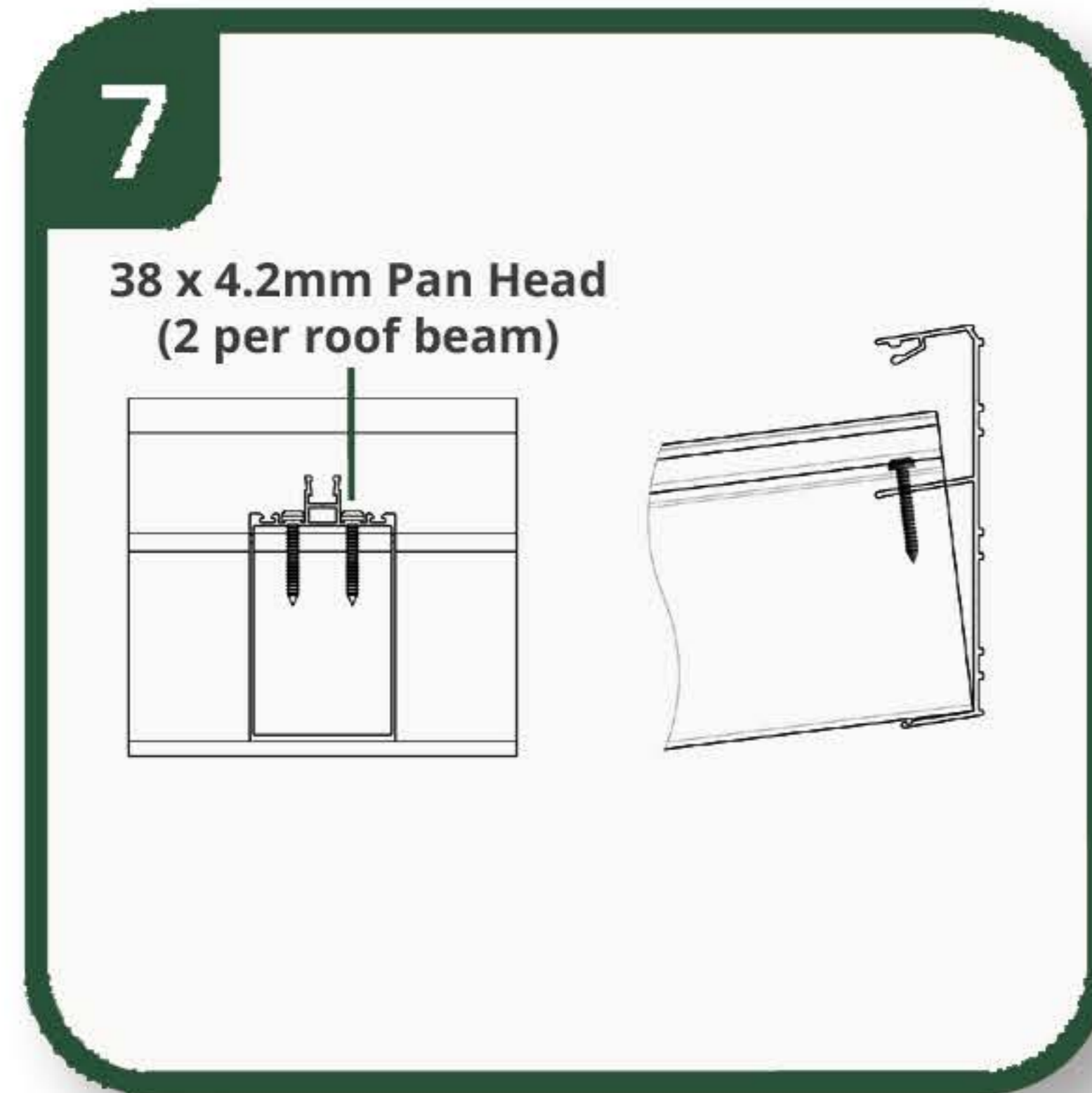
25mm

13. Nosing For Polycarbonate



Lean-To Veranda

Fixing Details





Samson

T: 01933 44 88 44

E: enquiries@samsonawnings.co.uk

W: www.samsonawnings.co.uk