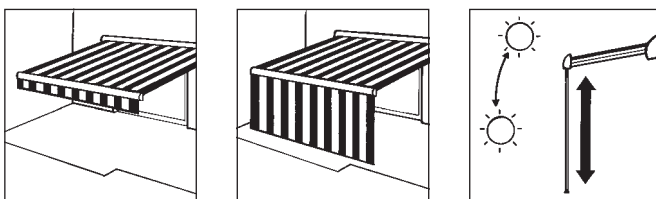


Optional accessories



markilux shadeplus

for the markilux 1000/1000 stretch, 1100, 1300/1300 stretch, 1500, 1600/1600 stretch, 5010 and 6000



**Create new living space in the open air
by means of the markilux shadeplus / drop valance**

With the shadeplus accessory, the awning within an awning, you can have as much or as little shade you wish - whatever the position of the sun and without having to change the pitch of the awning itself. Simply extend the drop valance to the required depth (maximum 210 cm* overall drop).

As an alternative to a gearbox with stainless steel winding handle the markilux 1000/1000 stretch, 1500, 1600/1600 stretch und markilux 6000 can be fitted with a motor drive.

The drop valance cover is fitted with a weighted bottom profile. With this improved sunshading product that also provides privacy, you can create a cozy area in the open air. During the day it keeps the sun out; at night it keeps the cool air at bay.

In contrast to awnings which only give "more shade" by being tilted at a greater angle, those fitted with the markilux shadeplus still provide a maximum of headroom - so giving the immediate impression of realising "more space".

On request it is usually possible to fit a shadeplus to an existing markilux folding-arm awning at a later date

not model dependent - please consult the configuration possibilities

Optional accessories

markilux system coverboard

Protection with transparent lightness for the markilux 1000 and the markilux 930 swing

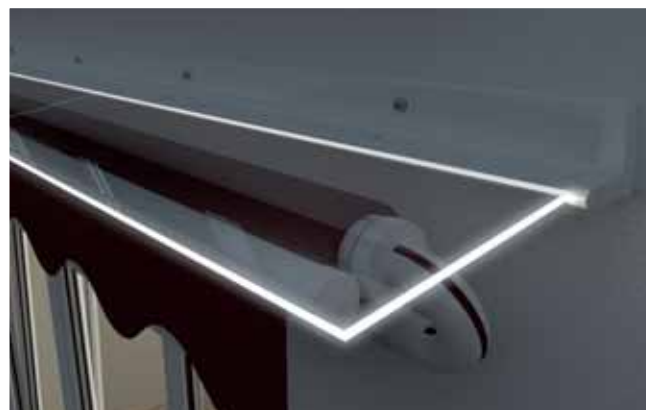
The markilux system coverboard unites sheer elegance and sensible protection from rain and dirt. The slim aluminium profile of the system coverboard - powder coated the same as the awning - and the transparent plexiglass sections underline the lightness of the open awning systems.

An LED lighting strip, which can be integrated into the wall profile, is optionally available. In the evening it provides an agreeable lighting effect. The lighting is operated via a standard on/off switch.

The systematic assembly process is easily understood and means quick fixture. To start with the aluminium profiles are fitted to the wall and then the transparent plexiglass sections are slid into the profile and fixed in place with screws from above through the wall profile.

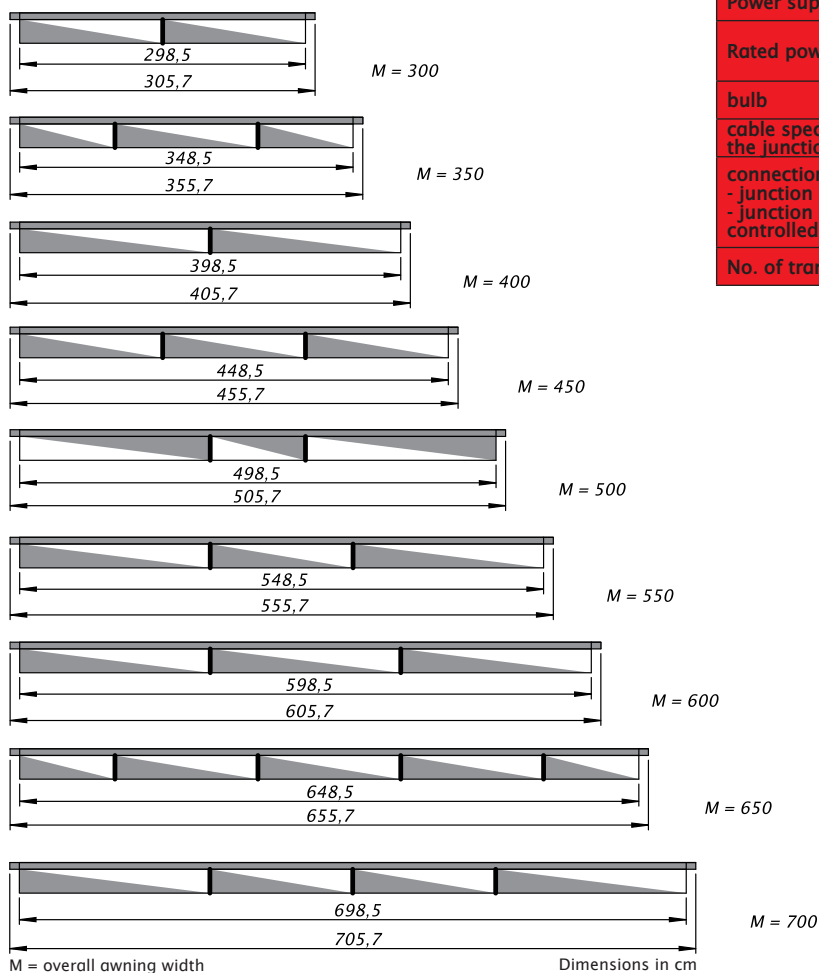


without lighting



with lighting

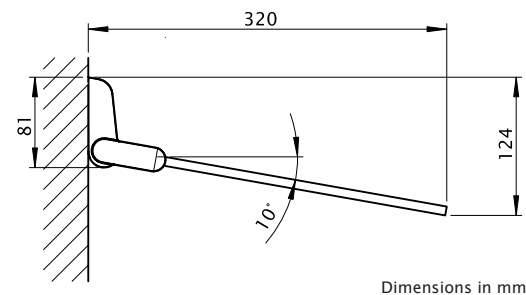
Available system coverboard widths with distribution of the plexiglass sections



Technical specification of the lighting:

Power supply via transformer	230 V, 50-60 Hz (2.5 A)
Rated power	3 Watt per metre max. 21 Watt at a length of 7 m
bulb	LED lighting strip
cable specification in the junction box	3 x 0.75 mm ²
connection - junction box/transformer - junction box/radio-controlled dimmer	2 x 0.75 mm ²
No. of transformers	1 transformer

Side view of the system coverboard





the markilux Infra-red Heater

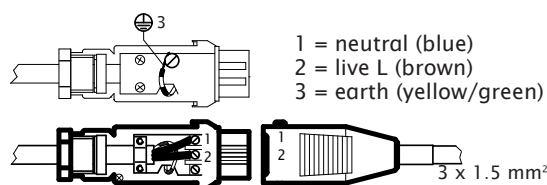
- Cozy warmth when it turns cooler. Feel the warmth in an instant and enjoy more of the evening.
- Caressing warmth with no heating up phase and a pleasing lighting effect at the same time.
- Powder-coated aluminium housing in an attractive design, colour matched to your markilux awning
- the housing is weather and splash proof (IP24) - the heater can be left in situ all year round
- A saving of at least 30% in energy costs in comparison with hitherto used gas or quartz systems
- Lamp life approximately 5,000 hours
- Radio remote control is possible with the Heat Receiver RTS
- Easily fixed to any wall.
- The heater direction can be adjusted via the fixture bracket.

Infrared Technology

PHILIPS  **HeLeN**



- Warms people and not the air
- Creates noticeable heat in the protected area under the awning within a radius of approx. 9-12 m².
- For the best results it should be fitted at a height of approximately 2 m.
- Easily connected to the mains using a coupling plug



Power supply	230 Volt / 50 HZ (6 A)
Rated power	1400 Watt
Dimensions	460 x 145 x 75 mm
Weight	approx. 1.8 kg

Optional accessories



Fluorescent lighting

for the markilux 6000

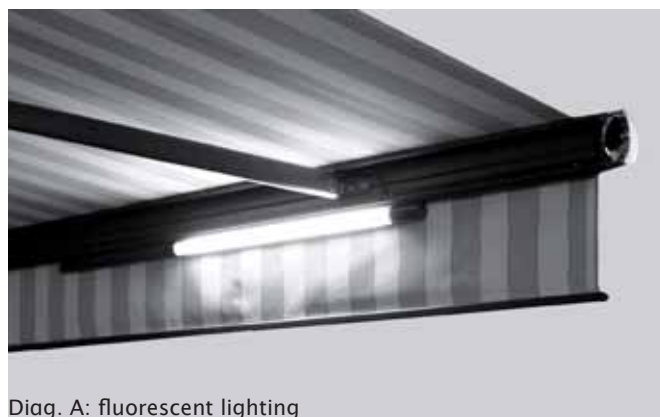
The fluorescent lighting tubes are suspended from the front profile and give pleasant lighting - distributed evenly over the whole area beneath the awning.

Operate the lighting via a normal switch or simply by the push of a remote control button.

A dimmer - only possible with a normal hard-wired switch - makes it possible to regulate the light intensity yourself.



Diag. B: spot lighting



Diag. A: fluorescent lighting

Spot lighting

for the markilux 6000

Up to six spotlights can be fitted to the front profile. They can be adjusted individually so that the area under the whole awning can be bathed in a pleasant light according to your requirements.

Mit einem zusätzlichen Dimmer kann die Helligkeit individuell eingestellt werden.

Note: for sizes and the distribution of spot or fluorescent lighting please consult the table for the markilux 6000

Optional accessories



Vibrabox

for folding-arm awnings fitted with a radio-controlled motor - sensor for dynamic wind loads

Oscillation and inertia sensor based on RTS technology for the wireless transmission of wind signals. Battery operated so no power supply or cabling required. Fixture is to the inside or outside of the front profile. Nine levels of sensitivity can be selected. Compatible with all RTS receivers capable of receiving wind signals. The vibrabox is available in white or brown.

Sunis

Solar Cell Operated Sunlight Sensor

The Sunis Sensor RTS will protect you from the sun and is flexible enough to be fitted to any façade. It sends extension and retraction signals to any blind or awning fitted with a **radio-controlled motor** without needing to be wired to the mains supply. Via a built-in solar cell it draws its power from the sun.

Up to three Sunis sun sensors can be linked to any one radio-controlled motor. But one Sunis sun sensor can also operate a number of radio-controlled motors.



sun and wind sensor

The Intelligent Automatic Weather Control System

Sun and wind sensors are particularly practical, if you wish to protect indoor furnishings from fading or to prevent the interior of the house heating up excessively.

Should the weather change the automatic sensors will make sure that the blind or awning behaves correspondingly. Your markilux will extend automatically as soon as the sun appears or retreat into its cassette if the wind picks up significantly.

Optional accessories

Hand-held radio remote control

"Getting to grips with markilux" is now possible in the form of two new radio remote controls using 433 MHz technology in a 1 and 4 channel version.

The attractive shape and ergonomic design characterise these elegant and easily operated hand-held remote controls.



Stainless Steel Winding Handle

Get to grips with real markilux quality

The markilux stainless steel winding handle, which is supplied with those awnings that have a gearbox, marries timeless elegance with quality that you can see and touch.

The low-noise bearings and the ergonomically shaped grips make it impossible not to notice the quality when operating the awning.



External radio receiver for retro-fitting to hard-wired motors

The external radio receiver is available in two versions: as the **Universal Slim Receiver RTS** with open cables protruding and as the **Universal Slim Receiver RTS Plug** for immediate connection to a connecting plug (Hirschmann).

It is intended that these external receivers in a small, compact housing be used to convert hard-wired motors to remote control operation at a later date. A radio-controlled automatic weather system can also be linked to it.

Both receivers allow the following modes of operation:

- Individual operation, i.e. a single radio remote control operates a single receiver (= motor or awning)
- Group operation, i.e. a single radio remote control operates more than one receiver (= motor)
- Multiple operation, i.e. more than one radio remote control operate a single receiver

The Universal Slim Receiver RTS

is integrated into the circuit using wire connectors.



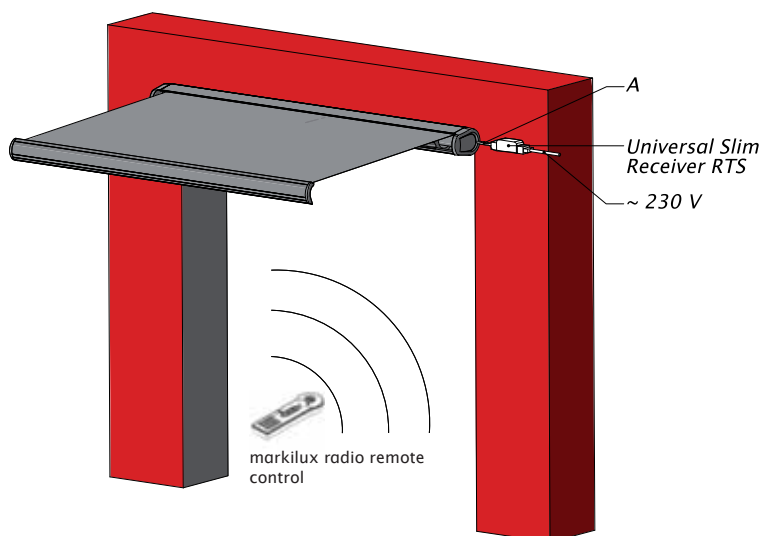
Diagram A: Universal Slim Receiver RTS

Universal Slim Receiver RTS Plug

is linked via a plug connection directly to the motor. This guarantees a good seal and easy, foolproof installation.



Diagram B: Universal Slim Receiver RTS Plug



A = connection to existing motor drive

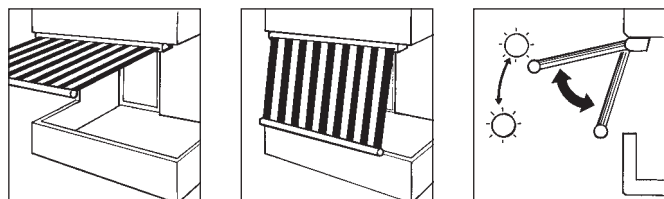
Technical specifications:

(Universal Slim Receiver RTS / Universal Slim Receiver RTS Plug)

Operating voltage	220 - 240 Volt / 50 - 60 Hz
Switching contact capacitance of the relay	3A / cos phi > 0.6
Operating temperature	- 30°C to + 70°C
Protection category	IP 54
Protection class	I
Reception frequency	433.42 MHz
Dimensions (B x H x D) in mm	Diagram A: 105 x 32 x 33 Diagram B: 115 x 32 x 33
Overall length	1.50 m with cable (in the case of the Universal Slim Receiver RTS)

Optional accessories

Pitch adjustment gear for the markilux 1300



Ideal for more sun protection on the balcony

With the aid of a winding handle, two folding arms with a maximum extension of 300 cm can - with the awning extended - be silently raised or lowered from 4°-54° or from 35°-85°.

The eye used to alter the pitch of the awning is attached directly to the gearbox, which is optionally on the left or the right. All the components needed to adjust the pitch of the awning are hidden away inside the torque bar and so protected from the elements.

A fine tuning mechanism enables the arms to be levelled with ease.

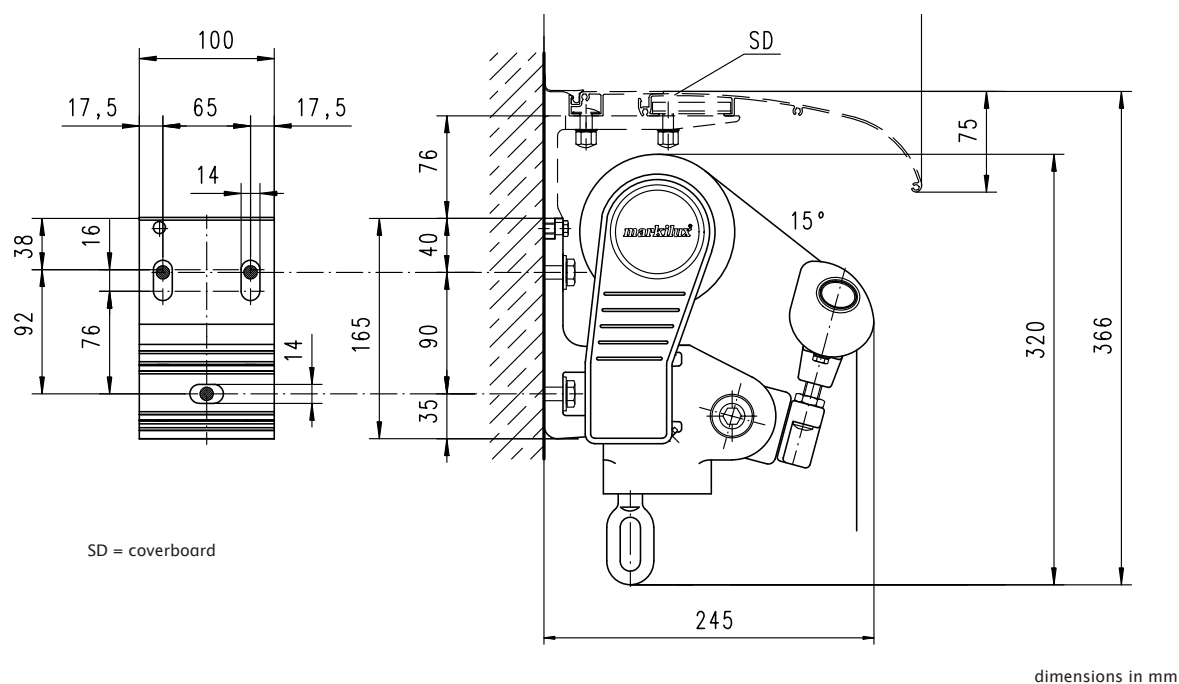
The pitch adjustment gear is supplied in white with white awnings and in black with any other colour.



N.B!

The pitch adjustment gear may only be used when the awning is **extended**. Attempting to adjust the pitch with the awning closed will cause the system to malfunction!

Extension in cm	150	200	250	300
Awning width in cm	200	250	300	350
Smallest awning width with bespoke arms (surcharge)	200	238	288	338



Optional accessories

Insertable side blind

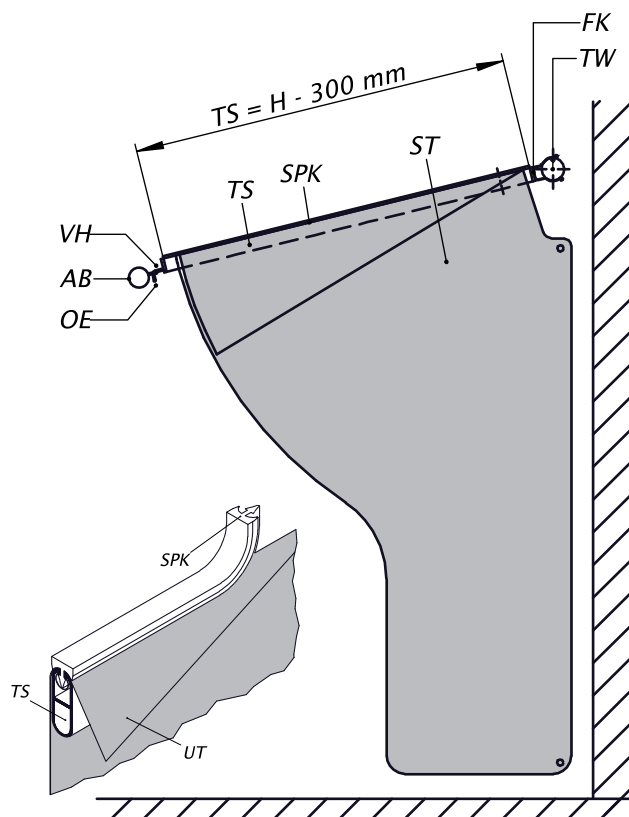
for the markilux 1000/1100/1300/1500/1600/3300 and markilux 5010

The insertable side blind is the simple way to guarantee your privacy and as such is the perfect accessory for your folding-arm awning. The side blind must be removed before the awning is retracted. Awnings fitted with an insertable side blind must not be fitted with automatic weather control mechanisms, which send the awning in and out automatically.!

Fitting an insertable side blind

Extend the awning and remove the front profile end cap. Slide the clamp plate with eye into the lower keyway in the front profile and screw it tight. Replace the end cap. Push the spring clip on the one end of the side blind profile (profile length = projection less 300 mm) onto the roller tube of the awning. Adjust the telescopic hook on the side blind profile so that it drops into the eye in the front profile. If this is not possible, because the awning is too steeply angled, then shorten the side blind profile. Lay the side blind cover over the profile from the outside and line it up so that the rear edge is parallel and close to the wall.

Knock the specialised spline into the profile to secure the cover. Cut off any excess fabric. To secure the cover to the wall and prevent the side blind from flapping stainless steel eyelets have been inserted into the rear edge of the cover.

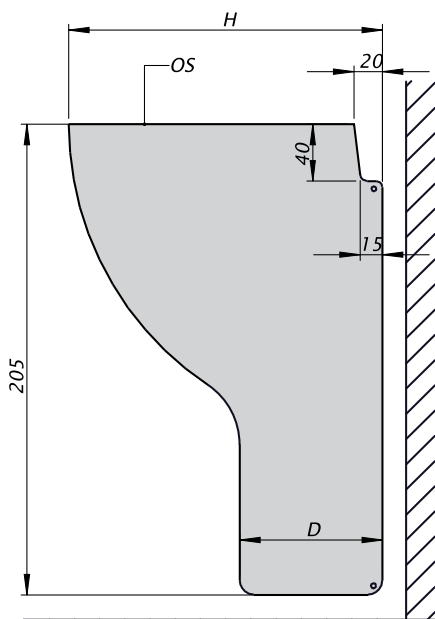


- AB = front profile
- FK = spring clip
- OE = eye
- SPK = specialised spline
- ST = side panel cover
- TS = cover profile
- TW = roller tube
- UT = excess cover fabric
- VH = adjustable hook
- H = extension

3 distinctive shapes are available:

Shape 1:

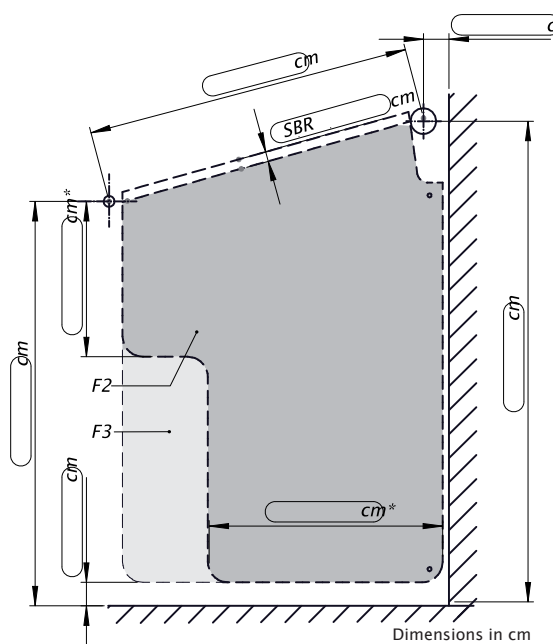
Please refer to the table and give the dimensions when ordering



H	150	200	250	300	350	400
max. W	45°	40°	30°	25°	20°	15°
D	90	140	190	240	280	340

Shapes 2 and 3:

Please give the dimensions indicated when ordering



- F2 = shape 2
- F3 = shape 3
- OS = without hem
- SBR = hem width (measured flat)
- H = extension
- D = cover width at bottom
- W = pitch
- * = dimensions only required for shape 2