

Total comfort for every conservatory or patio roof



We reserve the right to make technical alterations. December 2006

Conservatory awnings
WGM
Sottezza/
Sottezza Lux



www.weinor.co.uk

WGM Sottezza/Lux 1

www.samsonawnings.co.uk

weinor
THE AWNING
*... more than
sun protection*

(0800) 328 6250



WGM Sottezza Lux under patio roof



WGM Sottezza under patio roof

The awning that fits underneath

The WGM Sottezza is designed as a shade to fit underneath a patio roof while leaving enough space for the air to circulate. It shades you from the light when you want the sun's warmth but not its glare.

We reserve the right to make technical alterations. December 2007

Technical details

Max. size

WGM Sottezza

- Single section: up to 600 cm wide, up to 600 cm projection angle
- Multi-section: up to 1000 cm wide, up to 500 cm projection angle
- With gear drive 400 cm max. wide, up to 400 cm projection angle

WGM Sottezza Lux

- Single section: up to 500 cm wide, up to 600 cm projection angle
- Multi-section: up to 650 cm wide, up to 500 cm projection angle

Technical equipment

- Tensioning elements fitted into the guide rails
- **WGM Sottezza** is available with or without hood, or cassette bottom

- Pitch angle at least 5° up to maximum 45°

Additional equipment in the WGM Sottezza Lux

- Always motor driven
- Always with a casing bottom section
- Separate light bar
- Factory fitted low voltage set of lamps
- Integrated electronic transformer set
- Power output matched to the number of lamps

Pattern

- Large selection of fabrics from the current weinor collections

Powder coating

- In 47 standard colours
- Contrasting top and section end caps in 6 standard colours

- Surface permanently resistant to scratching and weather

Drive

- Motor-driven as standard

Options

Drive

- Remote controlled drive
- Crank operation on **WGM Sottezza**

Controls

- Sun and rain monitor

Accessories

- Heating system Tempura

The technical product highlights of the WGM Sottezza/WGM Sottezza Lux**Optimal sun protection**

The **WGM Sottezza** is designed as a shade underneath a patio roof.

WGM Sottezza

WGM Sottezza fitted underneath a patio roof

Roof angle up to 45°

The unit always runs from above to below and can be used with roof inclinations from 5° to 45°.



Support wire with bracket

The support wire

On units with larger dimensions a support wire is fitted to the **WGM Sottezza** so as to reduce the sag in the fabric.

Motor drive

The standard motor has automatic reverse for tensioning.



WGM Sottezza with hood

Fabric tension

The tensioning elements in the side channels make sure the fabric is kept taut.

i Because the **WGM Sottezza** is used in areas protected from the wind and rain (under a roof) the tension in the fabric has been reduced. The resulting sag does not have any effect on the unit's functionality.

The technical product highlights of the WGM Sottezza/WGM Sottezza Lux**WGM Sottezza Lux****The Lux version**

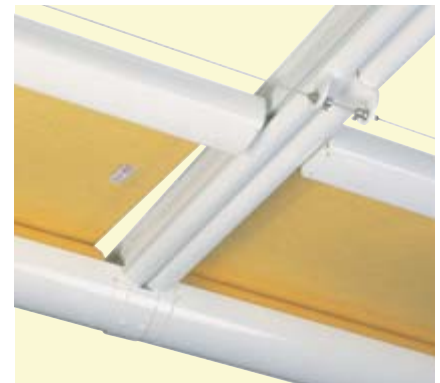
This has a double comfort function; in sunlight it can be used as a shade, and when it gets dark it makes stylish patio lighting. The **WGM Sottezza Lux** comes with a motor as standard, crank drive is not available.

- Factory fitted light bar, designed to match the **WGM Sottezza**
- Factory fitted low voltage lamp set with integrated electronic transformer set
- The lamps can swivel and are in the same colour as the light bar housing and the awning
- The **WGM Sottezza Lux** lamps can be dimmed when used in conjunction with a **WeiTronic Combo remote control** and a **WeiTronic remote control unit**

**WGM Sottezza coupled, 2 sections****The joint**

Above a certain width two single units can be joined and be driven by just one motor. Both sections then open and retract at the same time. Two section units are fitted with a motor as standard.

If the sections of a two section unit are to be moved individually, a second motor is required.



*On a two section **WGM Sottezza** driven by one motor, both sections open and retract together.*

*The joint is concealed***WGM Sottezza Lux coupled**

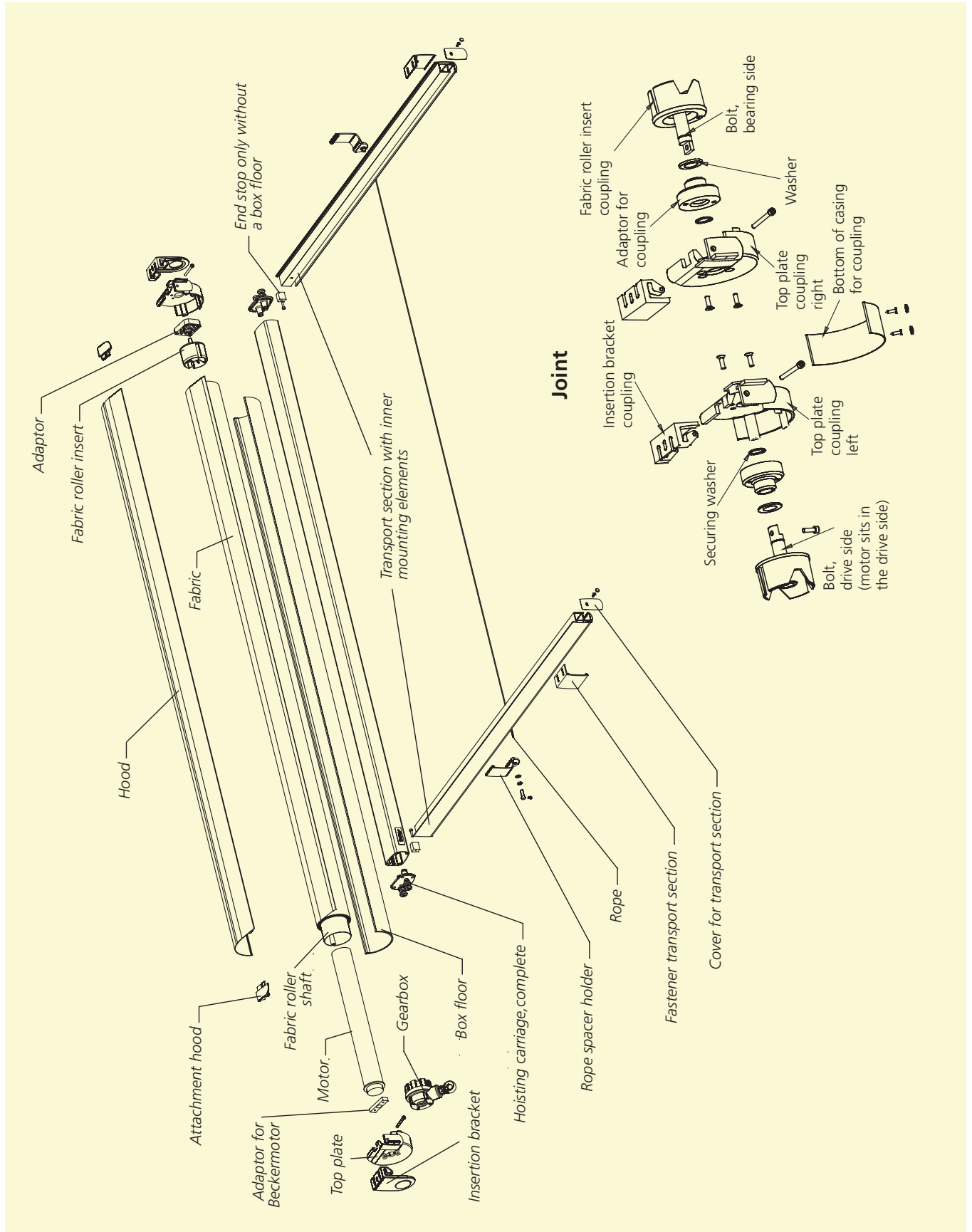
Product benefits at a glance

Designation	Material	Surface treatment	Qualities	Your advantages
Casing section Front rail Side channel Hood	Aluminium, extruded	Chrome-free pre-treated, powder coated	Surface permanently resistant to scratching and weather	You choose the powder coating colour for your WGM to match your patio roof. Pre-treating the profiles prevents corrosion altogether, even on damaged surfaces.
Cord in the tensioning system	Tex cord as used in ocean racing			Robust, tear and tension proof, runs quietly
Tensioning system	Integrated into the side channels			The gas filled springs in the tensioning system ensure even tension in the fabric.
Carriage system	Cast aluminium; plastic precision rollers	Cast parts powder coated		Quiet secure running
Insertion bracket, bracket, side channel	Aluminium, extruded or cast aluminium	Machine-edged, chrome-free pre-treated, powder coated	Surface permanently protected	Protection from corrosion, down to the last detail
Awning material	Acrylic		Spin-jet dyed, impregnated	The weinor fabric collection offers a wide variety of sophisticated designs.
Drive motor			Precisely manufactured, robust design	The awning is opened and retracted by an electric tubular motor integrated into the front rail and operated by, for example, a wall switch.
Light bar on WGM Sottezza Lux	Aluminium, extruded	Chrome-free pre-treated and powder coated	Highly resistant to breakage, surface permanently resistant to scratching and weather, dimmable	Can replace patio lighting.

Product options at a glance

Designation	Material	Surface treatment	Qualities	Your advantages
Awning fabric from external suppliers	Acrylic	Spin-jet dyed, impregnated	Warp printed watertight	Even greater selection of unicolour and striped fabrics.
	Soltis 92	Special coated polyester fibre	Micro-vented, light permeable	Light and air permeable sunshade
Drive crank mechanism with limit stop	Gearing 3:1	Gear casing powder coated in black (similar to RAL 9005), white (similar to RAL 9016) or grey (similar to weinor 7319)	Gears with limit stop, easy to operate	Completely free from operating error. The limit stop prevents the fabric from rolling up incorrectly.
Remote-controlled drive				Upon request, the integrated tubular motor can be fitted with a WeiTronic receiver. The WeiTronic Remoto handheld remote control makes for easy operation of the awning. See the Accessories section for more details.
Heating system Tempura	Corrosion-free materials	Chrome-free pre-treated, powder coated	Splash-proof, for use indoors and outdoors	The Tempura heating system can be mounted directly on the wall of the house. Operation is by a wall switch or remote control. See the Accessories section for more details.

Exploded drawing of the WGM Sottezza



We reserve the right to make technical alterations. December 2007

Product option gear drive on the WGM Sottezza

The gear drive

If the **WGM Sottezza** is fitted into a small space it can also be opened and retracted with a hand crank.

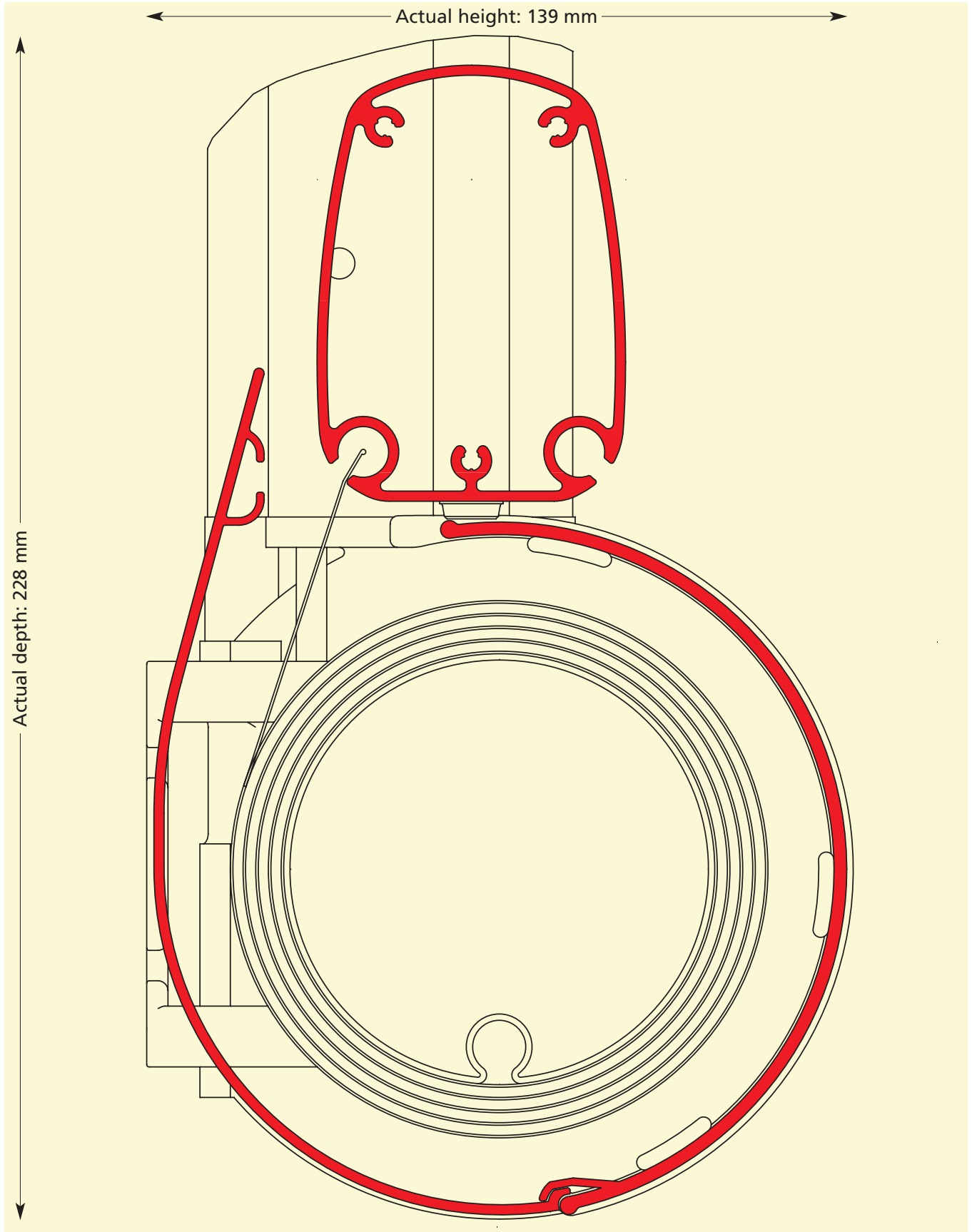
The **maximum dimensions** for this version are 400 cm wide and 400 projection angle.

The fabric is tensioned by pulling the front rail back with the crank.

The sag caused by this does not affect the unit's function.

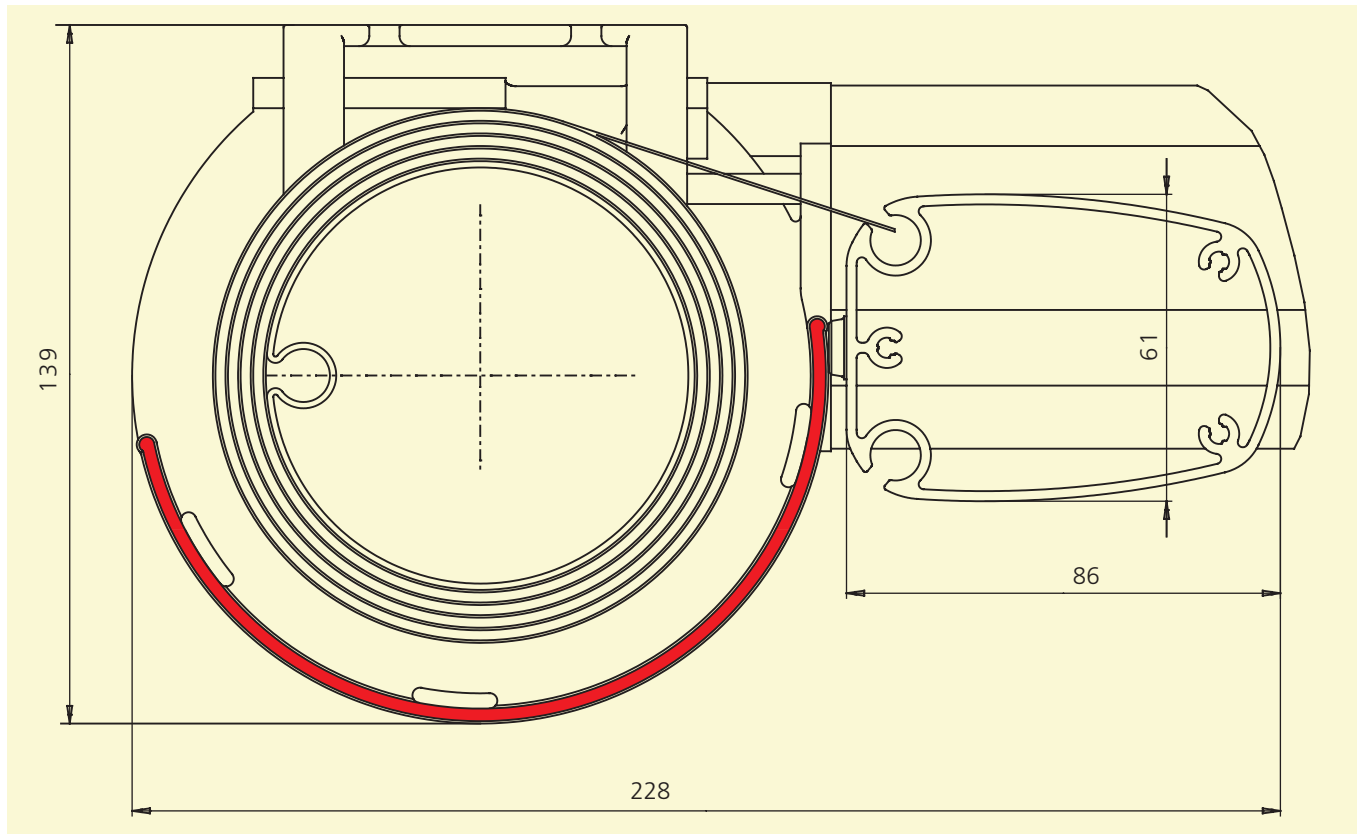


Cross sectional drawing of the WGM Sottezza – not to scale



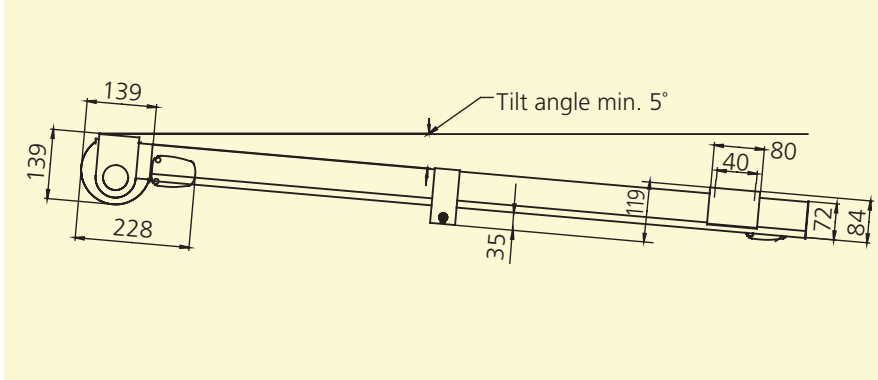
We reserve the right to make technical alterations. December 2007

Cross section and dimensions

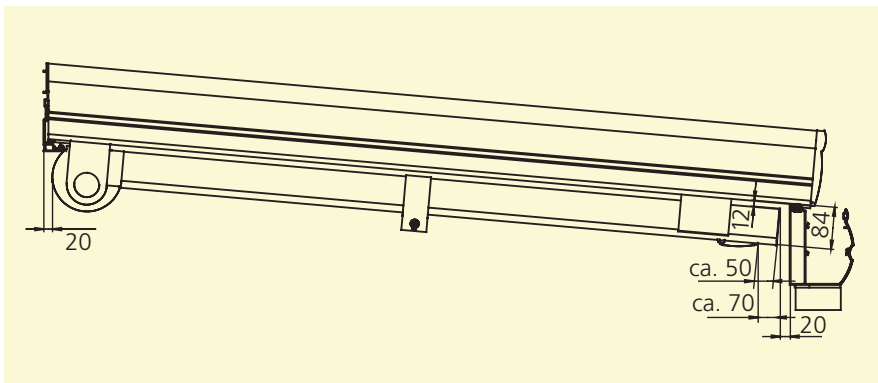


WGM Sottezza without a casing bottom section has the same dimensions as the **WGM Sottezza** with a bottom section.

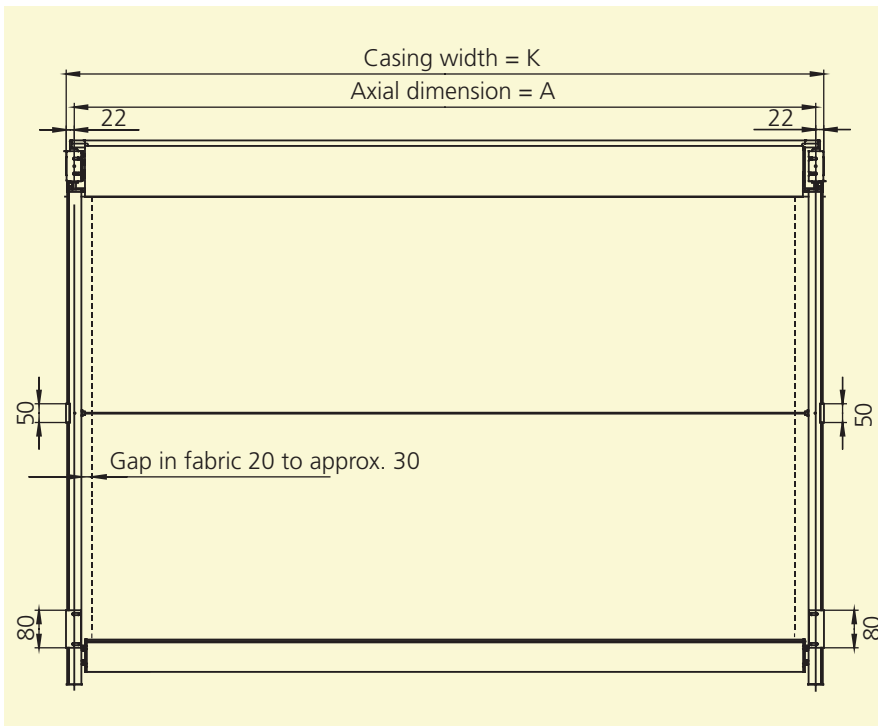
Overall views



View from side **WGM Sottezza**



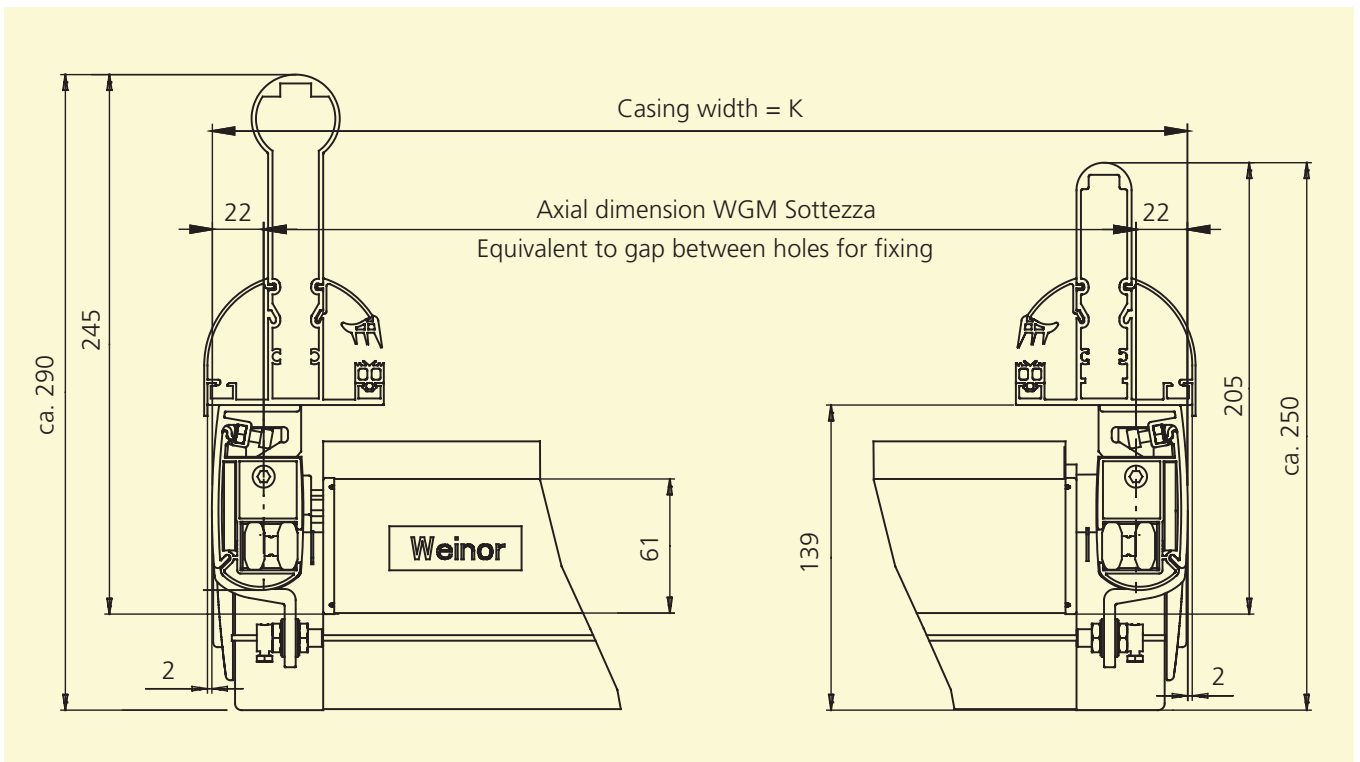
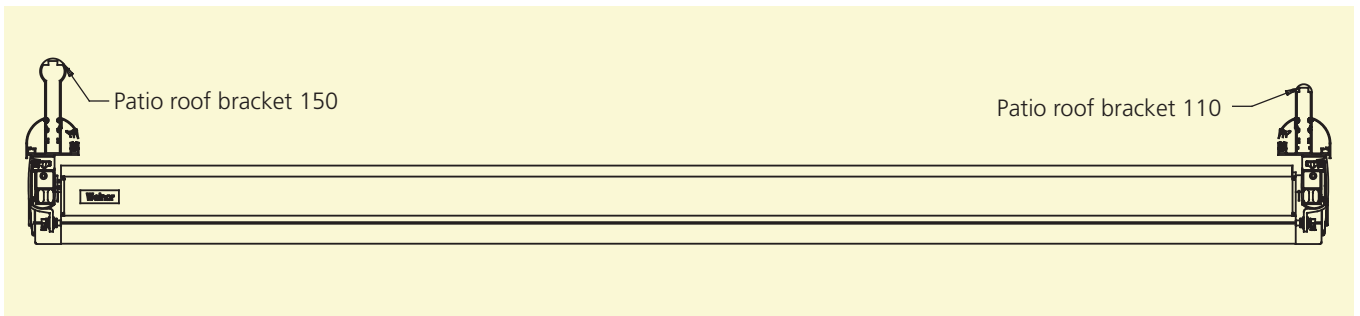
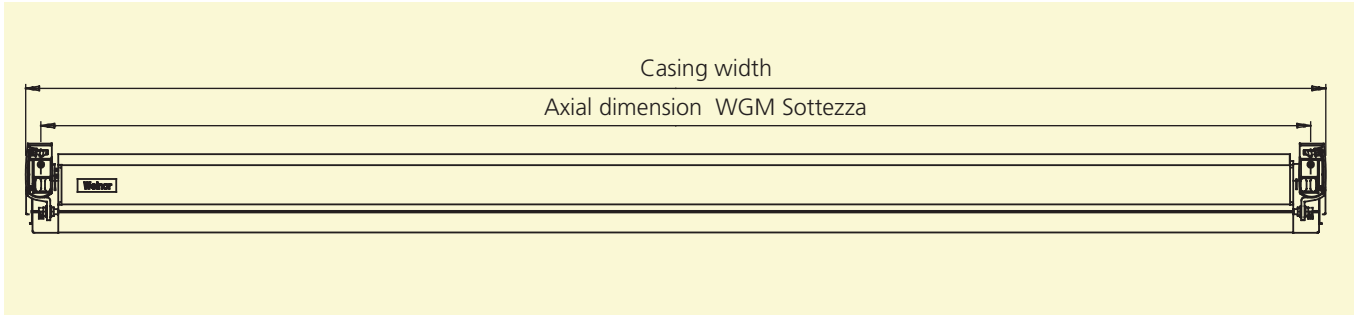
View from side **WGM Sottezza** with a patio roof



View from above **WGM Sottezza**

We reserve the right to make technical alterations. December 2006

View from front of WGM Sottezza on a patio roof



We reserve the right to make technical alterations. December 2006

Type designations

Type key

Example 1

WGM Sottezza 0-1-1

Type key:

0 = No. of bends

1 = No. of sections

1 = No. of motors

Establishing dimension of projection =

End of casing to end of side channel cover plate

Casing width = section width

End of casing to end of casing of a single section unit or of a part of the unit (= section)

Overall casing width = unit width

End of casing to end of casing of a several parts of the unit (= sections)

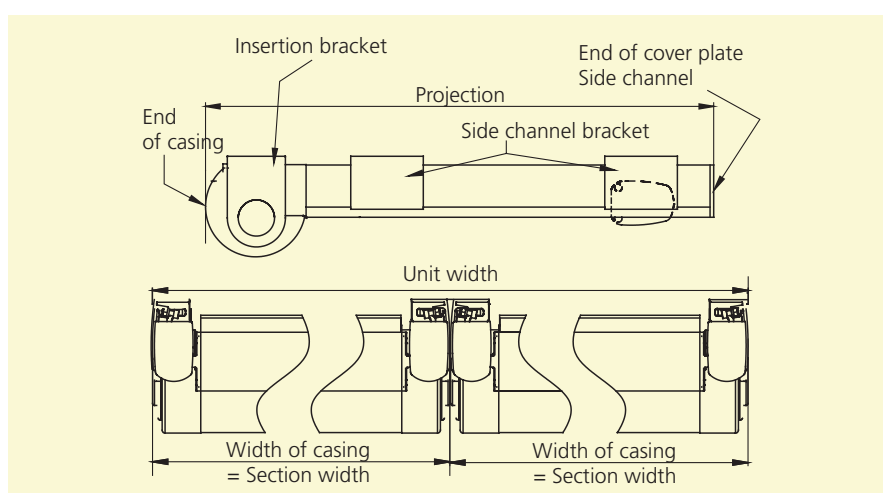
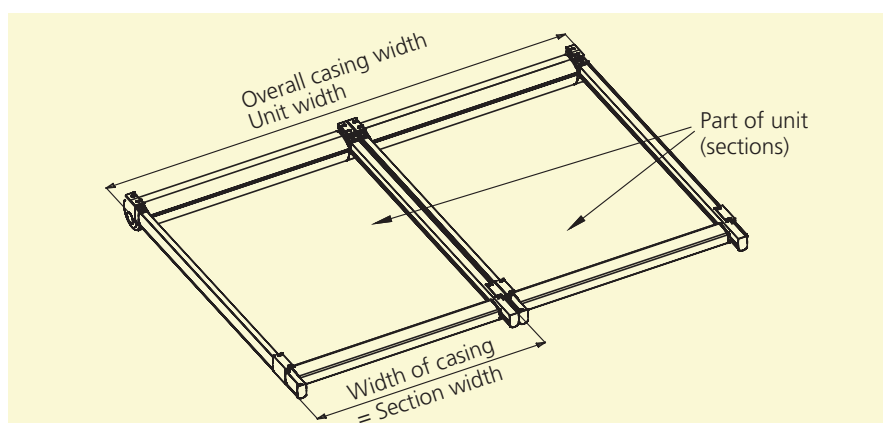
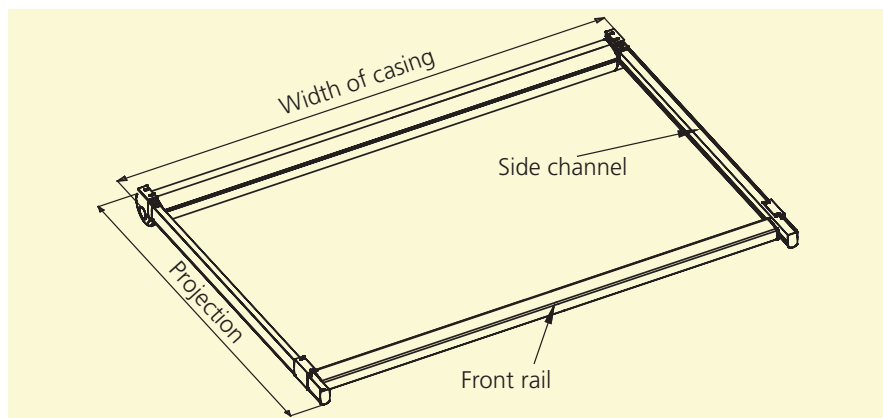


Fig.	Version WGM Sottezza	Number of sections	Motors	Drive	Max. pro- jection in cm	Width of casing = Section width min. – max. in cm	Overall casing width = Unit width min. – max. in cm
	0-1-0	1	0	1	400	20 – 400	–
	0-1-1	1	1	0	400	75 – 400	–
	0-2-1	2	1		400	75 – 400	150 – 800

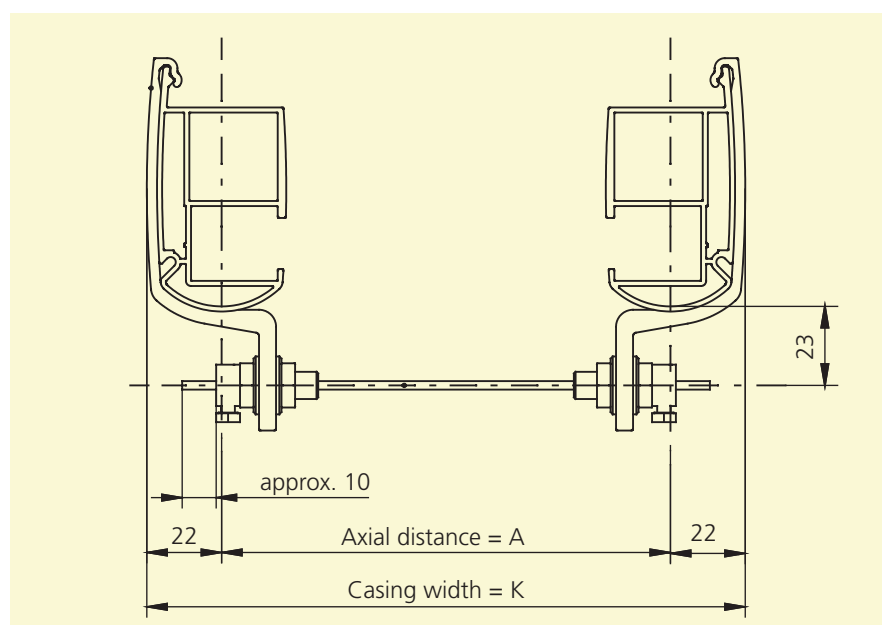
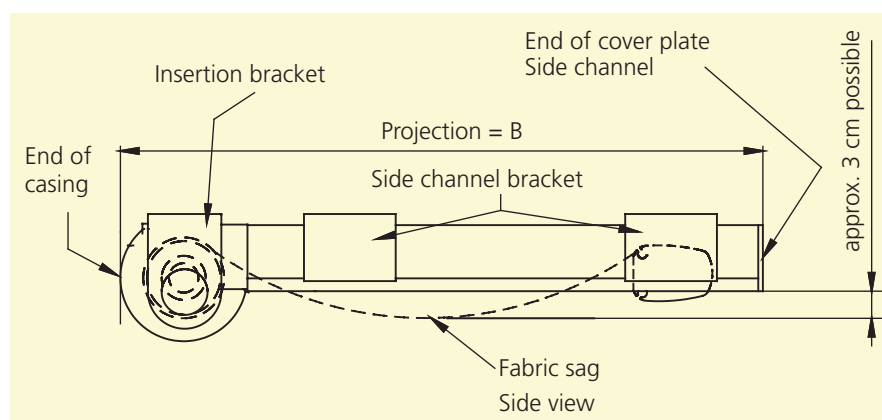
Use of the support wires

Support wires are used to limit the sag of the fabric. In the centre, this can be as much as 15 cm, even with support wires.

The positions of the support wires are calculated so that the side edges of the fabric (towards the front) after tensioning (retract the unit by about 2 cm towards the casing) cannot lie more than 3 cm below the bottom edge of the side channels.

The support wire brackets should be close to the side channel brackets so as to tension the wires better. They should also be distributed evenly at equal distances above the projection angle.

The customer is responsible for fitting the support wires as high as possible (so that the front rail runs above the support wire without touching it) in the oval hole in the support wire bracket.



Standard number of support wires

In the adjacent table the minimum numbers of support wires required are given for the projection B and the casing width K. The given number of support wires is included as standard in the price for the awning. Numbers and prices for additional support wires can be found in the current weinor price list.

The standard number of support wires is calculated as follows:

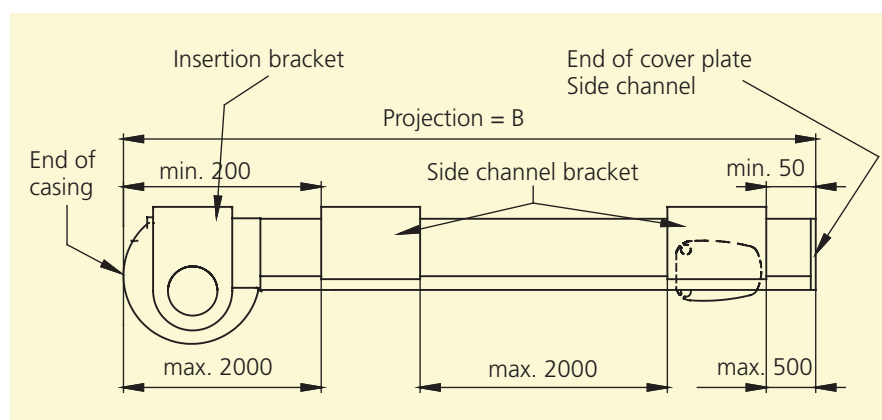
Width of casing in cm to 400	Projection in cm				
	bis 200	201–250	251–300	301–350	351–400
	–	–	–	–	1

1. Check whether the required dimensions are feasible.
2. If so, look for the standard number in the table above.
3. For multi-section units, add the numbers of support wires per section to obtain the total number.
4. For coupled units with sections of different sizes, the number of support wires is based on the number of support wires in the section with the highest number of support wires.

Method of attachment/number of attachment points

Standard method of attachment

The **WGM Sottezza** is attached from above as standard, i.e. under the rafter or other brackets located above.



Important dimensions for bracket positions (numbers are in mm)

Number of attachment points

In the adjacent table the minimum numbers of required attachment points are given for affixing the projection B to a patio roof (including 2 insertion brackets per unit/section).

The given number of brackets is supplied as standard.

In some cases it may be necessary to use more brackets than the standard number.

Fig.	Version WGM Sottezza	Projection in cm			
		up to 150	151–250	251–350	351–400
	0-1-0	4	4	6	6
	0-1-1	4	4	6	6
	0-2-1	8	8	12	12

Especially in locations subjected to high winds or under a weak roof, we recommend using more support wires and brackets than the standard numbers.

Units with Soltis fabric are only available in certain sizes.

Material for retrofitting a **WGM Sottezza** to an existing roof is not supplied as standard.

Please note the current weinor price list.

Use of niche brackets

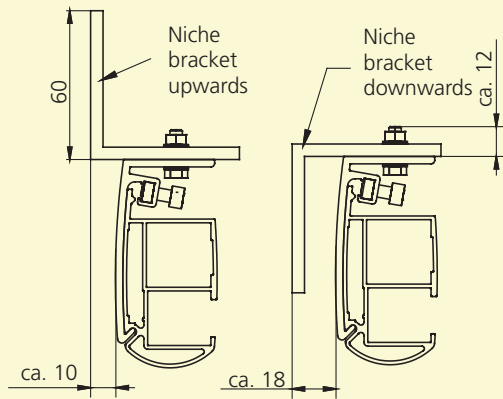
Explanation

The axial dimensions and casing widths for the **WGM Sottezza** shown below apply to single section units and give the total axial dimension and the total unit

width for coupled units up to a total unit width of 1000 cm.

Special brackets are necessary for coupled or multi-section units, to compensate for the difference in the niche bracket to the bottom edge of the roof bracket.

Fitting niche angle bracket

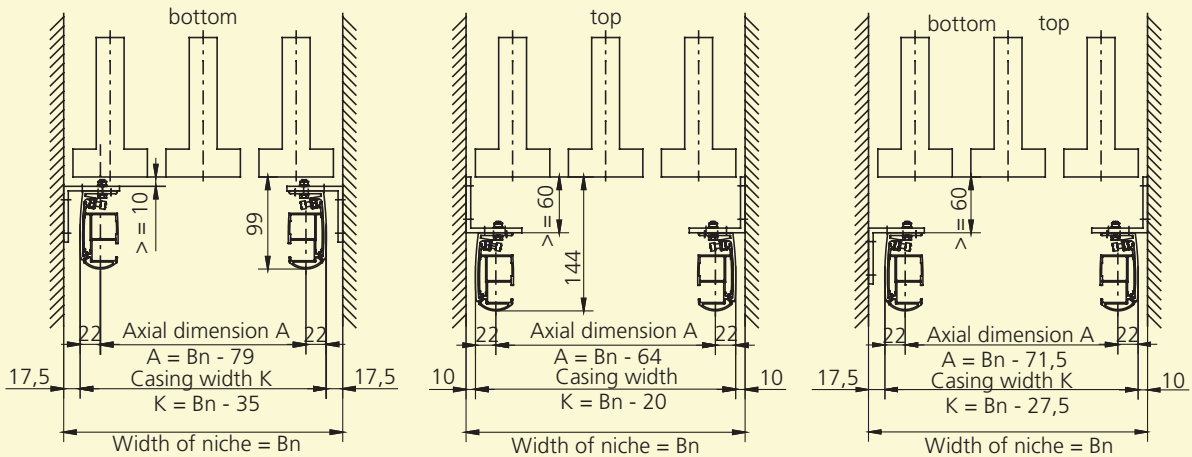


Legend:

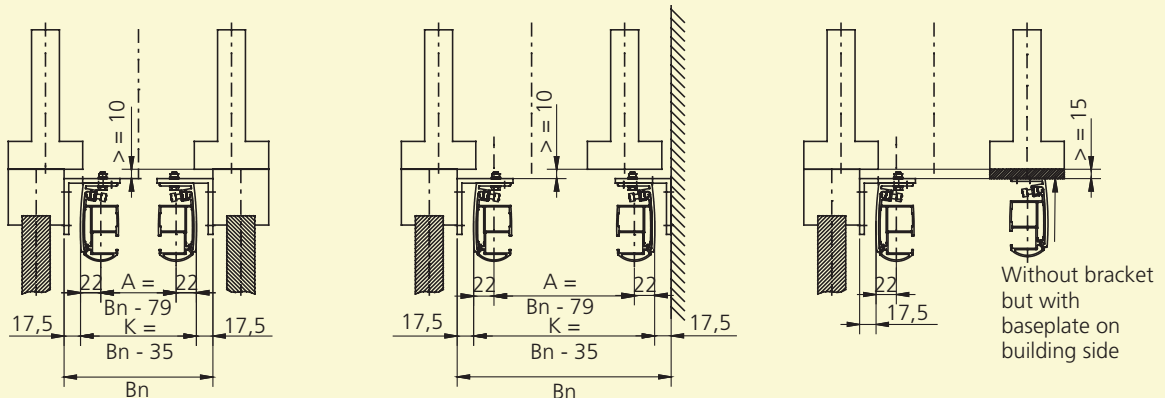
- A = Axial dimension of the **WGM Sottezza**
(Centre of side channel to centre of side channel)
- K = Casing width
- Bn = Width of niche

All dimensions in mm

Any roof with niche brackets

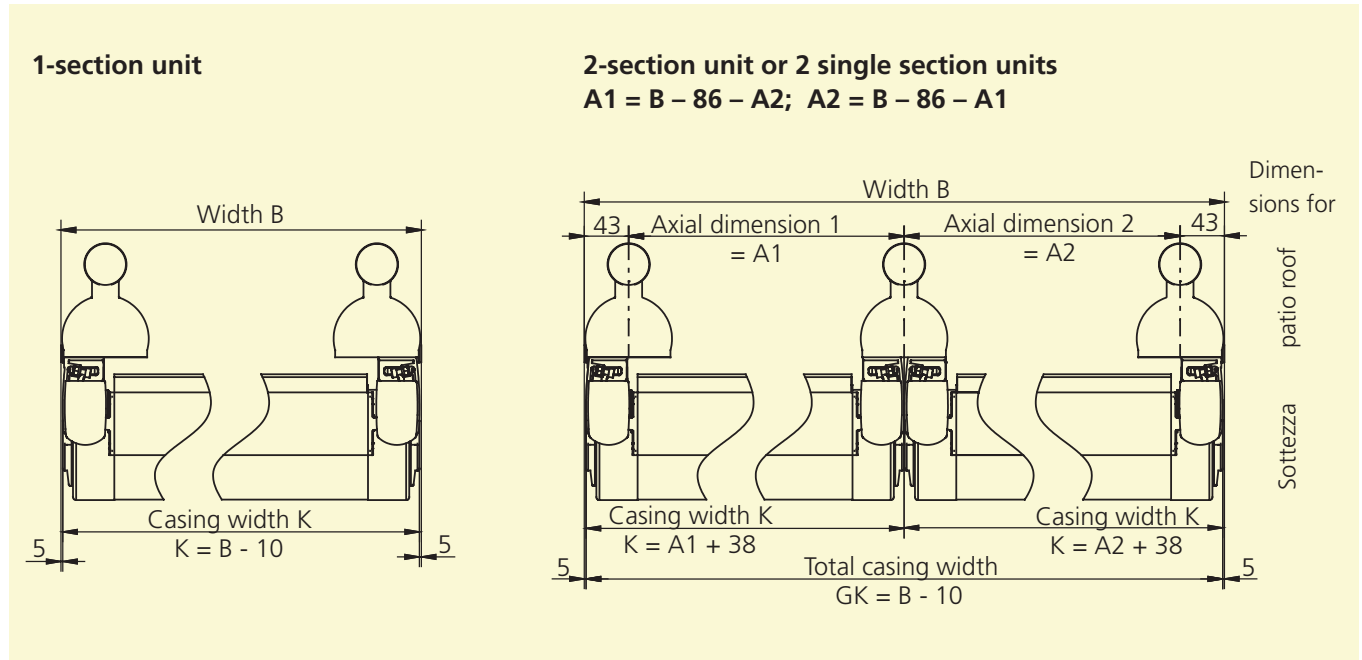


Any roof with vertical sections at the side

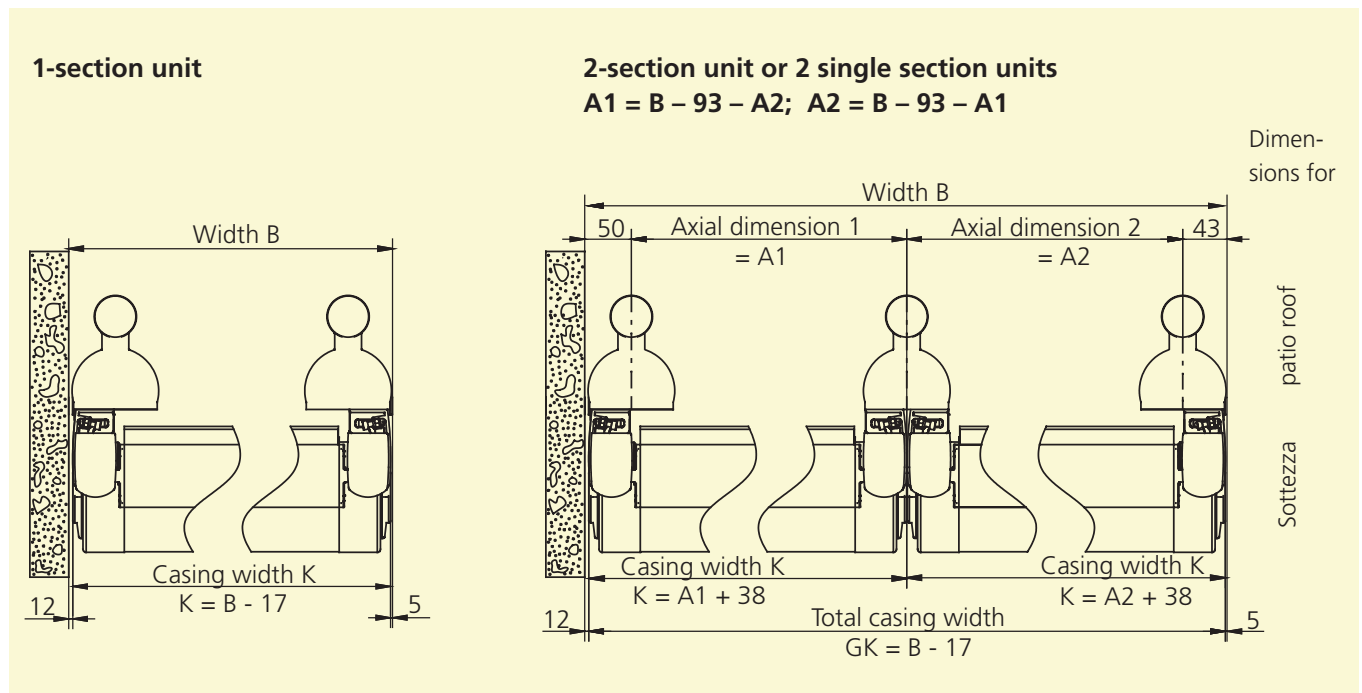


Standard methods of fitting WGM Sottezza/Lux under a patio roof

1. Variation: patio roof without limitation, under a WGM Sottezza



2. Variation: patio roof limited by a wall, under a WGM Sottezza

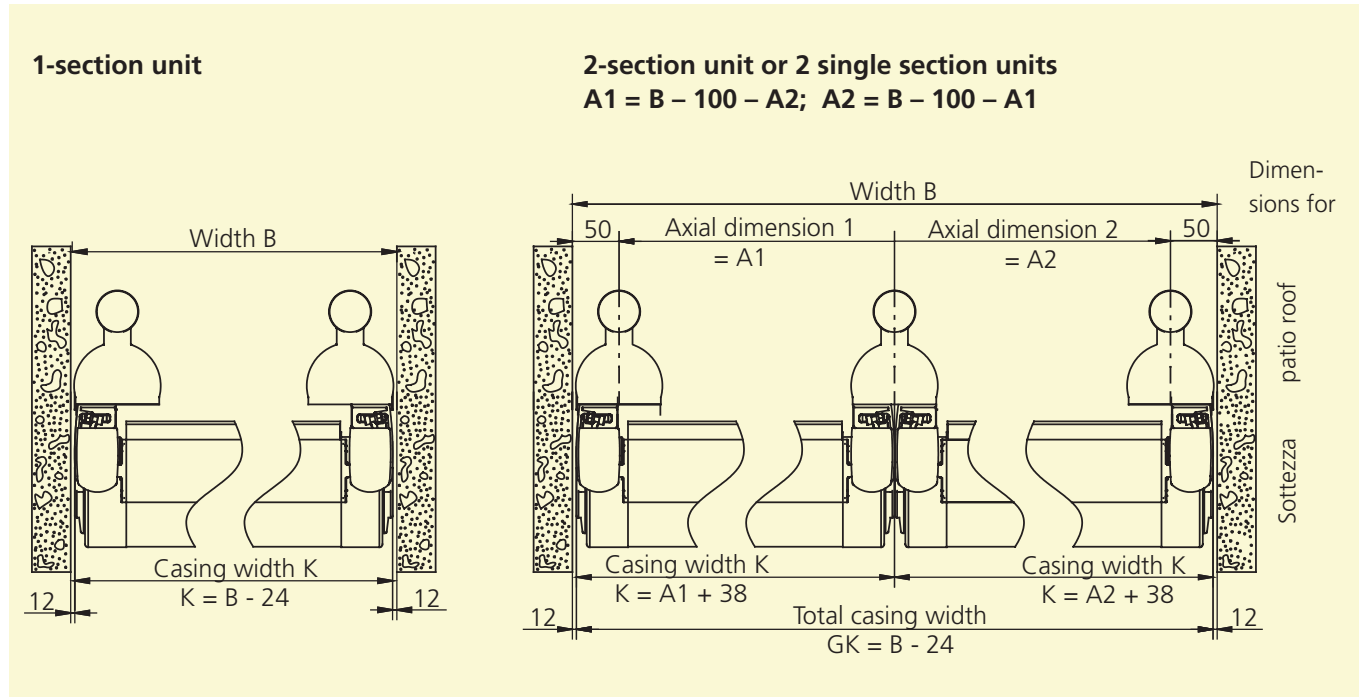


B = Width of patio roof
 K = Casing width WGM Sottezza
 GK = Total casing width

We reserve the right to make technical alterations. December 2006

Standard methods of fitting WGM Sottezza/Lux under a patio roof

3. Variation: patio roof limited on both sides by walls, under a WGM Sottezza

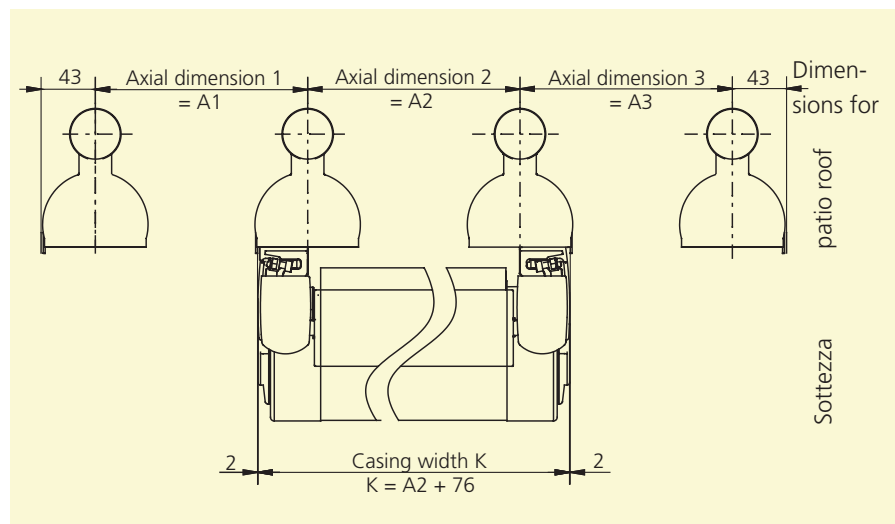


B = Width of patio roof
 K = Casing width WGM Sottezza
 GK = Total casing width

Standard state of delivery

For a WGM Sottezza which is to be fitted centrally under a patio roof, the brackets for the side channel are fitted as standard as shown in the adjacent drawing. The width of the WGM Sottezza casing can also be worked out as shown.

Should a different location be wanted for a bracket, this must be stated expressly when asking for a quotation/placing an order. In this case no provision can be made for the brackets.

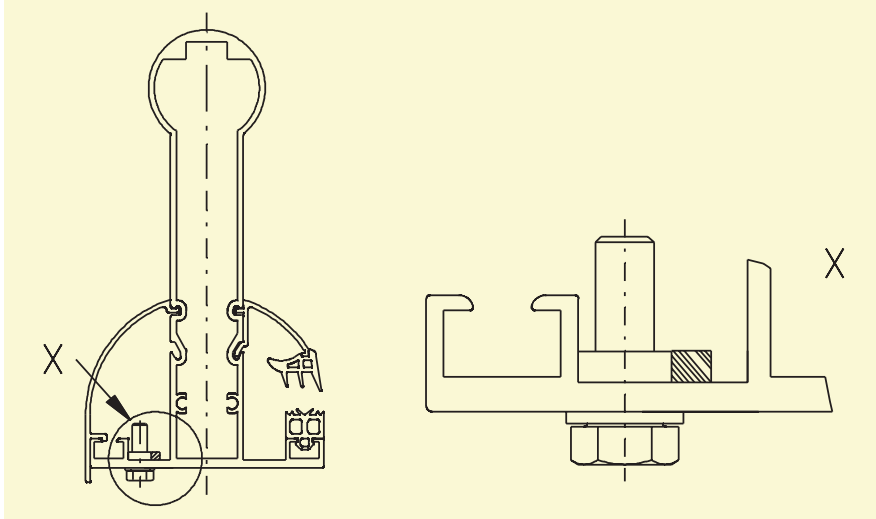


If more WGM Sottezzas are to be fitted to the right and left of the unit at a later date, the casing

widths of all WGM Sottezza units must comply with the axial dimension of the patio roof.

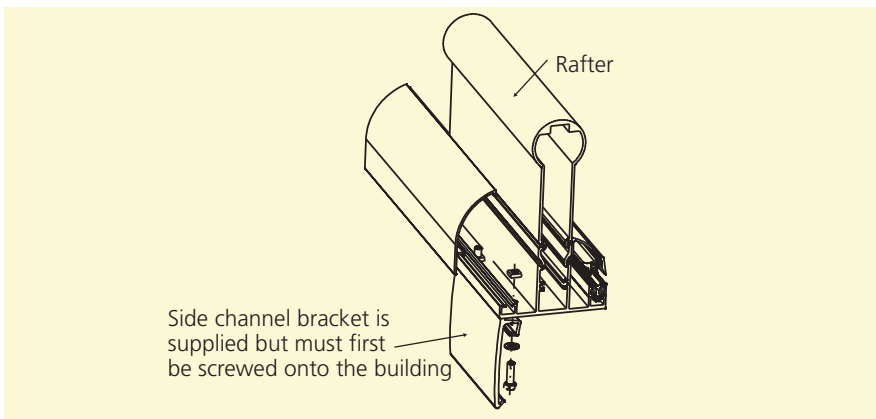
We reserve the right to make technical alterations. December 2006

Standard bracket positions for WGM Sottezza under a patio roof with optional provision for brackets



The patio roof with optional provision for brackets can only be supplied if the standard brackets are to be located in the positions shown in the adjacent drawing.

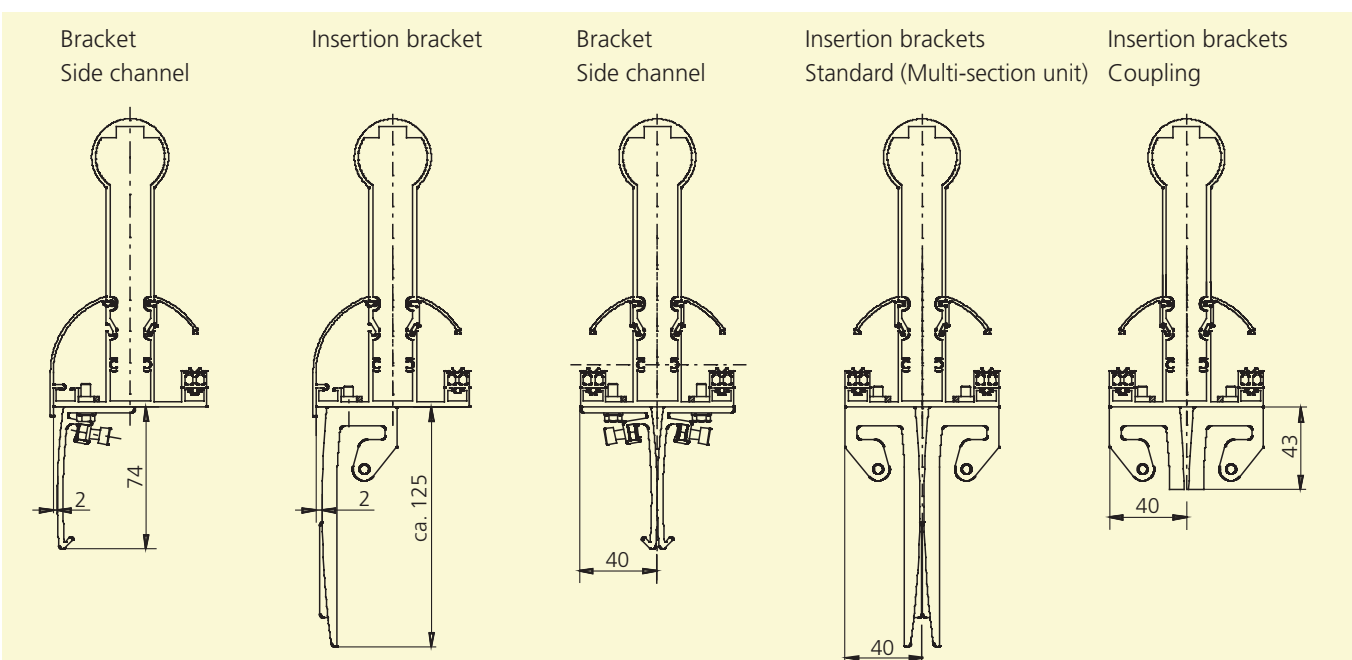
With the patio roof with optional provision for brackets, the screws, washers and nuts are screwed onto the rafters of the patio roof. The nuts are glued inside the roof.



The side channel brackets and the insertion brackets are supplied with the **WGM Sottezza** and must be fixed to the rafters of the patio roof in the intended places.

All necessary fixings for the patio roof with optional provision for brackets are supplied as standard.

Standard positions for fitting a WGM Sottezza to a patio roof



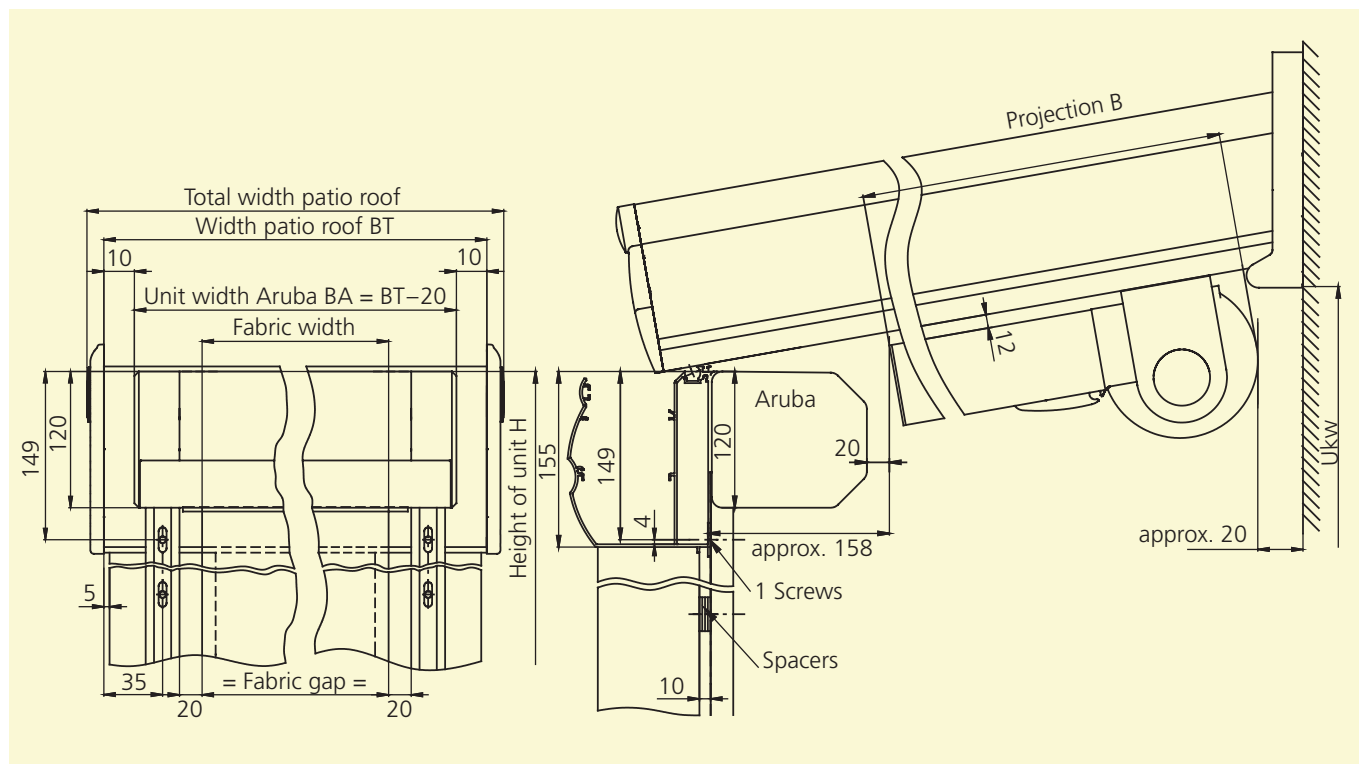
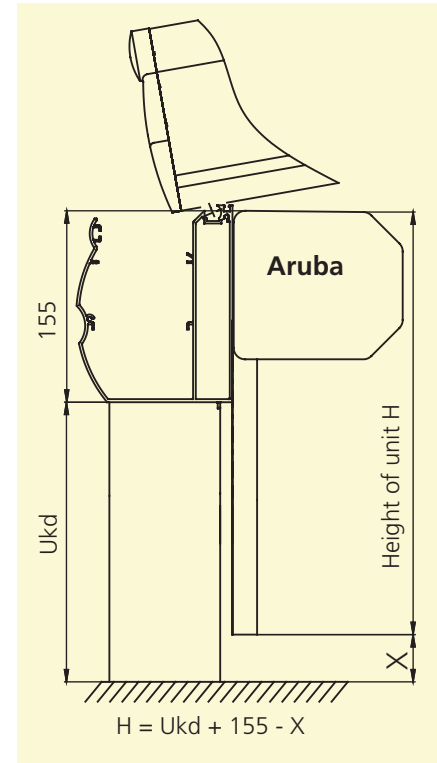
We reserve the right to make technical alterations. December 2006

Example of fitting patio roof with WGM Sottezza and Aruba Carré/Rund

Advantages of use with Aruba

- Vertical shade in front area
- No reduction in pass line height
- No gap between post and fabric
- The guide rail can only be screwed into the roof gutter if there is no steel where the screw goes in.
- As well as the Aruba Carré/Rund with rail guiding, the Aruba Carré/Rund with cord guiding can be used.

- To attach the Aruba guide rails to the post on the patio roof, 4 spacers, each 2.5 mm, are need per attachment point.
- On coupled or multi-section units care must be taken that two tracks are then fitted to one post.



Legend

BA = Width of Aruba unit
 BT = Width of patio roof
 T = Depth of patio roof

Ukcd = Bottom edge of roof gutter
 X = Any value
 H = Height of unit

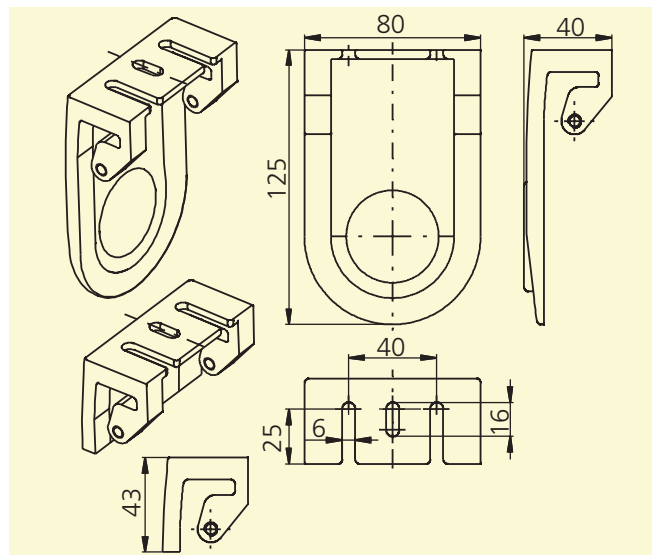
Standard fastenings

The insertion bracket

- Two insertion brackets are required for each **WGM Sottezza/Lux** or section including
 - Allen screw DIN 912-M6 x 45-A2
 - Washer DIN 125-6, 4-A2

The insertion bracket coupling

- A the point of coupling; for parts of units joined together, including
 - Allen screw DIN 912-M6 x 45-A2
 - Washer DIN 125-6, 4-A2

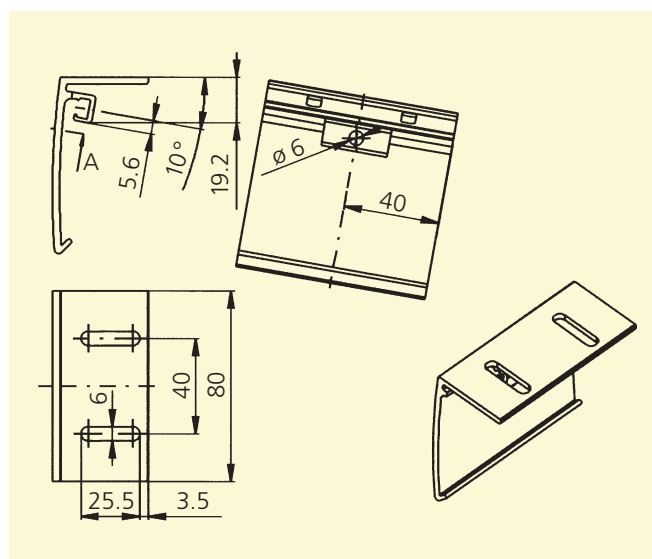


The side channel bracket

- When fitting to a patio roof, the standard number of side channel brackets is shown in this product folder and the current weinor price list.
- When fitting the **WGM Sottezza/Lux** to different roof, a greater number of side channel brackets may be necessary.

including

- Allen screw DIN 912-M6 x 45-A2
- Washer DIN 934-M5-A2



Niche bracket

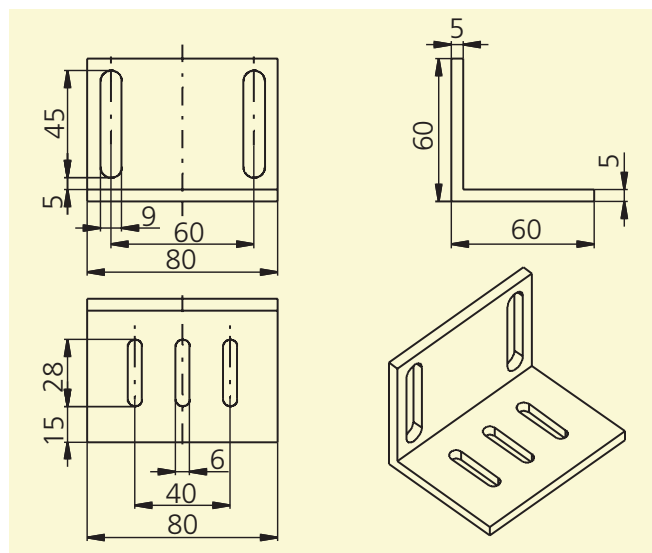
- The bracket is required for attachment at the side to walls, in niches or to vertical elements. Including screws for attaching the insertion bracket or the side channel bracket

- Hexagonal bolt DIN 933-M5 x 16-A2 3 x
- Hexagonal nut DIN 934-M5-A2 3 x
- Washers DIN 125-5.3-A2

Fixing screws for attaching to patio roof (standard positions)

1 set comprising of

- Hexagonal bolt DIN 933-M5 x 16-A2 10 x
- Square nut DIN 562-M5-A2 10 x
- Washers DIN 125-5.3-A2 10 x



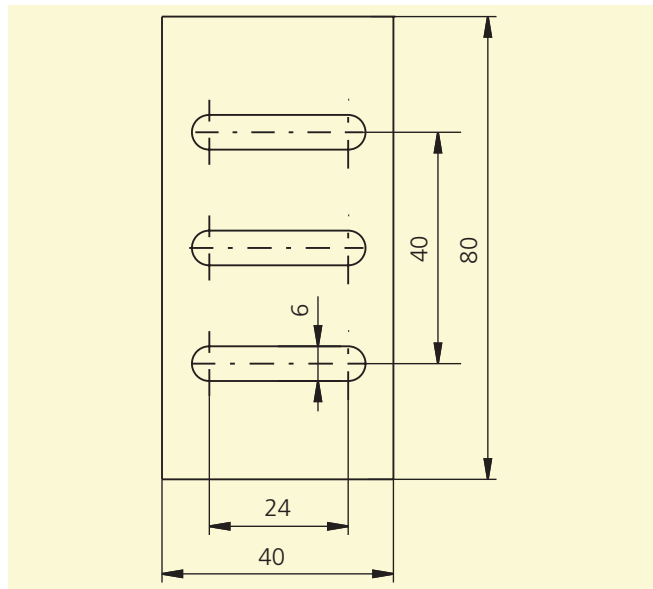
Special fastenings

The fastenings listed here can be used for attachment in different situations.

These fastenings are especially useful as underlays or for offsetting sideways when affixing to other roofs, i. e. not to a patio roof or coupled and multi-section units.

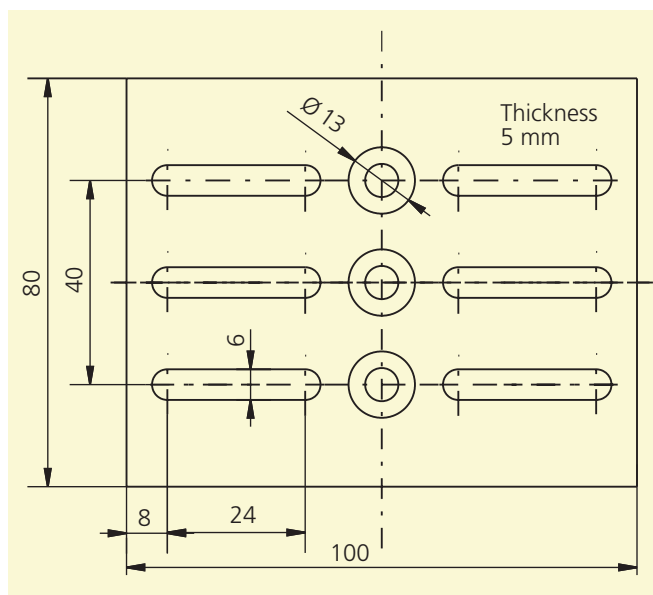
Base plate

- Available in 5 mm thickness
- For placing under the side channel bracket and the insertion bracket



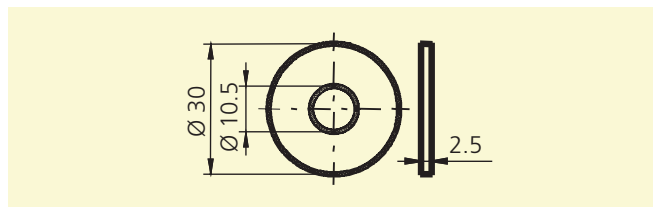
Fixing plate

- For placing under the side channel bracket or the insertion bracket
- For offsetting the fastenings sideways
- For narrow rafters



Spacer

- For placing under the side channel bracket or the insertion bracket
- Only available in sets of 10



We reserve the right to make technical alterations. December 2006

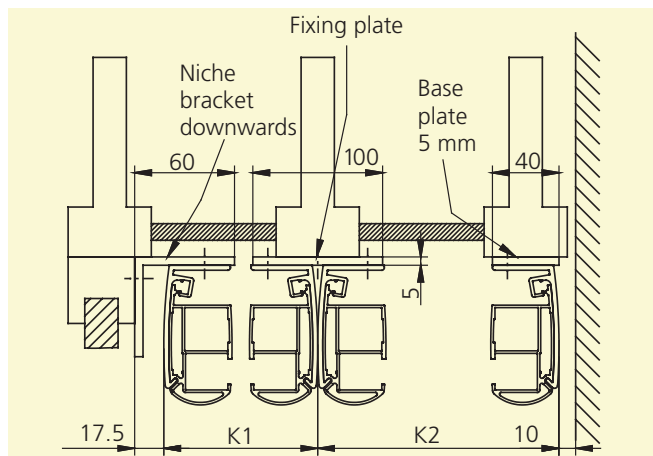
Examples of attachment with special fastenings

Below are two examples of using special fastenings. The correct special fastenings will depend on the building situation and requirement for shade.

- The insertion brackets on the right hand side can be fitted with spacers.

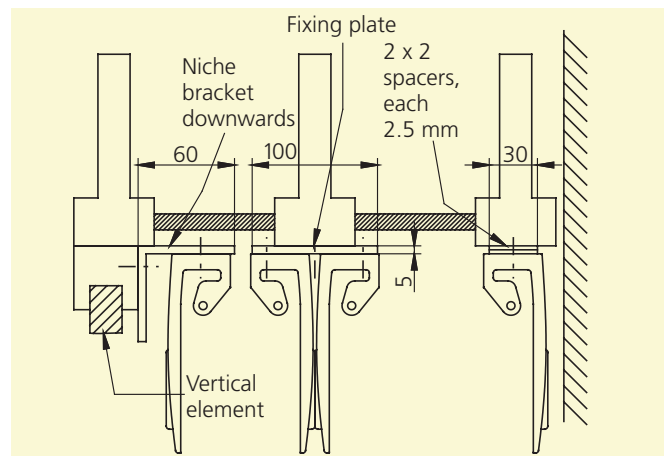
- The screws at the point of the coupling are to the side of the rafter because it is very narrow.
- Where the rafter is wide at the point of the coupling, the fastenings are screwed straight into the rafter.

Example 1



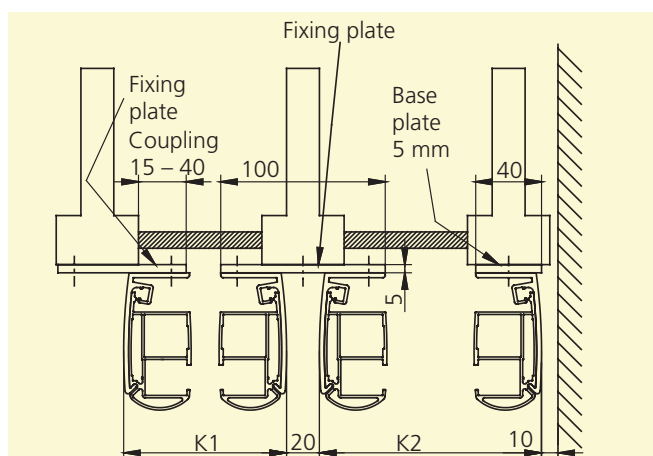
Fixing WGM Sottezza 0-2-1 to roof with vertical element at side

- The fixing plate must be attached to the rafter with vertical screws or flush head rivets.



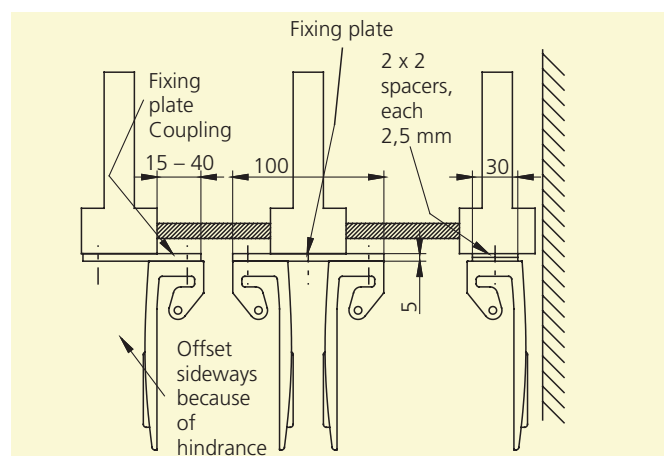
- Since it is attached to the side of the vertical element, all fastenings drop by 5 mm, a 5 mm washer needs to be inserted at the position of the coupling and to the right.

Example 2



Fixing WGM Sottezza offset to the side

- Since it is offset to the left, all fastenings drop by 5 mm, a 5 mm washer needs to be inserted at the position of the coupling.



- The fixing plate can be screwed to the rafter with normal screws, provided there is adequate space between the fastenings..