

MEDITERRANEA

Gibus®
PRICE LIST 2009



COUNTRY MED ELITE

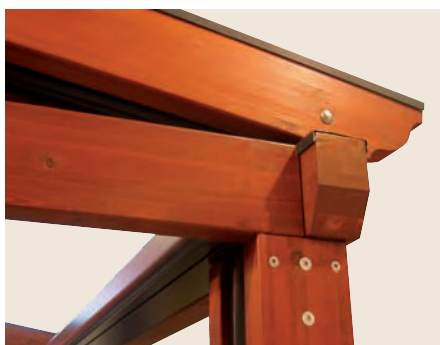


Lamellar pine wood structure, autoclave imbued with copper-boron salts, belonging to Class RAL 3 according to the rules DIM 68800/3. Wood treated with water-based colour products. Brackets, supports, and screws made of stainless steel Aisi type 304 powder coated in the same colour of the structure.

Bearing structure with 2 wooden beams 150 or 200 mm x 60 mm. The two beams are on frontal beam 90 x 60 cm supported by uprights 90 x 160. Standard front water gutter with drainpipe, into the external side of the leg and water discharge pipe into the fixing floor foot. Fabric bands awning, sliding on RAL coated 85mm aluminium guides and supported by aluminium coated horizontal profiles 43 x 65 mm and frontal bar 65 x 85 mm. Toothed belt drive system on lateral guides, rotating on ball bearings. Cases made of aluminium fusions with adjustment of the belt traction. Nylon sliding carriages with wheels equipped with stainless steel bearings and pivots.

Quick fastening of the carriage to the horizontal profile and main terminal bar thanks to the patented system "Quick Block". The cloths are separated or partially separated, then inserted into the horizontal profile and jointed thanks to the "Weather Strip" patented system. They are further sealed with the pressure insertion of an additional nail-shaped gasket. In this way the waterproofing is perfect. Motor control with patented system "Fast coupling" or RTS.

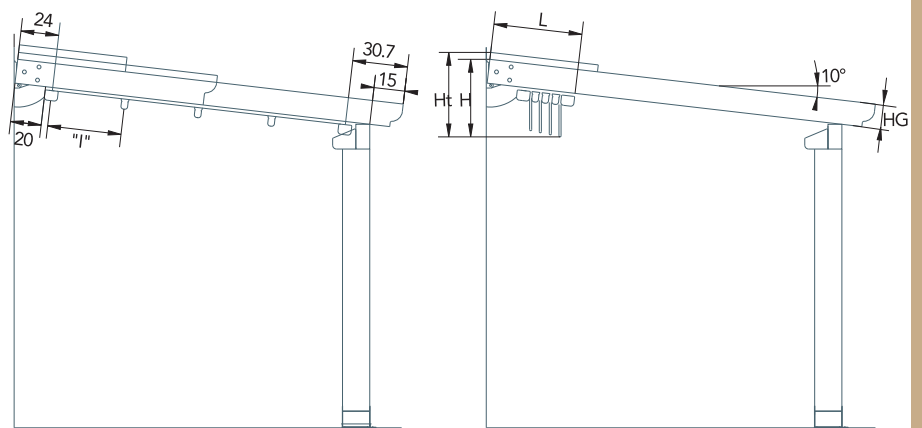
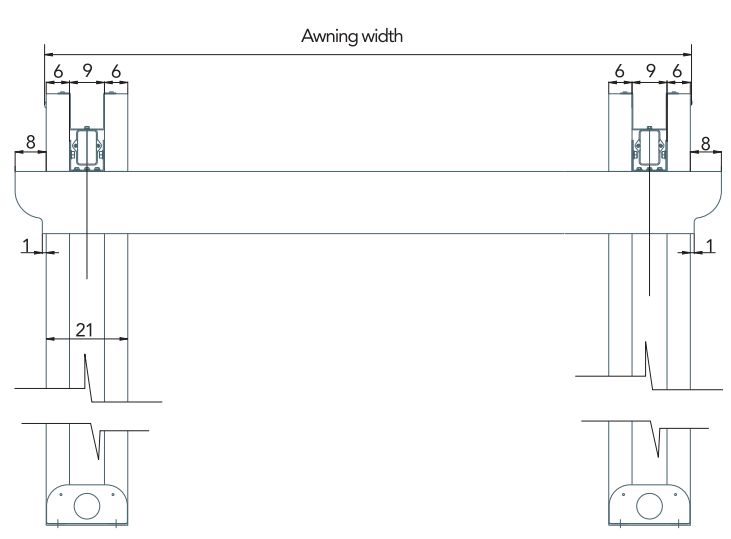
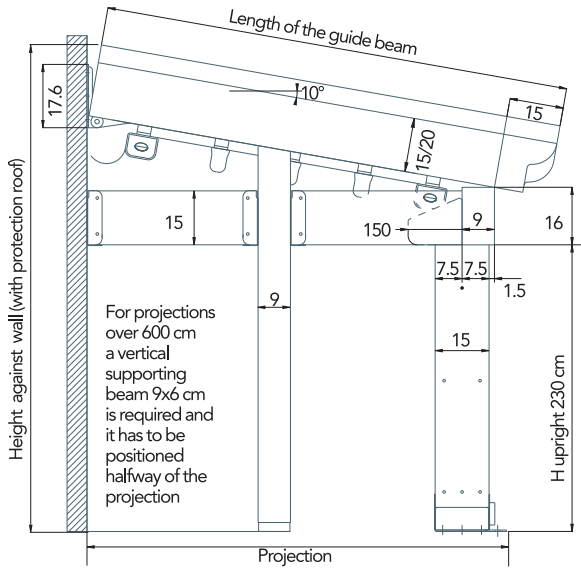
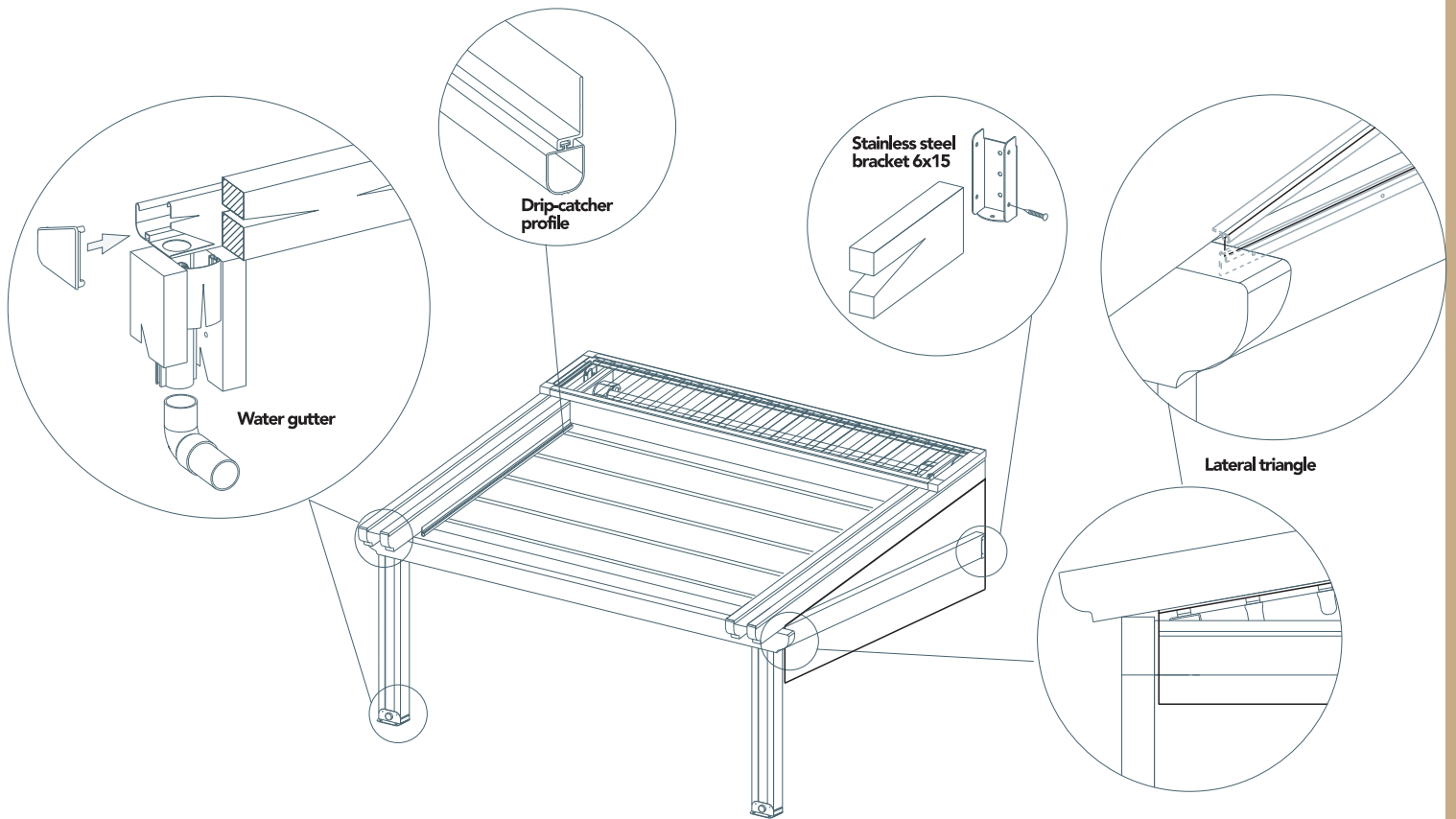
In order to grant the discharge of water, the tensioned cloth version requires a minimum inclination of 15% (about 8°). When the awning is closed and not covered a protection roof is compulsory.



MEDITERRANEA

Gibus®

PRICE LIST 2009



Projection	I wheelbase of the horizontal profiles	L Width packing	H Height of packing	Ht Packing with roof 5 cm	Hg Height of the guide profile	Horizontal profile
251÷300	43÷55	60-66	45-51	+ 5 cm	15	3-4
301÷350	43÷55	66-72	45-51	+ 5 cm	15	4-5
351÷400	43÷55	72-78	45-51	+ 5 cm	15	5-6
401÷450	43÷55	78-84	45-51	+ 5 cm	15	6-7
451÷500	43÷55	84-90	45-51	+ 5 cm	15	7-8
501÷550	43÷55	90-96	45-56	+ 5 cm	15-20	8-9
551÷600	43÷55	96-102	45-56	+ 5 cm	15-20	9-10
601÷650	43÷55	102-109	50-56	+ 5 cm	20	10-11
651÷700	43÷55	109-115	50-56	+ 5 cm	20	11-12

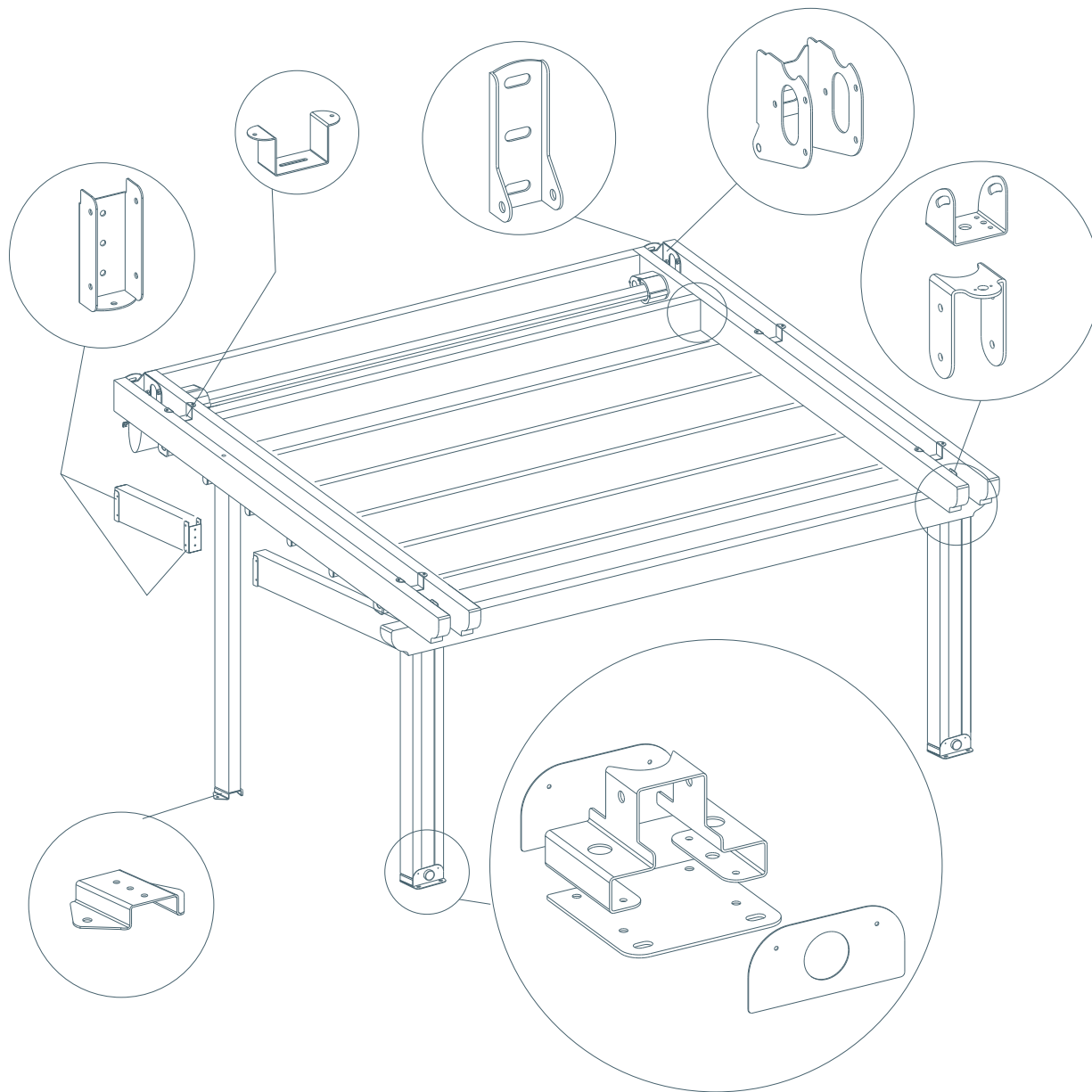
MEDITERRANEA



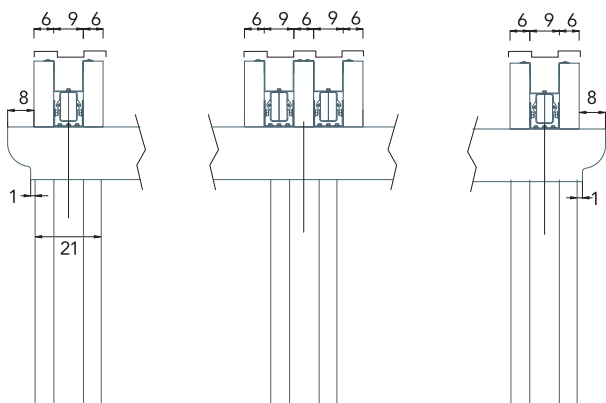
PRICE LIST 2009

COUNTRY MED ELITE

Stainless steel
brackets

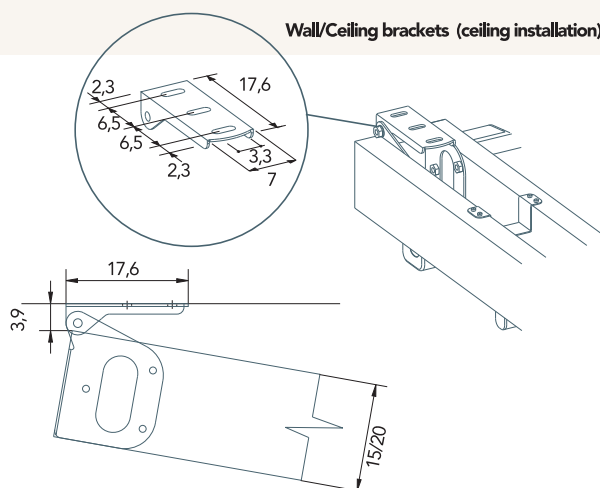
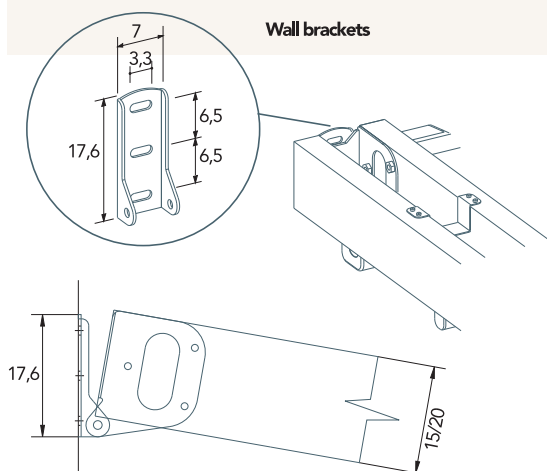


System for coupling 2 freestanding CountryMed:
2 guides are fastened to only one middle beam



Wall brackets

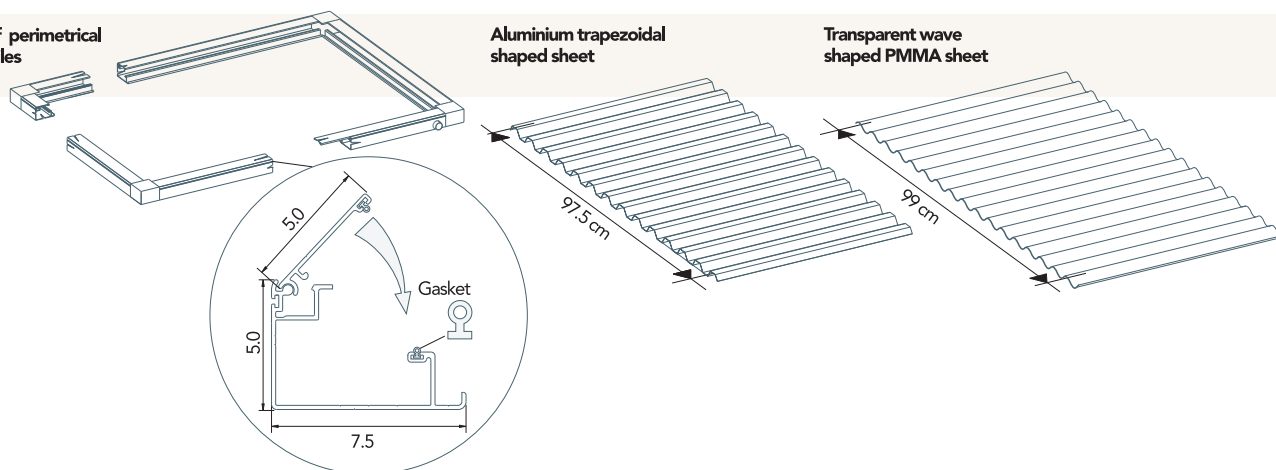
Wall/Ceiling brackets (ceiling installation)



Roof perimetrical profiles

Aluminium trapezoidal shaped sheet

Transparent wave shaped PMMA sheet



MEDITERRANEA

Gibus®

PRICE LIST 2009

COUNTRY MED ELITE

Joints and connections

