

safe · timeless · beautiful



markilux pergola 100

Large-scale sun protection for patios -
The proven technology of the markilux 8000 conservatory awning
with slender support posts



markilux pergola 100

markilux pergola 100

Large-scale sun protection for patios -
The proven technology of the markilux 8000 conservatory awning
with slender support posts

The advantages in a nutshell:

- the cassette profile, the guide tracks, the front profile and the front support posts complement one another perfectly and result in a large but nevertheless very elegant patio shading system
- Simple installation: fixture of the cassette to the wall and the posts to a concrete base by means of base plates. The front support posts are made of steel, standard height 250 cm, other heights on request
- Coupled units up to three fields wide are available in the markilux pergola 100
- When closed the awning cover is protected from the weather by the fully encompassing cassette
- Permanently high cover tension is achieved by way of two special gas-piston mechanisms operating independently of one another
- The highly tear-resistant tensioning belts provide long-lasting and silent awning operation
- Especially large extensions provide generous shade with high wind stability (wind resistance class 3)
- The round, front support posts further stabilise the awning in addition to the fixture points on the façade - this reduces the pull-out forces on the façade.
- Water drainage is guaranteed at a minimum pitch of 14° to the horizontal, the maximum possible pitch is 45°

Design:

- An elegant awning system resting on slender posts with unobtrusive lateral guide tracks
- The ability to combine different cassette colours with the end cap trim and insert finishes (appearance of the Lounge style line of the markilux 6000) make it possible to personalise the markilux pergola for your own patio

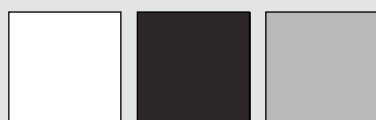
Standard specification:

- Powder coated in the standard colours, traffic white - RAL 9016, metallic aluminium - RAL 9006 or grey brown - similar to RAL 8019
- Motor drive operation as standard
- All the fabric patterns in the current markilux collection in acrylic and sunsilk snc material are available
- Face fixture of the cassette
- The cover panels are bonded together ultrasonically

Optional accessories: (surcharge according to the price list)

- Polyester powder coating in the colours of the Lounge style line and all other RAL colours is available to individual order (prices on request, longer lead time)
- Radio-controlled motor with markilux remote control - ergonomically shaped
- Wall sealing profile to cover the gap between awning and wall; effective up to an awning pitch of 25°
- Colour matching of the cassette end cap trim and end cap insert is possible
- Awning covers made of waterproof sunsilk, markilux perla FR, are available at a surcharge
- For further technical details and accessories please consult the current markilux conservatory sales manual or the price list of the conservatory awning markilux 8000

Standard RAL colours:



* Colours similar to those in the RAL chart - they may differ slightly from those depicted in both hue and finish

markilux pergola 100



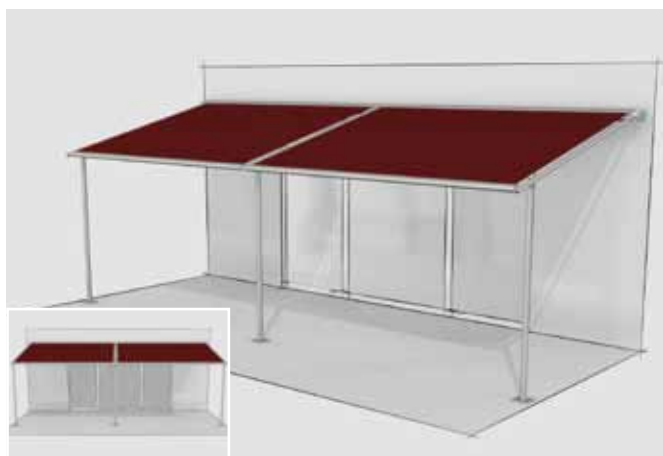
markilux pergola 100 - single unit, height adjustment at the base of the front posts during installation approximately 10 cm



Detail: end cheek with guide track



Detail: Support post with guide track at the front



coupled unit (2 or 3 fields) is available

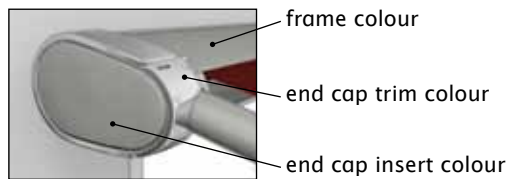


Detail: Gutter profile for coupled track (optional)

markilux pergola 100

markilux pergola 100

Lounge style line



Frame colours	end cap trim colours	end cap insert colours
off-white textured finish 5233	off-white textured finish 5233	off-white textured finish 5233
stone grey metallic 5215	stone grey metallic 5215	stone grey metallic 5215
anthracite metallic 5204	anthracite metallic 5204	anthracite metallic 5204
	polished chrome	wood look finish
	black chrome	stainless steel mesh

off-white textured finish



stone grey metallic



anthracite metallic



markilux pergola 100

Dimensions and configuration options



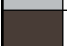
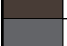
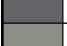


For further technical details and accessories please consult the sales manual and the price list of the conservatory awning **markilux 8000**

single unit

	awning fixture width / order width	150	200	250	300	350	400	450	500	minimum fixture width	minimum fixture width in the case of Solis 92
	overall width	+ 16									
extension	150									74	112
	200									79	
	250										
	300									112	
	350										
	400										
	450									149	
	500										
	550										
600									122		

= available

dimensions in cm

Frame colours		
	RAL 9016 traffic white	•
	RAL 9006 metallic aluminium	•
	similar to RAL 8019 grey brown	•
	5204 anthracite metallic (Lounge)	○
	5215 nano stone grey metallic (Lounge)	○
	5233 nano off-white textured finish (Lounge)	○
	non-standard RAL colour	○

* Colours similar to those in the RAL chart - they may differ slightly from those depicted in both hue and finish

• = fitted as standard

○ = optional accessory

coupled units 2 fields, 1 or 2 motors

	awning fixture width / order width	450	500	550	600	650	700	750	800	850	900	950	1000
	overall width	+ 16											
extension	150												
	200												
	250												
	300												
	350												
	400												
	450												
	500												
	550												
600													

= available

dimensions in cm

The markilux pergola 100 is supplied without cover support tubes.

Definition of fixture width/order width: The fixture width is the measurement centre to centre from guide track to guide track. The overall width of the cassette is 160 mm greater than the fixture width of the awning.

Coupled units 3 fields, 2 motors

	awning fixture width / order width	600	650	700	750	800	850	900	950	1000	1050	1100	1150	1200	1250	1300	1350	1400	1450	1500
	overall width	+ 16																		
extension	150																			
	200																			
	250																			
	300																			
	350																			
	400																			
	450																			
	500																			
	550																			
600																				

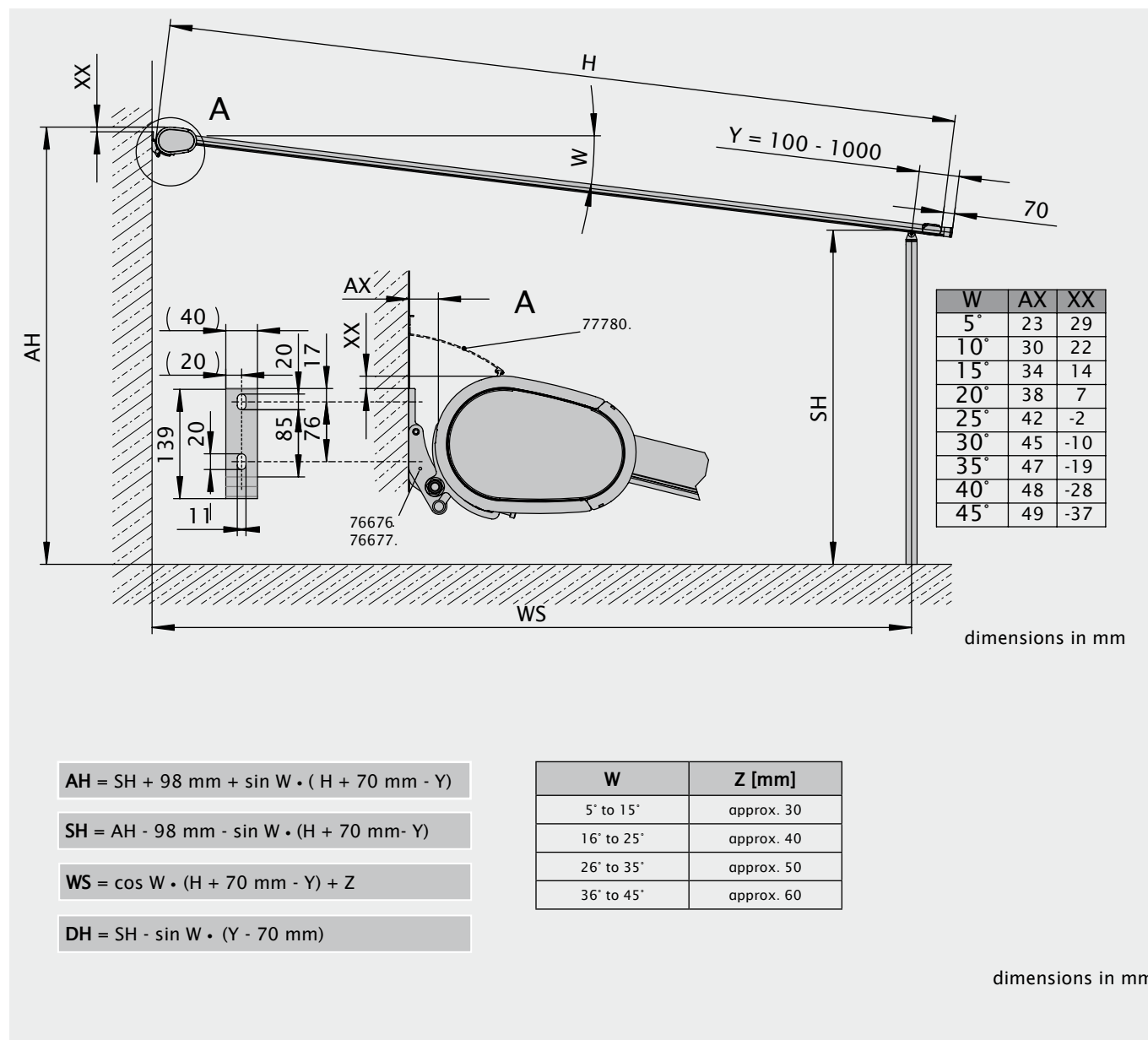
= available

dimensions in cm

markilux pergola 100

Fixture dimensions

Overview



- H = extension
 AH = fixture height
 W = pitch
 WS = distance from wall to support post centre
 SH = support post height, standard height 250 cm (other heights on request)
 Y = distance front support posts have been moved in - min. 100 mm up to max. 1000 mm
 77780. = wall sealing profile, optional, effective up to a pitch of 25°
 76676. = face fixture cassette bracket, right
 76677. = face fixture cassette bracket, left
 DH = headroom
 Z = calculation value for the distance wall to support post centre (see table)

Water drainage can only be guaranteed at a minimum awning pitch of 14° to the horizontal.

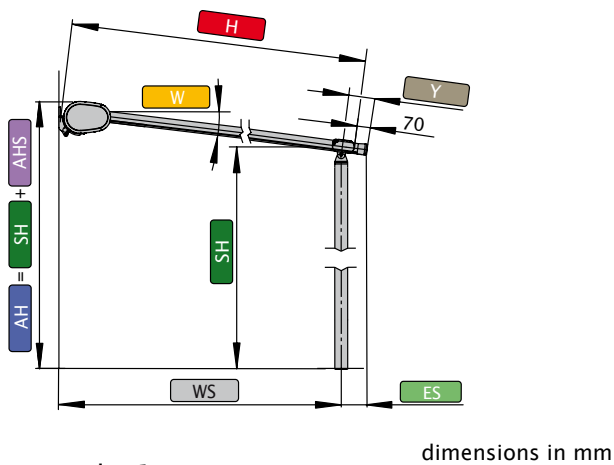
If the markilux pergola is to be used as rain protection and the pitch is less than 14°, we recommend the markilux pergola 200 be used. In contrast to the markilux 100 one of the support posts of the markilux pergola 200 (optionally both of them) can be lowered manually.

This is an advantage especially when the installation height is restricted and ensures water drainage at a minimum pitch of at least 7°. By lowering the height of one support post by 30 cm water drainage in rainfall can be assured. If the pitch is at least 14° water drainage can be guaranteed even if the support post is not lowered.

Fixture dimensions

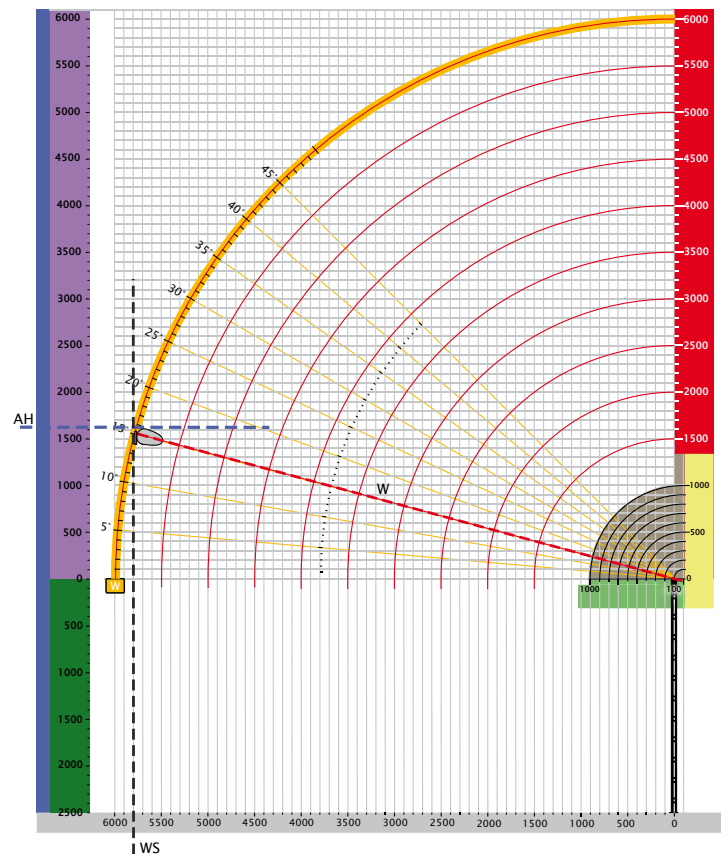
calculation of the approximate fixture height (theoretical), examples

1. front support posts, pushed as far out as possible, Y = 100 mm



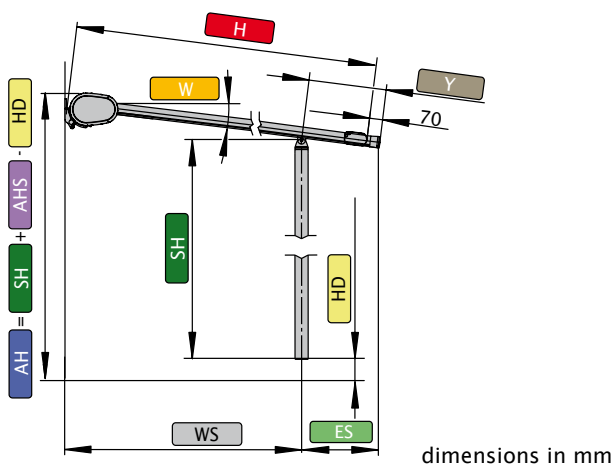
example 1:

- ES = 100
- W = 15°
- H = 6000
- WS = 5800
- Y = 100
- SH = 2500
- AHS = 1620
- AH = SH + AHS = 2500 + 1620 = 4120



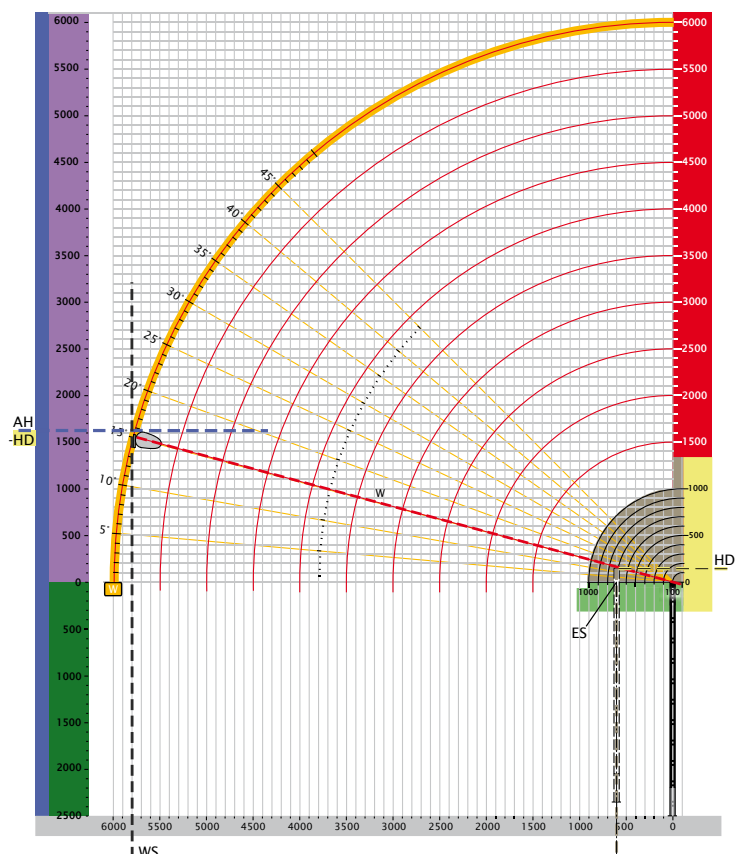
- H = extension
- W = pitch
- WS = distance from wall to support post
- AH = fixture height
- ES = end of the guide track - support post centre
- SH = support post height, standard height 2500 mm
- AHS = fixture height from the top edge of the support post
- HD = difference to the fixture height
- Y = distance front support posts have been moved in

2. front support posts, pushed as far in as possible, Y > 100 mm < 1000 mm



example 2:

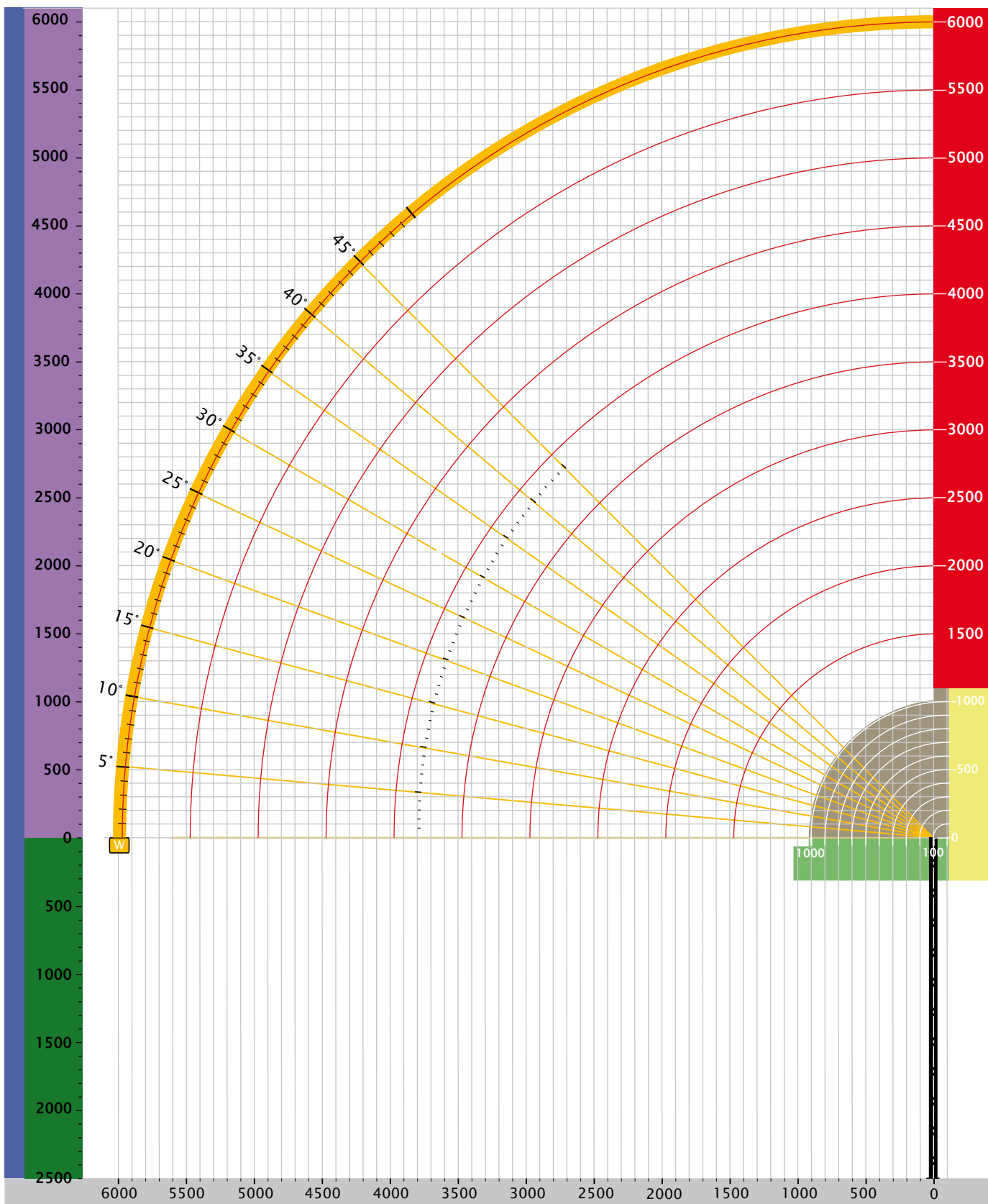
- ES = 700
- W = 15°
- H = 6000
- WS = 5200
- Y = 700
- HD = 130
- SH = 2500
- AHS = 1620
- AH = SH + AHS - HD = 2500 + 1620 - 130 = 3990



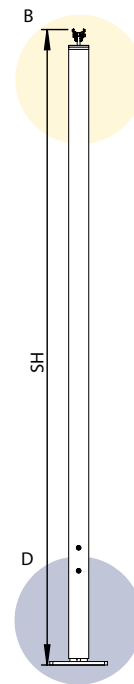
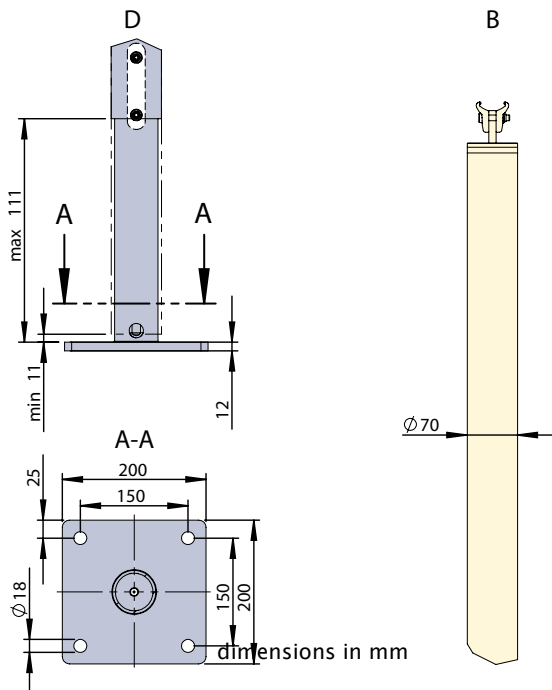
markilux pergola 100

Fixture dimensions

calculation of the approximate fixture height, theoretical

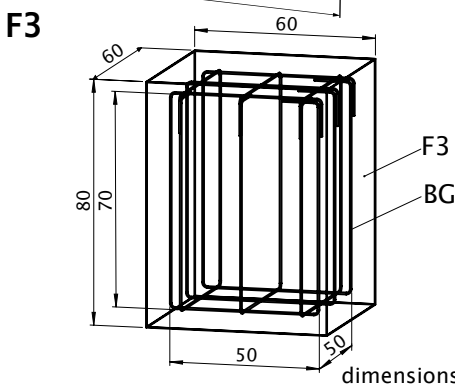
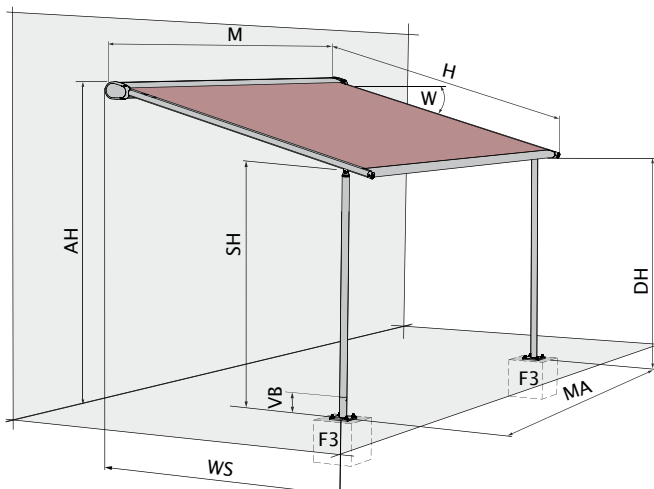


dimensions in mm

markilux pergola 100**Fixture dimensions****front support post**

In compliance with the technical drawing, every post has to be supported on site by:

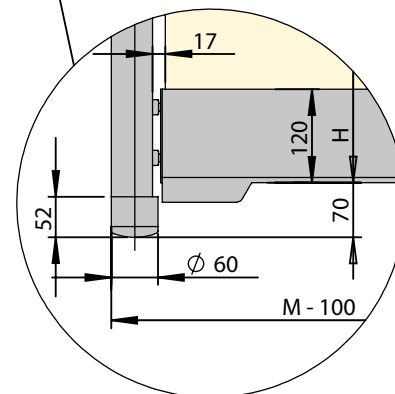
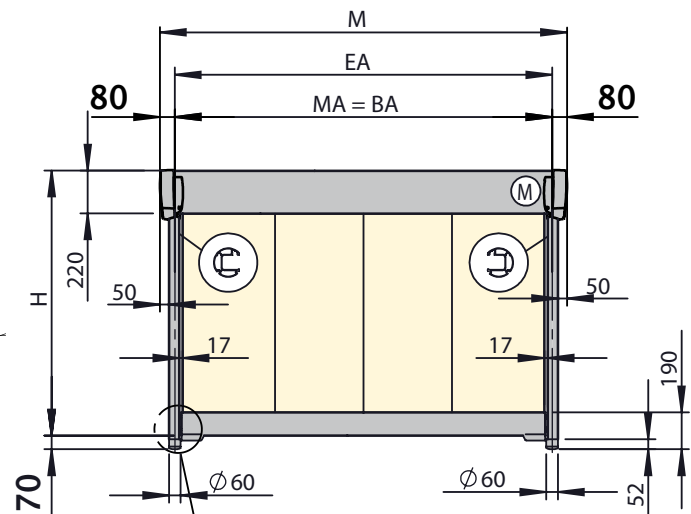
- A concrete base of armoured concrete with a compressive strength of C25/30 (previously known as B25) using rebar matting, \varnothing 6 mm
- Fixing of the front base plate (F3), by means of Fischer anchor bolts FAZ 10/30 made of marine grade stainless steel using washers complying with DIN 9021 (or equivalent).

single unit 1 field, 1 motor

Rebar matting made of 6 pieces of shaped steel rebar, \varnothing 6 mm

M = awning width = MA + 16 cm
 MA = awning fixture width
 EA = single unit
 H = extension
 (AS) = motor drive operation side
 BA = order width = awning fixture width
 SH = support post height, standard height 250 cm (other heights on request)
 AH = fixture height
 BG = rebar matting
 F3 = concrete base

W = awning pitch = 5° to 45°
 DH = headroom
 VB = height adjustment 10 cm
 WS = distance wall to support post
 DH = headroom

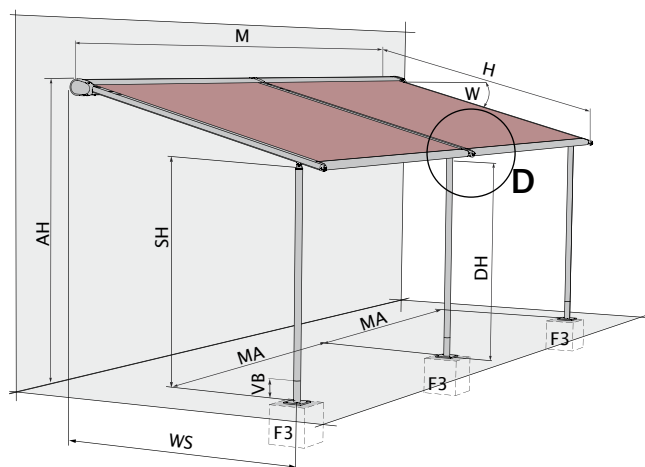


dimensions in mm

markilux pergola 100

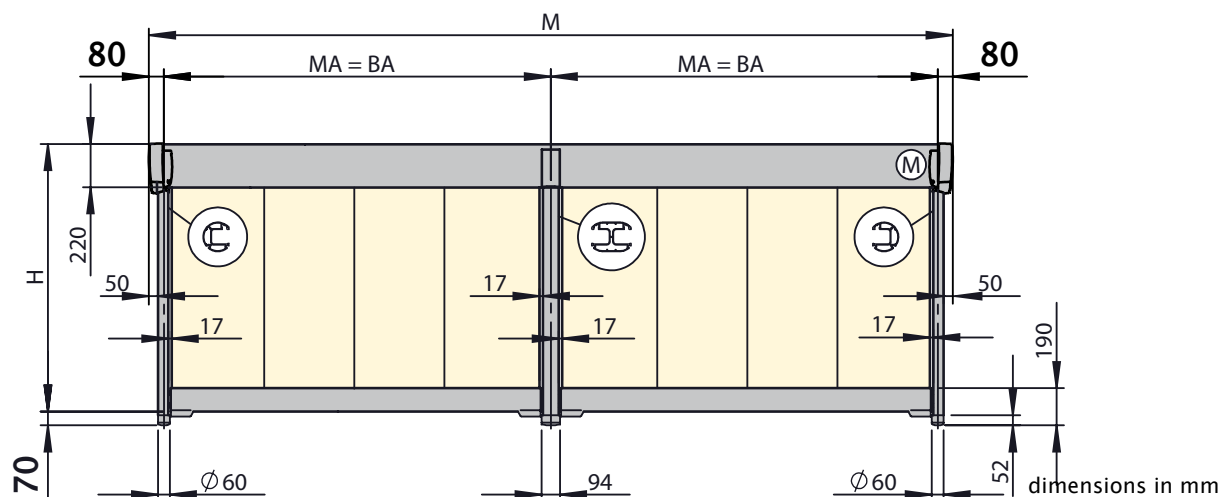
Fixture dimensions

coupled units



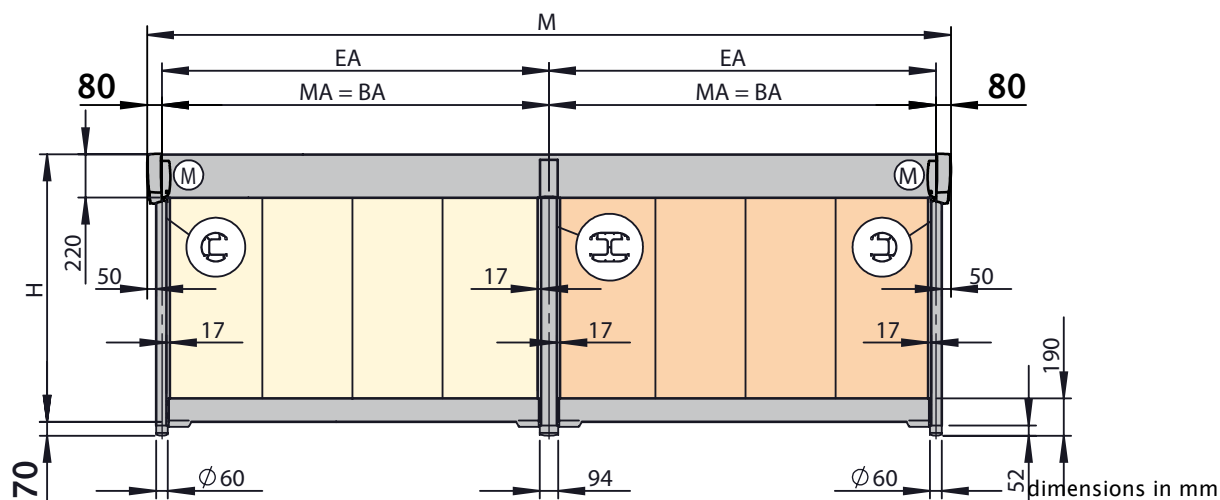
F3 see single units

Coupled units 2 fields, 1 motor



dimensions in mm

Coupled units 2 fields, 2 motors

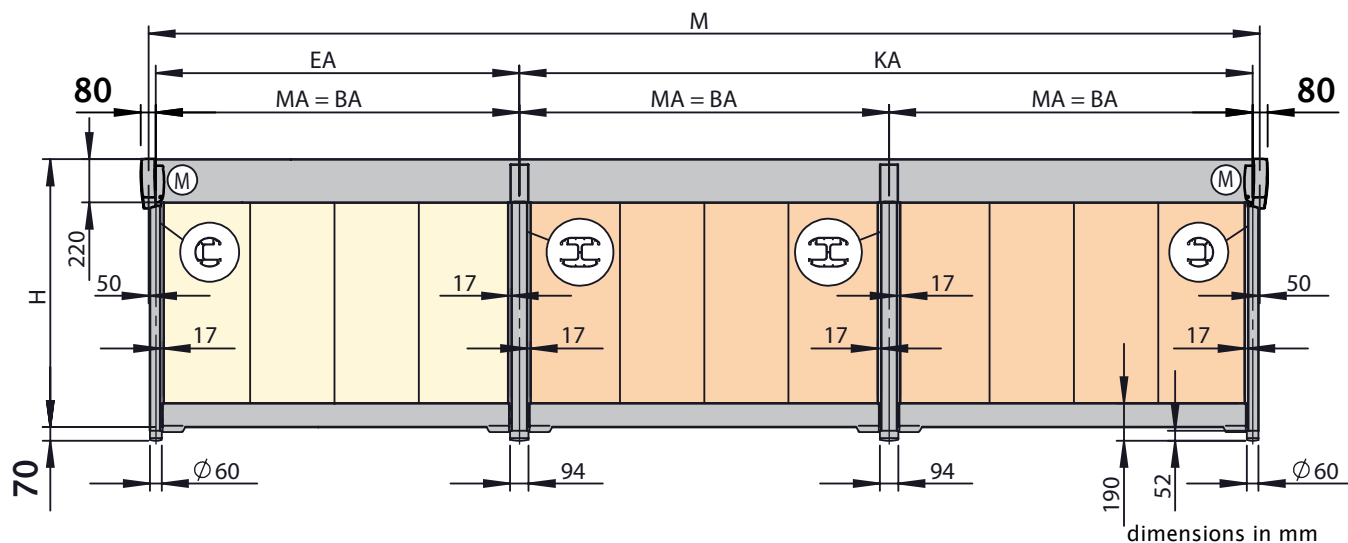


dimensions in mm

- M = awning width = MA + 16 cm
- MA = awning fixture width
- BA = order width = awning fixture width
- EA = single unit
- H = extension
- Ⓐ = motor drive operation side
- SH = support post height, standard height 250 cm (other heights on request)
- AH = fixture height
- BG = rebar matting
- F3 = concrete base
- VB = height adjustment 10 cm
- WS = distance wall to support post
- DH = headroom
- D = detail of the gutter profile for a coupling track

markilux pergola 100

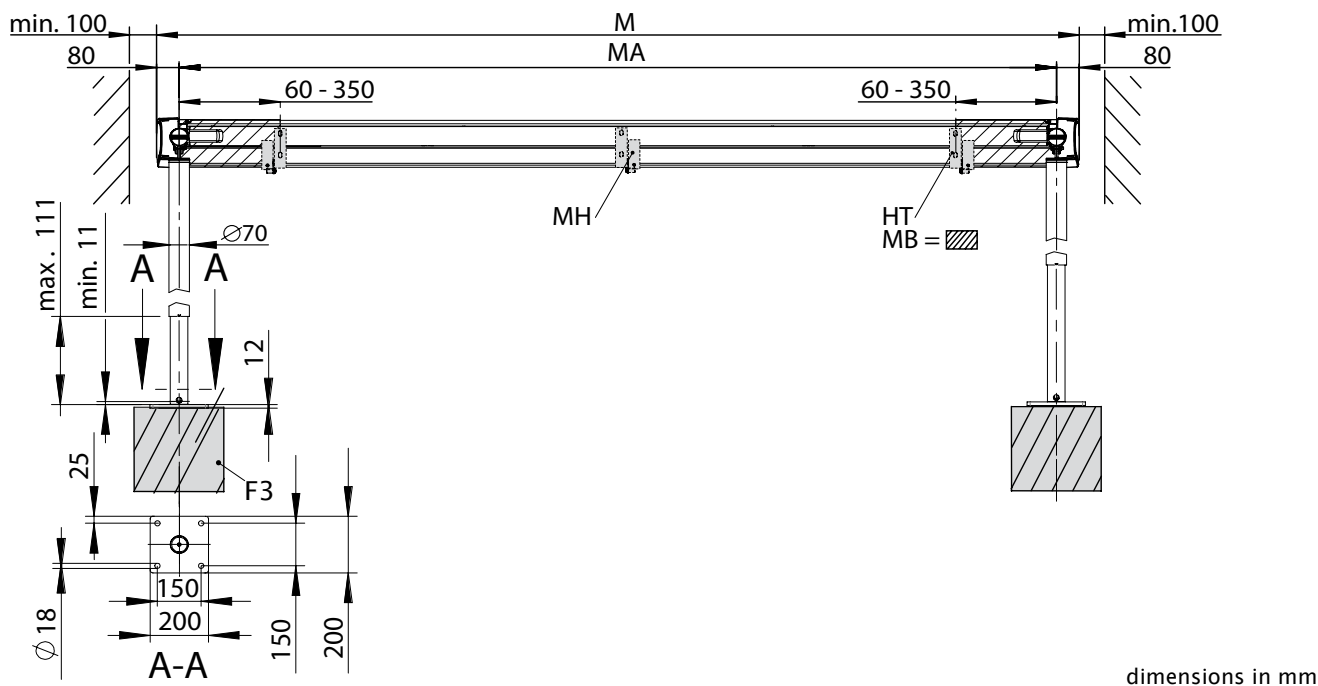
Coupled units 3 fields, 2 motors



- M = awning width = MA + 16 cm
- MA = awning fixture width
- BA = order width = awning fixture width
- EA = single unit
- KA = coupled unit
- H = extension
- AS = motor drive operation side

Reveal fixture in the case of single and coupled units

In the case of reveal fixture a distance of at least 100 mm must be observed on each side of the awning.



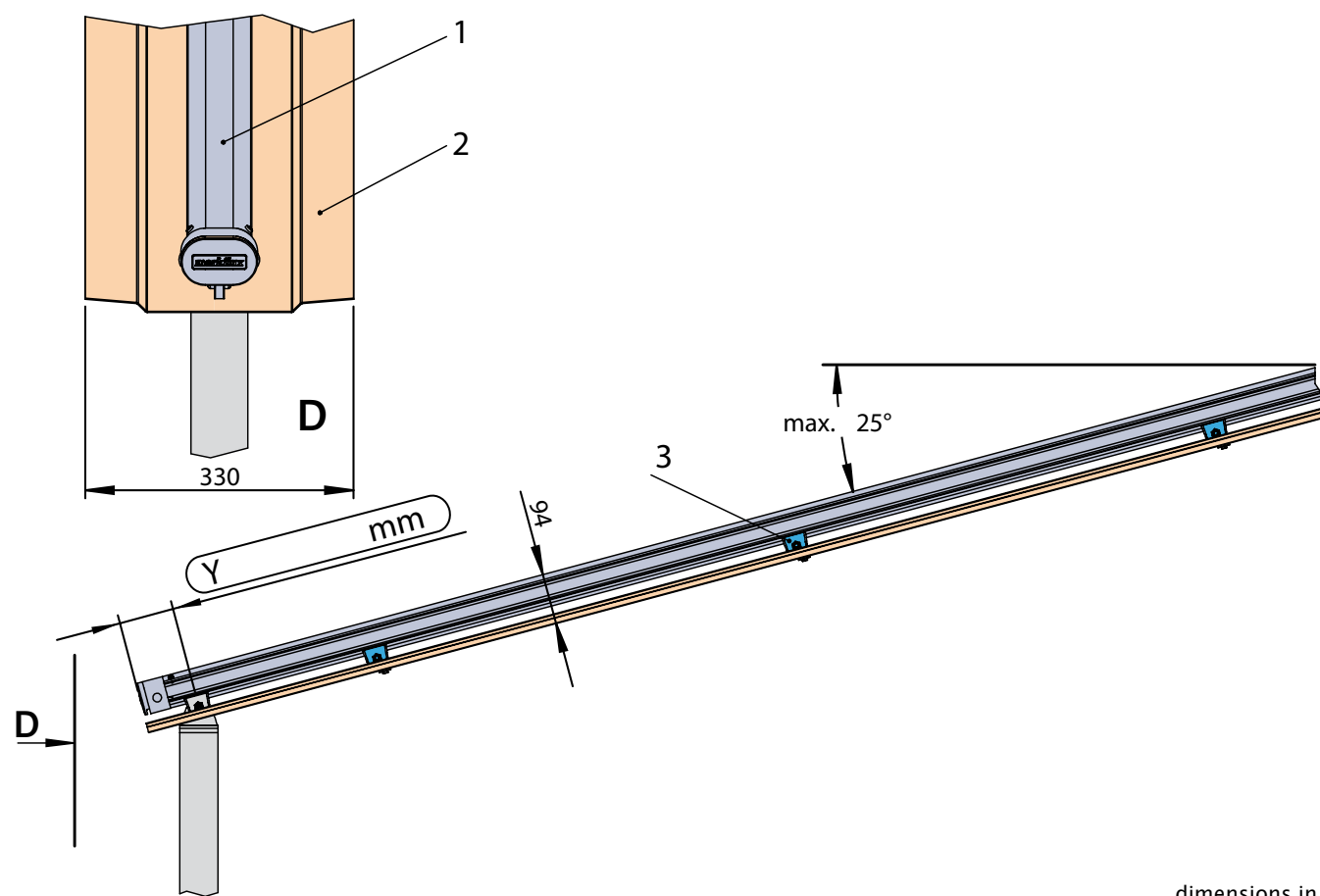
- M = awning width = MA + 16 cm
- MA = awning fixture width
- MB = bracket fixture range
- MH = from an awning width of 451 cm an additional face fixture bracket (part no. 76676.) is required.
- HT = bracket
- F3 = concrete base

markilux pergola 100

markilux pergola 100

Fixture dimensions

Detail: gutter profile for coupling track



dimensions in mm

- D = detail of the gutter profile for a coupling track
- Y = the support post can be moved in by a min. of 100 mm and a maximum of 1000 mm
- 1 = coupling track (78002.)
- 2 = gutter profile for coupling track (70892., possible up to a maximum awning pitch of 25°)
- 3 = coupling bracket for gutter profile (70891.)

safe · timeless · beautiful



markilux pergola 200

Large-scale sun protection for patios -

The proven technology of the markilux 8000 conservatory awning with slender support posts, can be lowered on one side

markilux pergola 200

markilux pergola 200

Large-scale sun protection for patios -

The proven technology of the markilux 8000 conservatory awning with slender support posts, can be lowered on one side

The advantages in a nutshell:

- Support post system made of steel - manual height adjustment possible on one side - to ensure water drainage at a minimum pitch of at least 7°; if the pitch is at least 14° water drainage can be guaranteed even if the support post is not lowered.
- Manual adjustment of the support post by up to 30 cm using a handle; this function is assisted by a gas piston in the support post. By pressing the button to release the gas piston, the post can be returned to its original position with some assistance from the handle.
- Simple installation: fixture of the cassette to the wall and the posts to a concrete base by means of footplates. The front support posts are made of steel, standard height 250 cm, other heights on request (minimum height 187 cm)
- Coupled units up to two fields wide are available in the markilux pergola 200
- When closed the awning cover is protected from the weather by the fully encompassing cassette
- Permanently high cover tension is achieved by way of two special gas-piston mechanisms operating independently of one another
- The round, front support posts further stabilise the awning in addition to the fixture points on the façade - this reduces the pull-out forces on the façade.
- Especially large extensions provide generous shade with high wind stability (wind resistance class 3)
- The round, front support posts further stabilise the awning in addition to the fixture points on the façade - this reduces the pull-out forces on the façade.

Design:

- An elegant awning system resting on slender posts with unobtrusive lateral guide tracks
- The ability to combine different cassette colours with the end cap trim and insert finishes (appearance of the Lounge style line of the markilux 6000) make it possible to personalise the markilux pergola for your own patio

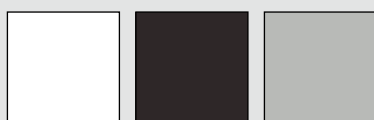
Standard specification:

- Powder coated in the standard colours, traffic white - RAL 9016, metallic aluminium - RAL 9006 or grey brown - similar to RAL 8019
- Motor drive operation as standard
- All the fabric patterns in the current markilux collection in acrylic and sunsilk snc material are available
- Face fixture of the cassette
- The cover panels are bonded together ultrasonically

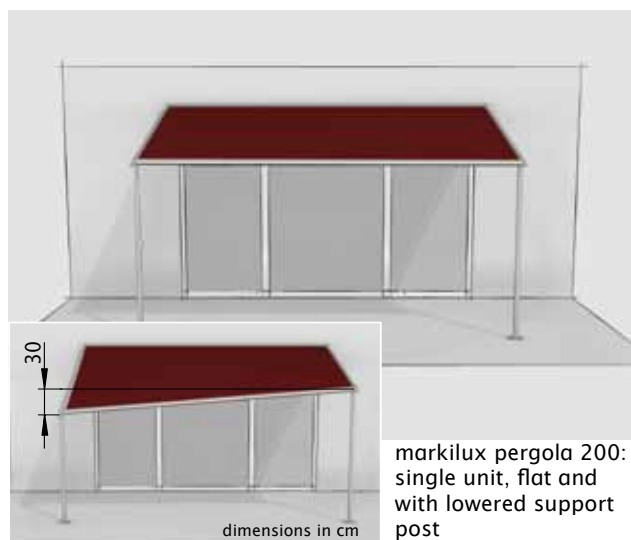
Optional accessories: (surcharge according to the price list)

- Polyester powder coating in the colours of the Lounge style line and all other RAL colours is available to individual order (prices on request, longer lead time)
- Radio-controlled motor with markilux remote control - ergonomically shaped
- Wall sealing profile to cover the gap between awning and wall; effective up to an awning pitch of 25°
- Colour matching of the cassette end cap trim and end cap insert is possible
- Awning covers made of waterproof sunsilk, markilux perla FR, are available at a surcharge
- Further optional accessories can be found in the current markilux conservatory sales manual or in the price list of the conservatory awning markilux 8000 - for installation dimensions please consult the markilux pergola 100

Standard RAL colours:



* Colours similar to those in the RAL chart - they may differ slightly from those depicted in both hue and finish

markilux pergola 200

markilux pergola 200:
single unit, flat and
with lowered support
post



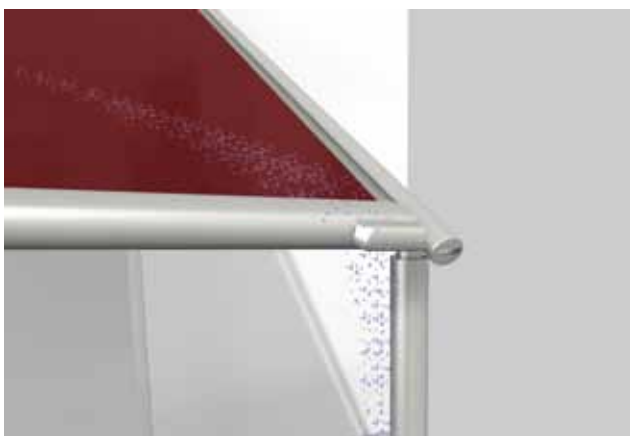
markilux pergola 200:
coupled unit with 2
fields, flat and with
lowered support post



Detail: end cheek with guide track



Detail: operating handle for the manual height adjustment
of the support post

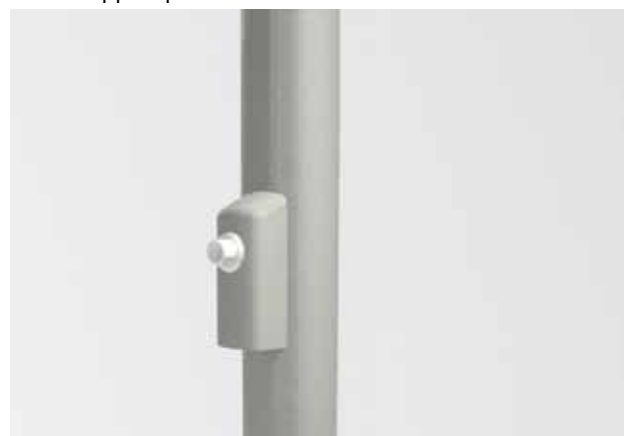


Detail: rain discharge with lowered support post

Water drainage can only be guaranteed at a minimum awning pitch of 14° to the horizontal.

If the markilux pergola is to be used as rain protection and the pitch is less than 14°, we recommend the markilux pergola 200 be used. In contrast to the markilux 100 one of the support posts of the markilux pergola 200 (optionally both of them) can be lowered manually.

This is an advantage especially when the installation height is restricted and ensures water drainage at a minimum pitch of at least 7°. By lowering the height of **one** support post by 30 cm water drainage in rainfall can be assured. If the pitch is at least 14° water drainage can be guaranteed even if the support post is not lowered.



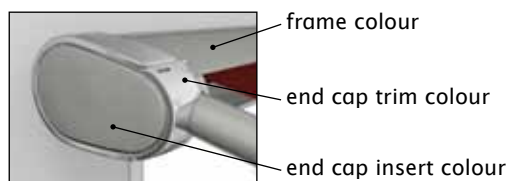
Detail: operating button to release the gas piston and re-
turn the adjustable support post to its original position



Detail: height adjustment at the base of the front support
posts during installation approximately 10 cm

markilux pergola 200

Lounge style line



Frame colours	end cap trim colours	end cap insert colours
off-white textured finish 5233	off-white textured finish 5233	off-white textured finish 5233
stone grey metallic 5215	stone grey metallic 5215	stone grey metallic 5215
anthracite metallic 5204	anthracite metallic 5204	anthracite metallic 5204
	polished chrome	wood look finish
	black chrome	stainless steel mesh

off-white textured finish



stone grey metallic



anthracite metallic



markilux pergola 200








Dimensions and configuration options

single unit

extension (H)	awning fixture width (MA)							
	150	200	250	300	350	400	450	500
250								
300								
350								
400								
450								
500								
550								
600								

dimensions in cm

= available

Frame colours		
	RAL 9016 traffic white	•
	RAL 9006 metallic aluminium	•
	similar to RAL 8019 grey brown	•
	5204 anthracite metallic (Lounge)	○
	5215 nano stone grey metallic (Lounge)	○
	5233 nano off-white textured finish (Lounge)	○
	non-standard RAL colour	○

* Colours similar to those in the RAL chart - they may differ slightly from those depicted in both hue and finish

- = fitted as standard
- = optional accessory

Coupled unit 2 fields, 1 or 2 motors

extension (H)	awning fixture width (MA)											
	450	500	550	600	650	700	750	800	850	900	950	1000
250												
300												
350												
400												
450												
500												
550												
600												

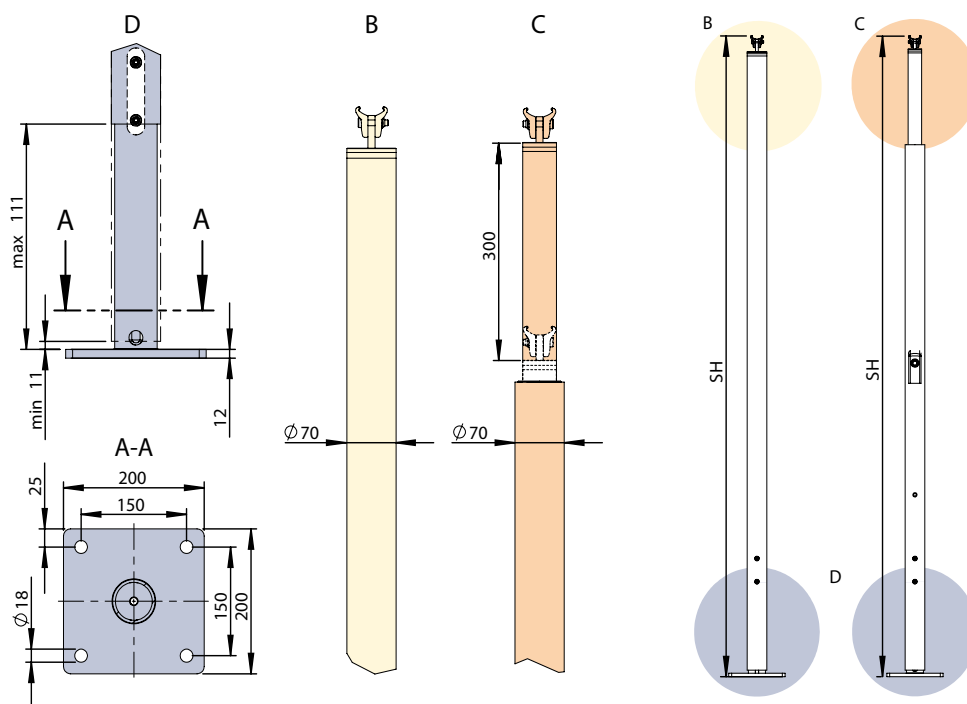
The markilux pergola 200 is supplied without cover support tubes.

= available

dimensions in cm

for installation dimensions please consult the *markilux pergola 100*

front support posts



SH = support post height, standard height 250 cm (other heights on request)

dimensions in mm

markilux pergola 200

