



Optimum awnings  
I 2000/  
K 2000

We reserve the right to make technical alterations. June 2010

\* see chapter WeiTronic in product folder



# Technology and aesthetics in perfect harmony

The I 2000 and K 2000 cassette awnings score high on classic elegance – something that never goes out of style

[www.weinor.com](http://www.weinor.com)

Relax al Fresco |





K 2000




I 2000

### Protection for the fabric and the mechanical parts

The optimum awnings are a harmonious combination of technology and aesthetics. On retracting, the beautifully shaped front rail closes exactly and protects the fabric and mechanical parts from wind and weather. The I 2000 is open on the wall side while the K 2000 is entirely closed off thanks to the additional cassette back section.

## Technical details

### Max. size of I/K 2000

- 1200 cm wide x 400 cm max. projection angle (2 section unit)
- Coupled units with jockey cover or sliding support
- Safety checked by German TÜV 

### Technical equipment

- Low installation height
- Gutter with controlled drainage incorporated into the front rail
- Sealing lip in the top section prevents water from entering
- Enforced closure of the front rail by the stop cam
- Anti-wear fabric protection through sliding section in the inner casing
- Fabric fixing ensures that the fabric is taut

### Powder coating

- In 47 standard colours
- 6 standard colours available for colour-contrasting box and front rail end caps
- Surface permanently resistant to scratching and weather

### Pattern

- Large selection of fabrics from the current weinor collections

### Folding arm

- Tilting arm member with wind lock safety device and round steel linking chain
- Drop forged arm parts

### Drive

- Motor as standard

## Options

### Brackets

- Extruded wall/roof brackets, powder coated in the same colour as the awning

### Volant Plus valance for I 2000/ K 2000

- Width up to 600 cm x 300 cm projection angle (1-section unit); maximum height of valance fabric: 200 cm

### Options

- Removable valance, Standard height: 20 cm
- Crank mechanism
- Remote controlled motor

### Accessories

- Sun and rain monitors
- Automatic rain sensor
- Light Bar Lux
- Heating system Tempura

## The technical product highlights of the I 2000/K 2000

**I 2000**

### Specially designed for wall mounting

The I 2000 is specially designed for wall mounting whereby the masonry forms the natural border.

**Open-link chain in the titling arm member**

### The tilting arm member with chain

The open-link chain in the arm joint is made of special high-grade round steel and constantly undergoes continuous testing. Even after many thousand movements, no appreciable wear and tear can be detected. For this reason, we offer a 10-year guarantee on the open-link chain in the centre joint of the awning arm.

**Front rail with stop cam**

### The front rail holder with stop cam

The stop cam in the front rail ensures that the awning always closes properly. This guarantees that, when retracted, the fabric always has the best possible protection.

We reserve the right to make technical alterations. June 2010

**K 2000**

### Additional cassette back profile

No matter what the building situation – the K 2000 offers the perfect solution, be it wall, roof or rafter mounting. The additional cassette back section ensures that the fabric and the mechanical parts are well protected.

**Tilting part with wind lock safety device**

### The wind lock safety device

The patented wind lock safety device prevents the awning from being uplifted by surging winds, even if the awning has only been opened by a third.

### The angle adjustment mechanism

This is performed exclusively through the tilting arm members. The cassette itself stays firmly locked in place.

**Front rail holder with movable bearing**

### The front rail holder with movable bearing

The front rail holder with movable bearing adds more leeway, for example in the case of one-sided loads or the angle adjustment mechanism.

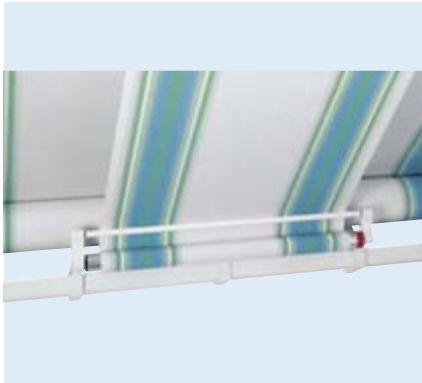
### The arm geometry

Ensures that the awning retracts and opens smoothly and prevents the fabric from resting on the tilting arm members.

## The technical product highlights of the I 2000 / K 2000

### Two coupling variations

There are two ways to couple/join broad awnings (6.01 m and above):



*Coupling with jockey cover*

#### 1. The jockey cover

The jockey cover separates the fabrics. The joint is hidden by an undercover fabric and tensioned by means of a spring-loaded shaft.

The jockey cover is to be particularly recommended for commercially used awnings and where the shape of the building requires separate, and consequently smaller, areas of fabric.



*Coupling with sliding support*

#### 2. The sliding support

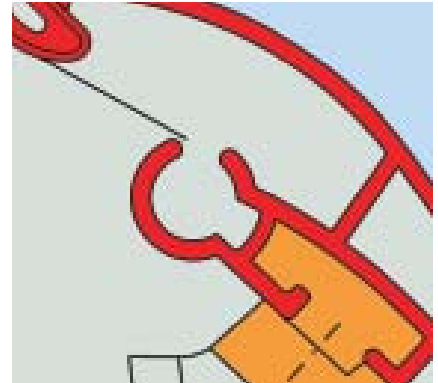
This helps to join the awnings with continuous fabric. The pattern is not interrupted.



*Sliding support*

### The gutter

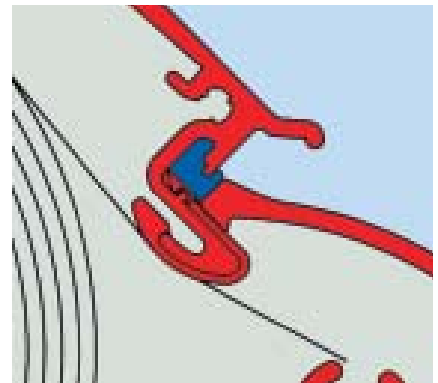
It takes the residual water which can collect if the awning is retracted when wet.



*Gutter*

### The sealing lip

The sealing lip ensures that the inside of the casing remains dry and that the front rail closes quietly.



*Sealing lip*

Description	Patent no
Awning with infrared radiator and/or loudspeaker	000001403442
Awning	000001310609
Awning	000000874104
Awning	000000745742
Florentine blind with articulated arms	000000665346
Tipping hinge for awnings	000000620334
Coupling arrangement for the rollers of awnings and similar	000000572820
Shading device	000000959195

## The technical product highlights of the I 2000/K 2000

### Quick and easy assembly

The top section is pre-assembled and comes complete with roof brackets and casing end caps. The **I 2000** and **K 2000** can both be assembled quickly and easily.

In this example of the **K 2000** you can see the most important benefits.



*Pre-assembled top section and front rail of a K 2000*



*Fork-shaped orifice in the wall bracket*

The fork-shaped hole in the wall bracket allows you to slide the support pipe in easily and, at the same time, enhances the lock-in effect.



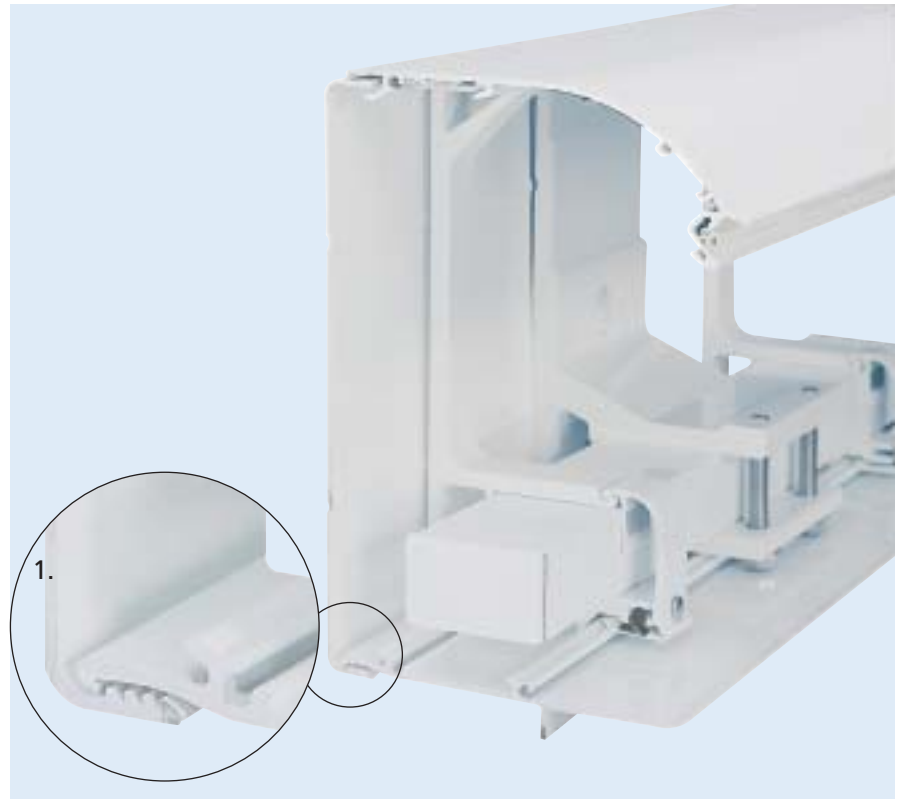
*Alignment grooves in the cassette back profile*

Since the cassette back profile comes with ready punched holes as standard, marking the position of the brackets is easy. Alignment grooves in the cassette back section and in the wall brackets are provided to ensure a perfect fit on assembly.

## The technical product highlights of the I 2000/K 2000

### Quick and easy assembly

1. Simply insert the awning into the affixed cassette back profile. Use the gear mechanism to compensate for any minor tolerances that may occur.



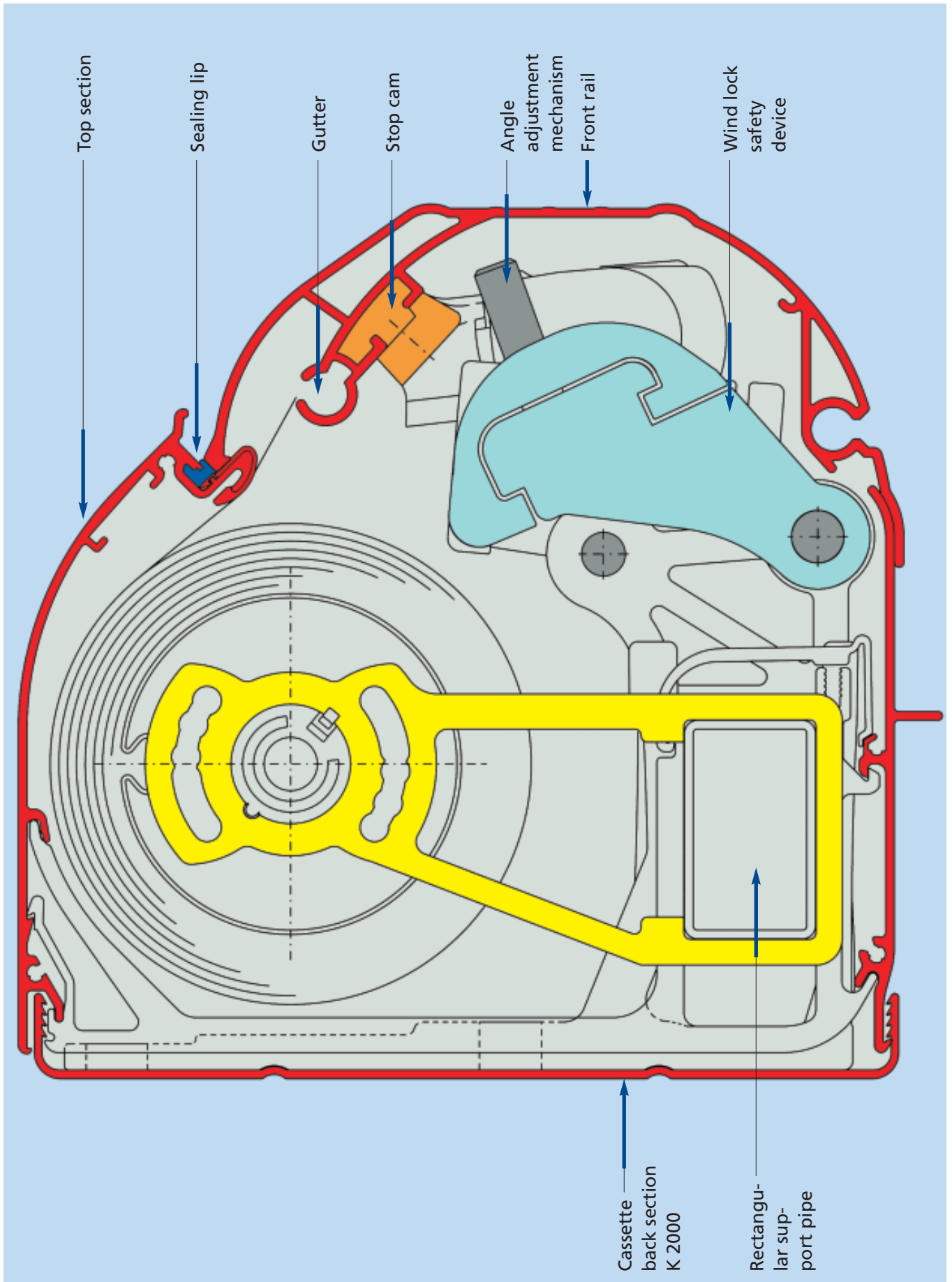
2. Having a clear view and access to the awning during the installation work ensures that the work carried out is of the highest standard (exception: "niche bracket"). The safety screws are readily accessible from below.

3. Push in the black slider on the bottom section clip once the bottom section has been affixed. This will give the bottom section added security.



# I 2000 / K 2000 Cross-section

We reserve the right to make technical alterations. June 2010



## Product benefits at a glance

Designation	Material	Surface treatment	Qualities	Your advantages
Tilting part Upper arm insert Centre joint Lower arm insert with front rail holder	Aluminium, drop-forged	Chrome-free pre-treated, powder coated	Highly resistant to breakage, surface permanently resistant to scratching and weather	The weinor tilting arm member is a masterpiece of modern awning technology. The advantages: special arm geometry and thus the fabric does not rest on it. Stability and durability thanks to the high-grade materials.
Rotating parts in the arm	Stainless steel bolts in bronze sleeves on bearings		Maintenance-free, rust-free, reliable	High-grade components mean permanent free movement when opening and retracting.
Arm section Front rail Top section Bottom section Cassette back section	Aluminium, extruded	Chrome-free pre-treated, powder coated	Surface permanently resistant to scratching and weather	You choose the powder coating colour for your awning sections to suit your personal taste. Pre-treating the profiles prevents corrosion altogether, even on damaged surfaces.
Open-link chain in the arm	Round steel, special high grade		Extremely high resistance to wear and tear	Virtually non-wearing in continuous testing – therefore 10-year guarantee on the open-link chain in the centre arm joint.
Drop arm lock	Aluminium slider, extruded		Maintenance-free, rust-free, reliable	Innovative weinor technology. Prevents the awning from lifting up and crashing down in gusting winds.
Fabric roller bearing Top bracket with clips	Aluminium, extruded	Machine-edged, chrome-free pre-treated, powder coated	Surface permanently scratch and weather resistant	Sophisticated quality, precise and weather resistant down to the very last detail.
Rectangular support pipe 50 x 30 mm	Steel	Galvalume coated, chrome-free pre-treated and powder coated	High torsional strength, surface permanently weather-resistant	Quality, stability and weather resistance that you can depend on permanently.
Casing end caps and front rail	Cast aluminium	Powder coated in casing colour	Surface permanently weather resistant	Weather resistant down to the very last detail.

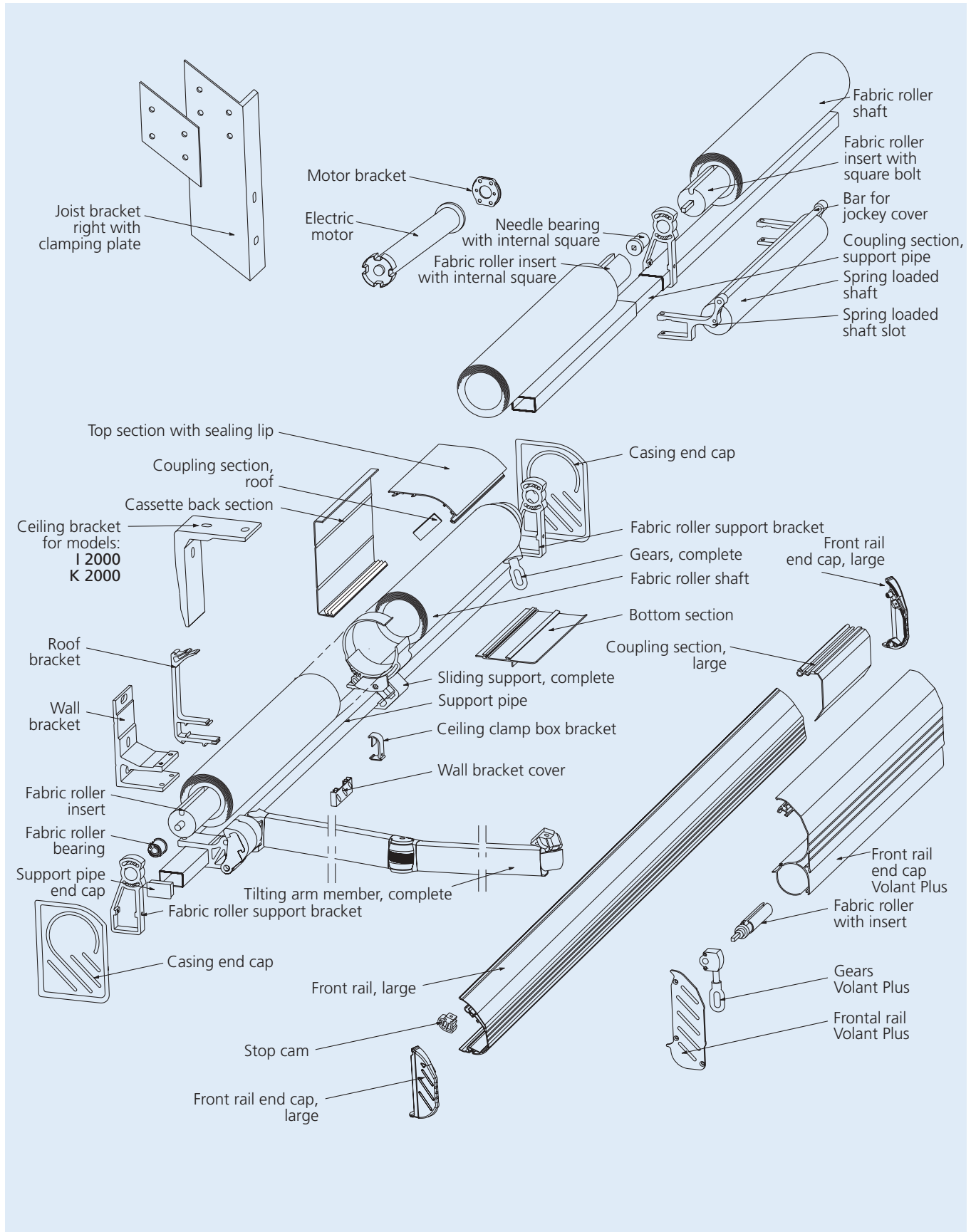
**Product benefits at a glance**

Designation	Material	Surface treatment	Qualities	Your advantages
Screws	Stainless steel		Non-corrosive	No rust, no appreciable wear and tear
Awnings material	Acrylic		Spin-jet dyed, impregnated	The weinor fabric collection offers a wide variety of sophisticated designs.
	Polyester	Spinneret dyed; high-clean nano-coating; polyester yarn; innovative weaving pattern	UV-resistant; dirt- and oil-repellent; very good recovery properties	High colour fastness; clean fabric; very good coiling properties; good fabric positioning
	Waterproof polyester	Spinneret dyed; high-clean nano-coating; polyester yarn; innovative weaving pattern; special water-tight coating	UV-resistant; dirt- and oil-repellent; very good recovery properties; withstands 1000 mm of water column; glued inner seams as standard	High colour fastness; clean fabric; very good coiling properties; good fabric positioning; withstands constant rain; suitable as a rain protection unit
Drive motor			Precision, sturdy construction	The awning is opened and retracted by an electric tubular motor which is integrated into the fabric roller and which can be operated, for example, by a wall switch.

## Product options at a glance

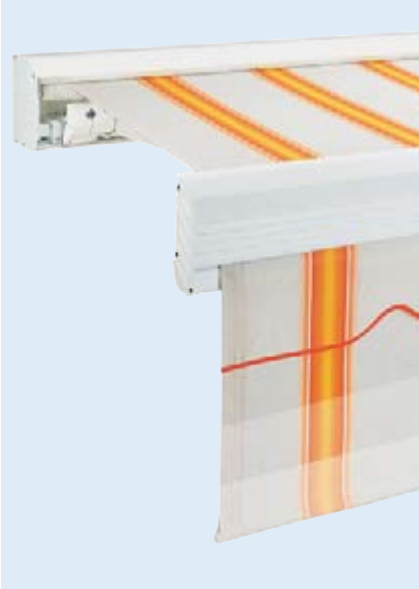
Designation	Material	Surface treatment	Qualities	Your advantages
Awning fabric from external suppliers	Acrylic	Spin-jet dyed, impregnated	Warp printed, watertight	Even greater selection of unicolour and striped fabrics.
Removable valance	Acrylic	Spin-jet dyed, impregnated	Light and weather proof	The piped border makes fitting and removing the valance simple.
Volant Plus valance	Acrylic or Soltis®	Spin-jet dyed, impregnated, specially coated polyester fibre	Light- and weather proof, microvented, light permeable	The fabric on the Volant Plus valance can be cranked open to a length of 200 cm. The piped border makes fitting and removing the valance simple.
Drive crank mechanism with limit stop	Gearing 4.4:1	Gear casing powder coated in black (similar to RAL 9005), white (similar to RAL 9016) or grey (similar to weinor 7319)	Gears with limit stop, easy to operate	Completely free from operating error. The limit stop prevents the fabric from rolling up incorrectly.
Remote-controlled drive				On request, an integrated tubular motor with <b>WeiTronic receiver</b> can be fitted. The <b>WeiTronic Remoto handheld remote control</b> makes for easy operation of the awning. See the Accessories section for more details.
Light bar	Aluminium, extruded	Chrome-free pre-treated, powder coated	Surface permanently resistant to scratching and weather, dimmable	The weinor <b>light bars Lux</b> and <b>Lux Design</b> can be mounted directly onto the wall of the house. They are operated by means of a wall switch or remote control device. See the Accessories section for more details.
Heating system Tempura	Corrosion-free materials	Chrome-free pre-treated, powder coated	Splash-proof, for use indoors and outdoors	The <b>Tempura heating system</b> can be mounted directly onto the wall of the house. It is operated by means of a wall switch or remote control device. See the Accessories section for more details.
Wall and ceiling brackets	Aluminium, extruded, sections cut and machined	Machine-edged, chrome-free pre-treated, powder coated	Surface permanently scratch and weather resistant	Sophisticated quality, precise and weather resistant down to the very last detail. Easier service due to use of same components.

Exploded drawing of I 2000/K 2000

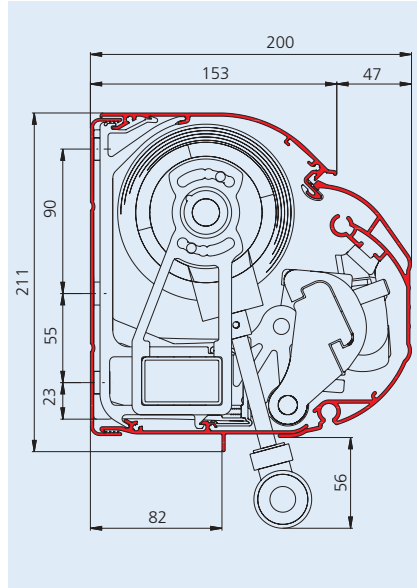


We reserve the right to make technical alterations. June 2010

## Optional Volant Plus



*K 2000 with Volant Plus valance*

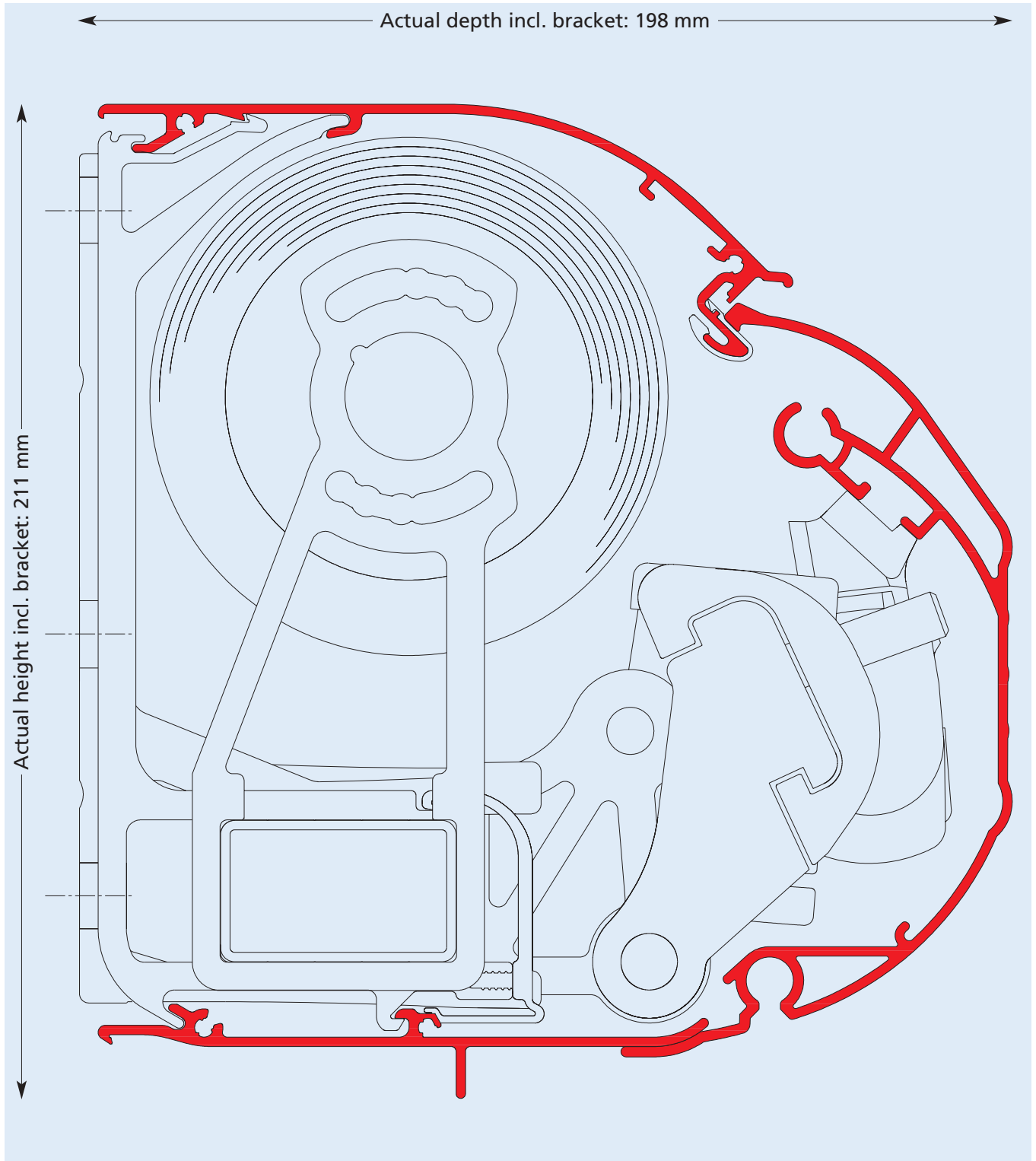


*Cross-section of the K 2000 with Volant Plus valance*

### weinor Volant Plus

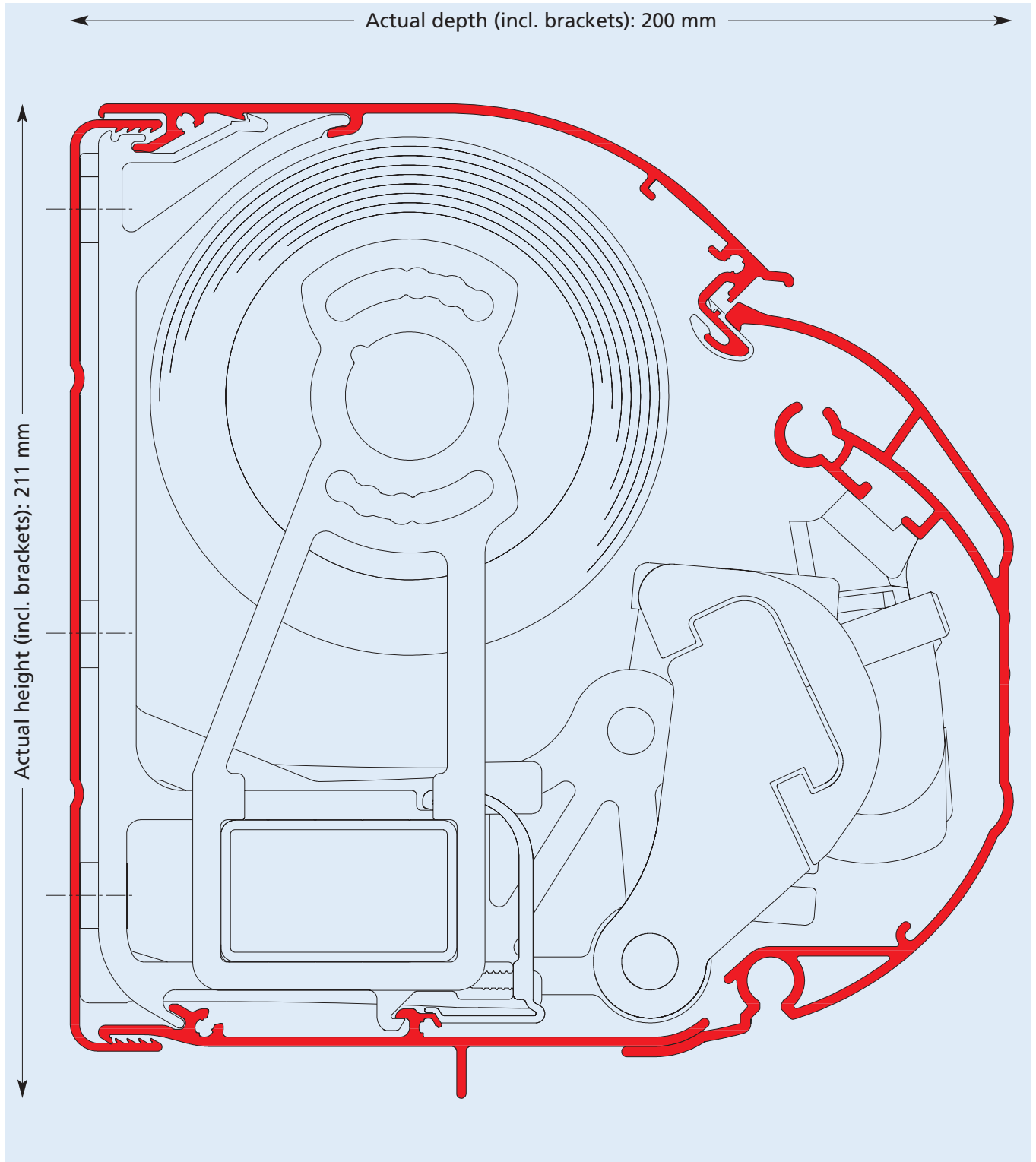
- Protects against low sun or curious onlookers
- Can be opened to any length using the crank. The gearing is on the same side as the motor.
- For awning widths of up to 600 cm the maximum projection is 300 cm.
- The maximum width of the Volant Plus valance is 200 cm.

Cross-sectional drawing I 2000 – not to scale



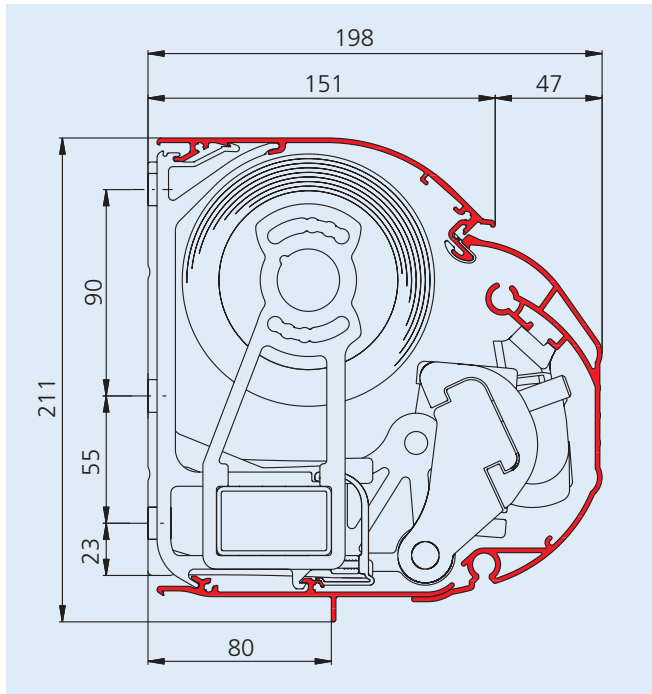
We reserve the right to make technical alterations. June 2010

Cross-sectional drawing K 2000 – not to scale

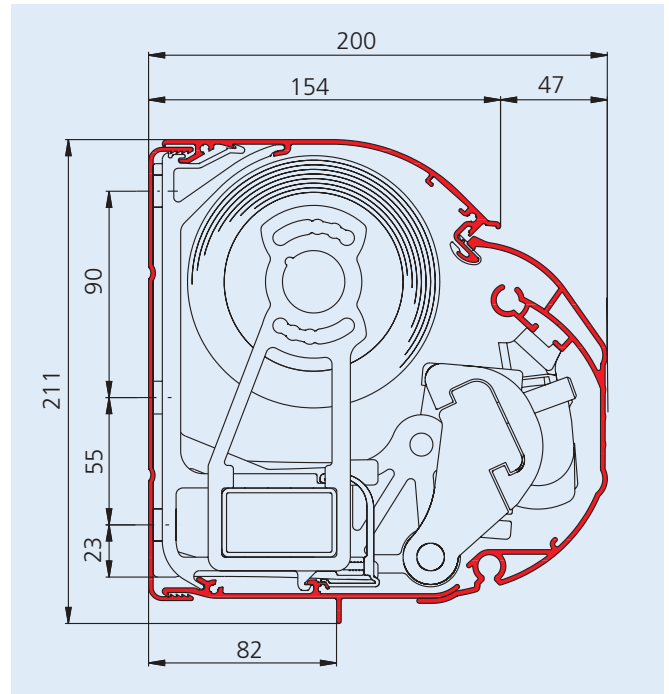


We reserve the right to make technical alterations. June 2010

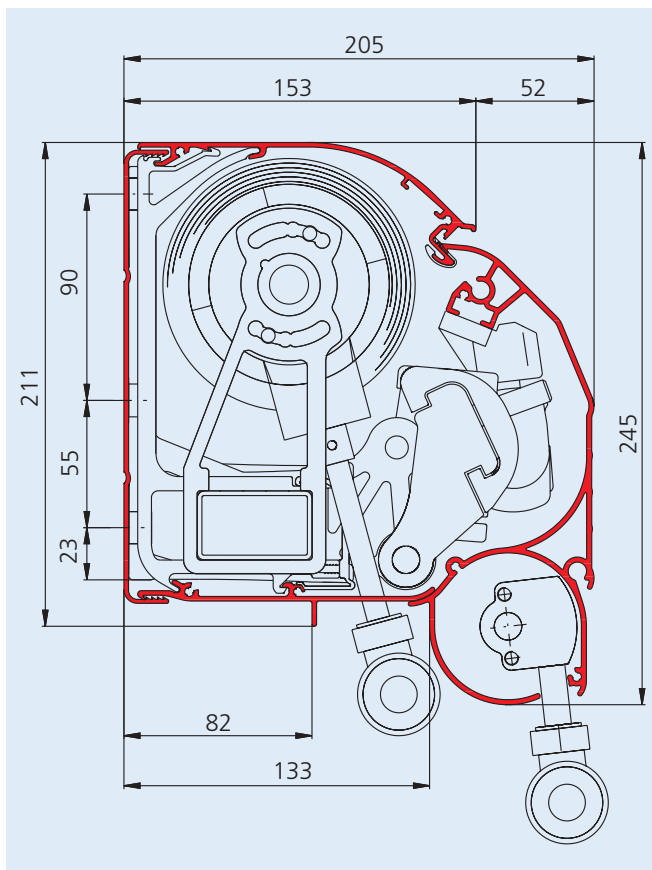
Cross sections and dimensions



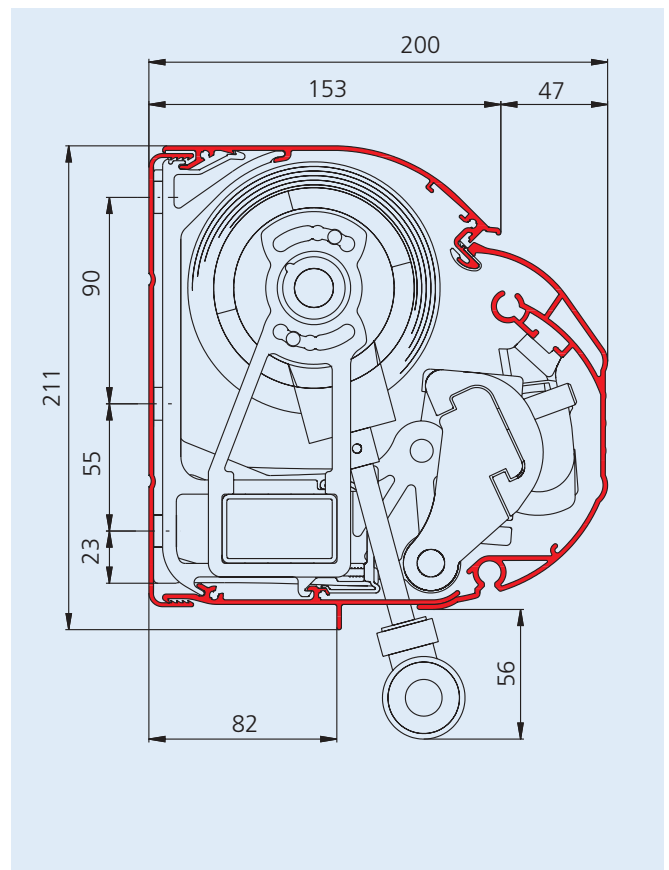
Cross section I 2000



Cross section K 2000



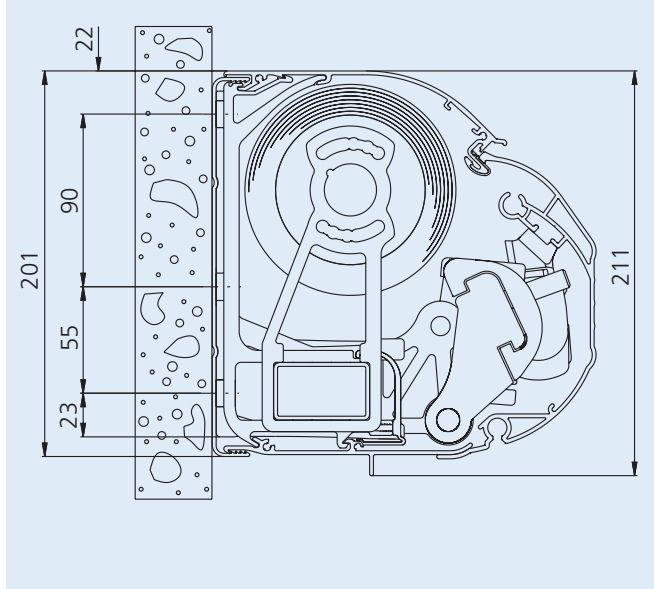
Cross section K 2000 with Volant Plus section



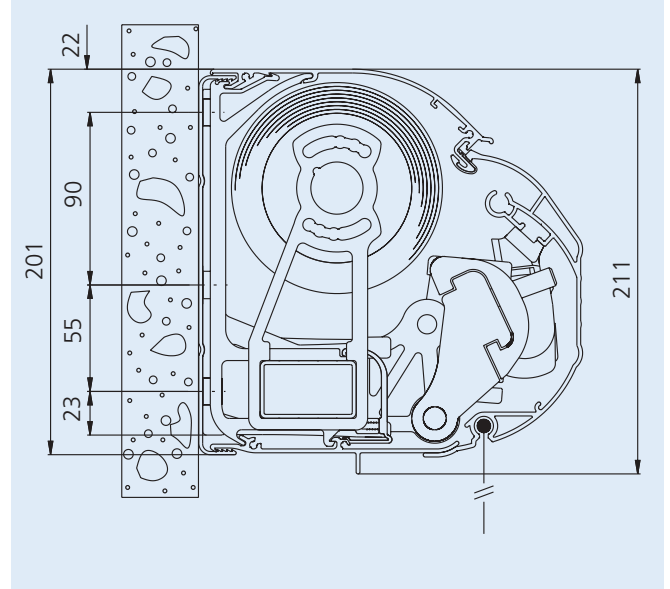
Cross section K 2000 with gears

We reserve the right to make technical alterations. June 2010

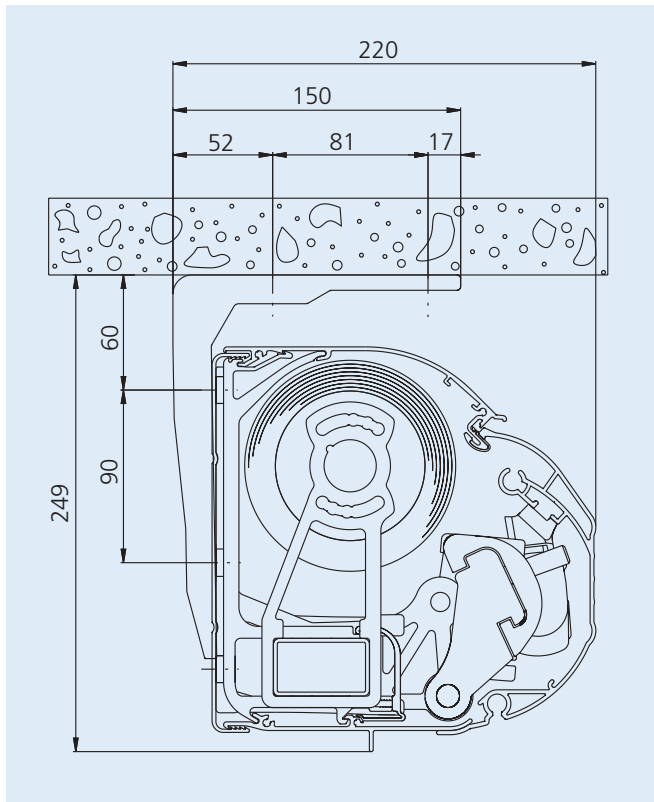
Installation options, Examples



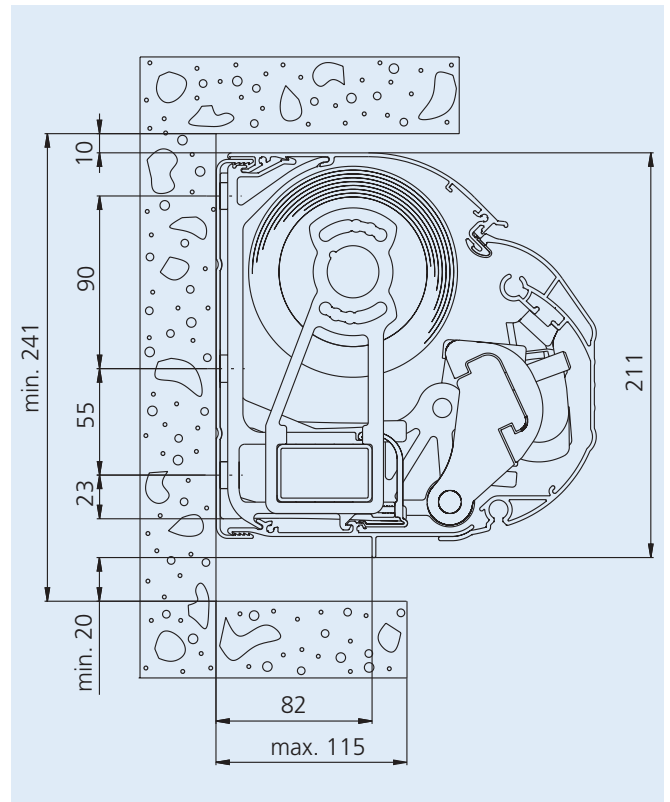
Wall-mounted K 2000 with "Standard" wall bracket



Wall-mounted K 2000 with Volant Plus valance.  
Overall height: approx. 400 mm



Roof-mounted K 2000 with ceiling bracket

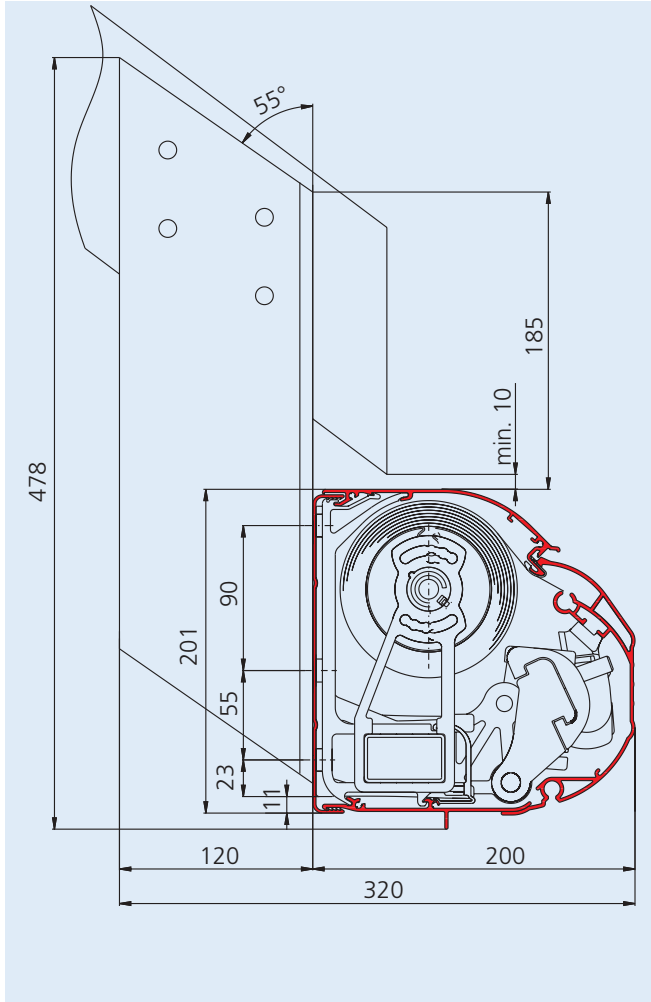


Niche assembly K 2000 with "Niche" wall bracket

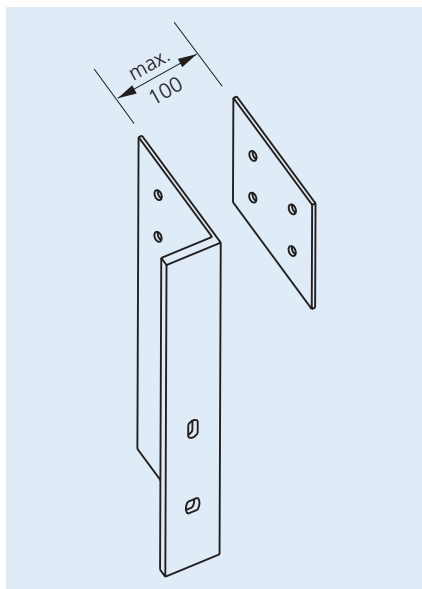
We reserve the right to make technical alterations. June 2010

Installation options, Examples

Rafter-mounted K 2000 with rafter, left



We reserve the right to make technical alterations. June 2010



◀ Joist bracket left as seen from the outside

Joist bracket right as seen from ▶ the outside

