



## Ageless design and perfect function

An awning does not only provide shade, it also offers protection and creates an atmosphere. An atmosphere in which you should feel at home. Your patio or balcony is transformed into a living area where you can enjoy the summer in almost all weathers.

The stainless steel awnings series from markilux offers you two designer awning options in the markilux ES-X and the ES-1, where form and function are combined in complete harmony. Engineered to complement modern and classical architecture perfectly. Clear lines and the finest materials provide your shaded area with elegance and the feeling of generous space - an oasis of peace and tranquility for family, friends, neighbours and guests.

However, a stylish home should also bear the signature of its owner. Therefore both models are available in a large selection of awning covers. We would of course be pleased to assist you in choosing the cover which is best suited to your requirements.

And what about the times you do not need your awning? Just simply stow it away. An awning cassette in semi gloss, marine-grade brushed stainless steel protects the cover from wind and weather. Here ageless design meets perfect function – made to last a small lifetime.







## markilux ES-1: aesthetically pleasing in its entirety

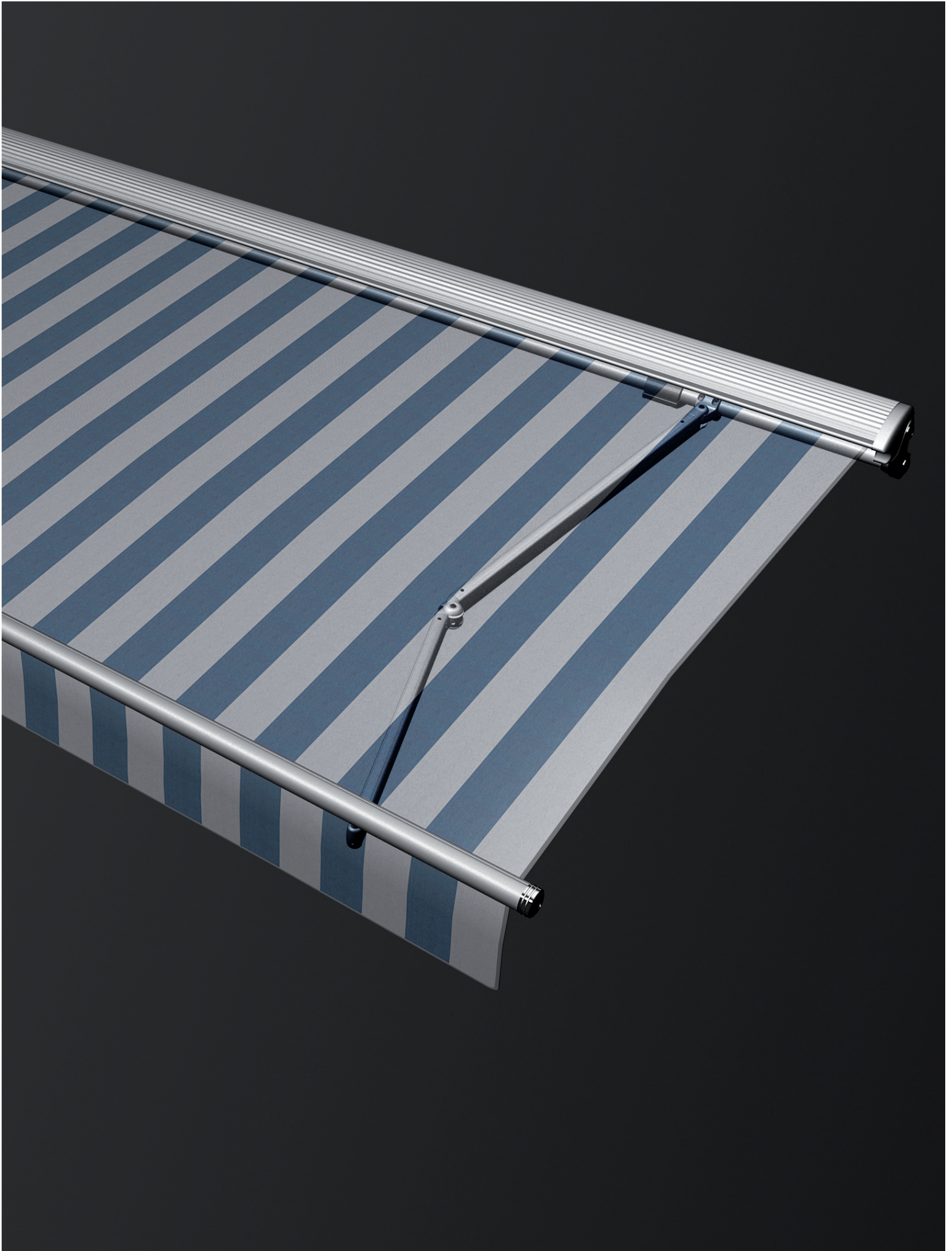
When the markilux ES-1 came onto the market, it was greeted with astonishment. An awning made completely from stainless steel? It was unique, and remains so to this day. After all, the markilux ES-1 is more than just an awning: it is truly incomparable, a masterpiece and one of today's design classics, catering for the highest demands in terms of materials and appearance.

## markilux ES-X: perfection in design and technology

Inspired by the classic design of the markilux ES-1, markilux has developed the ES-X: it embodies the elegant form and clear lines of the design classic. Those parts exposed to the weather are, as with the markilux ES-1, all made from brushed stainless steel. New, however, is the innovative arm technology which uses a bionic tendon to create a tauter cover in combination with proven material components manufactured in soil-resistant, coated aluminium and steel. In this instance visual elegance is combined with technical perfection to create an awning which offers attractive value for money.









## markilux ES-X: perfection in design and technology

### Technology

The markilux ES-X is a designer awning manufactured in semi gloss, marine-grade brushed stainless steel combined with other tried and tested materials. The torque bar, produced in powder-coated galvanised steel, ensures unbeatable stability. Likewise, the bionic tendons which are an innovation in aluminium folding arm technology. They guarantee optimum cover tension and enable the arms to fold without friction or noise. The folding arms and torque bar are protected by a dirt-resistant coating, the colour of which creates a fine contrast with the stainless steel. The coating protects the material from the weather and corrosion.

### Dimensions

The markilux ES-X is available in widths of up to 6.50 m and a maximum projection of 3.00 m or a width of 6.00 m and a maximum projection of 3.50 m.

### Covers

The markilux ES-X can be combined with all the fabrics from the markilux collection. All covers are manufactured with bonded seams using ultrasonic technology. This ensures that a homogeneous appearance is achieved, free of undesirable stitched seams. A valance complements the awning's appearance and is included within the scope of delivery.

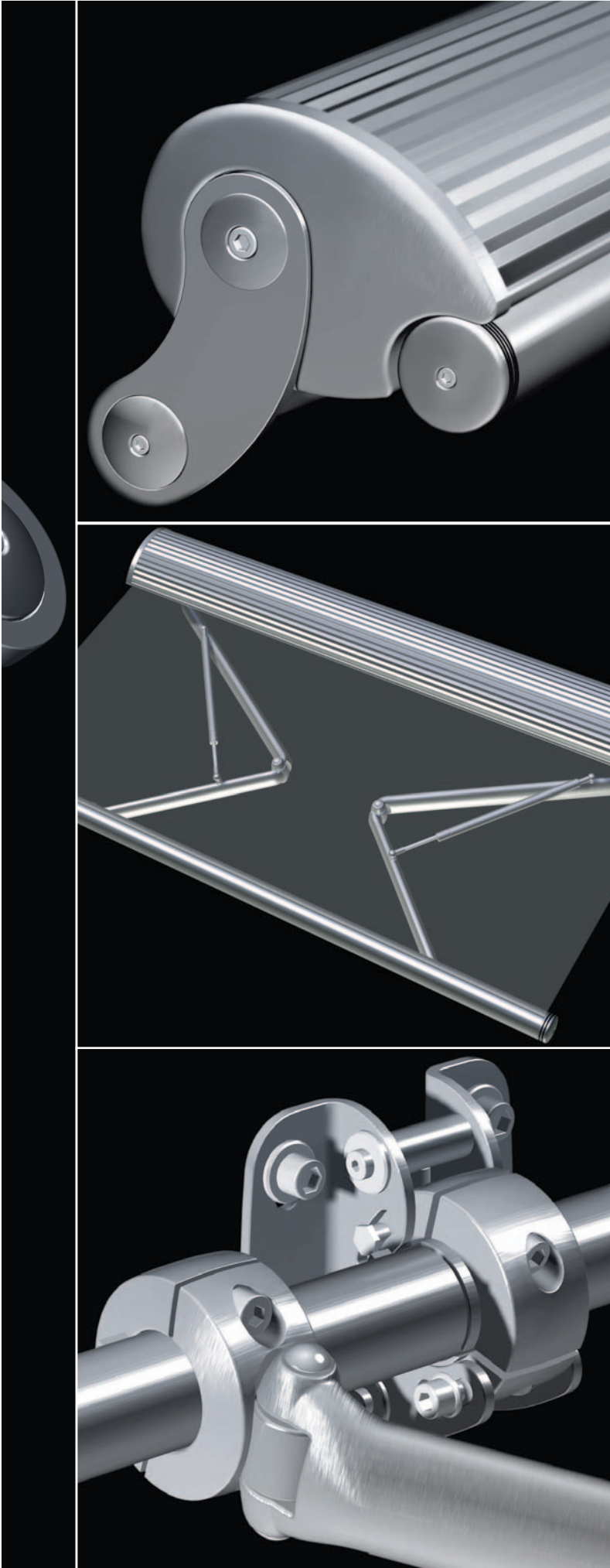
### Form

Like its archetype, the markilux ES-1, the ES-X is also a true masterpiece, exhibiting ageless design and perfect function.

### Operation

The markilux ES-X is equipped with a radio-controlled motor and a remote control as standard.





## markilux ES-1: aesthetically pleasing in its entirety

### Technology

The markilux ES-1 is the masterpiece amongst markilux awnings. It is the only awning in the world which is manufactured solely in semi gloss, marine-grade brushed stainless steel. Elegant gas-tensioned arms run in Teflon-coated bronze bushes, ensuring that the optimum cover tension is maintained across all extension phases. The end caps come in a choice of combinations comprising stainless steel, copper or brass.

### Dimensions

The markilux ES-1 is available in widths of up to 6.50 m and a maximum projection of 3.00 m or a width of 6.00 m and a maximum projection of 3.50 m.

### Covers

The markilux ES-1 can be combined with all the fabrics from the markilux collection. All covers are manufactured with bonded seams using ultrasonic technology. This ensures that a homogeneous appearance is achieved, free of undesirable stitched seams. A valance complements the awning's appearance and is included within the scope of delivery.

### Form

The markilux ES-1 was developed to the highest standards, aspiring to be the most attractive awning in the world. It is the perfect combination of form, function and material.

### Operation

The markilux ES-1 is equipped with a radio-controlled motor and a remote control as standard





## markilux – made to last a lifetime

If you choose a markilux, you will soon realise that you have bought more than just an awning. After all, every markilux is a true masterpiece of quality and technology. It will provide enjoyment for a very long time.

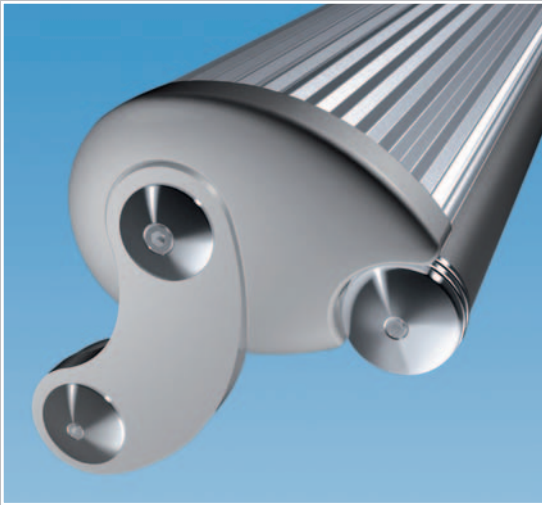
We are constantly developing our products with the aim of offering our customers the best, every time. To achieve this, we utilise our decades of technical experience in the development and production of awnings and awning covers.

Every markilux is therefore the perfect combination of aesthetically pleasing looks and high-end technology. Carefully selected, tried and tested materials, such as aluminium and steel, provide the awnings with maximum possible strength and make them exceptionally stable. Specially chosen materials also lend the awnings in the stainless steel awning series their ageless elegance.

The beautiful and intense colours of the awning covers from markilux cannot be dampened by the effects of the sun, rain and cold weather. They are tear-proof and UV, weather and dirt resistant, the latter making them very easy to clean. All this is guaranteed by the latest surface finishing processes which not only protect the material but also guarantee the best standards in sun protection to the user.

You can rest assured: you will enjoy life on your patio or your balcony even more with a markilux awning – and not just for a couple of summers but your whole life long.

safe · timeless · beautiful



Your partner:

7609426

www.markilux.com

safe · timeless · beautiful



# Stainless Steel Designer Awnings **markilux** ES-X and ES-1

Today's classic choices  
in the world of awnings

