

safe · timeless · beautiful



## *markilux* 6000

The markilux in the three style lines Club, Studio, Lounge and with new arm technology.



## markilux 6000

The markilux in the three style lines Club, Studio, Lounge and with new arm technology.

- design features**
- High class full cassette in appealing design in 3 style lines. Presented with the Red Dot Design Award 2006
  - For long-lasting beauty: the cassette and frame are powder coated. In the Lounge version even with a dirt-repellent finish.
  - The cover profile is in the same colour as the cassette; This provides for a closed appearance even when the awning is extended.
  - The possibility of mixing and matching the colour of the cassette with that of the end cap trim and the end cap insert make the markilux 6000 a personally individual awning.
  - Elegant bracket cowling; Design down to the last detail.

- technical highlights**
- When closed the folding arms are protected from the weather by the cassette.
  - Front profile with integrated gutter and hidden water drainage spouts.
  - Unique arm technology with power transmission using a bionic tendon made of high-tech fibres with extremely high tensile strength.
  - The spring-tensioned modules - which have been matched to the awning extension - provide optimum cover tautness.
  - High lateral awning stability by virtue of the longer upper and shorter lower arm.

- optional accessories**
- In the case of manual operation ease of use is ensured with the spring-assisted gearbox.
  - Hard-wired motor drive (optionally with automatic controls) for simple, relaxed operation.
  - Radio-controlled motor with handheld transmitter for ease of operation - and ergonomically crafted for ease of use.
  - The shadeplus creates an additional room on the patio. Protection from sun, wind and inquisitive glances in one.
  - The shadeplus is also available in large widths and with no central split in the cover by virtue of the new floating bearing system.

- Awning covers made from acrylic fabric or sunsilk snc with self-cleaning effect
- The panel joints of the awning cover are ultrasonically bonded to give a better appearance without bothersome stitching
- Manual operation includes a markilux stainless steel winding handle - quality to get to grips with
- Folding arms with drop-forged joint components made of aluminium. The pivot bolts sit in Teflon-coated bronze bushes for high stability and longevity
- The 85 mm roller tube ensures the highest rigidity and the best possible cover winding characteristics even at the largest widths
- The particularly robust design of the awning enables even very large areas to be shaded safely
- Awnings more than 700 cm wide are available as coupled units
- Simply pitch adjustment via the bracket without necessitating readjustment of the front profile
- All screws and bolts are made of stainless steel
- The lighting in the front profile provides a pleasant atmosphere on the patio
- markilux infra-red heating in a compact, aluminium housing. Caressing warmth with no heating-up phase within an area of approx. 9-12 m<sup>2</sup>
- The awning is available in non-standard RAL colours
- An easily installed sun and wind sensor provides intelligent control and essential protection
- Wall sealing profile to cover the gap between awning and wall
- A valance is available

### Folding-arm cassette awning markilux 6000



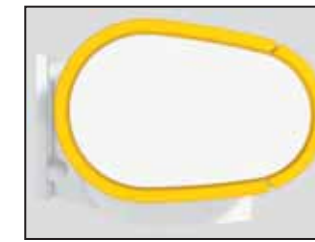
folding-arm with bionic tendon



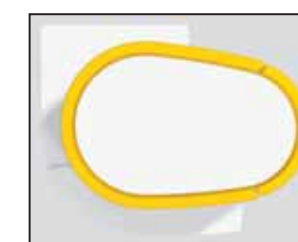
bionic tendon and hidden cable conduit in the arms



wall sealing profile (optional)



side view with awning closed, face fixture



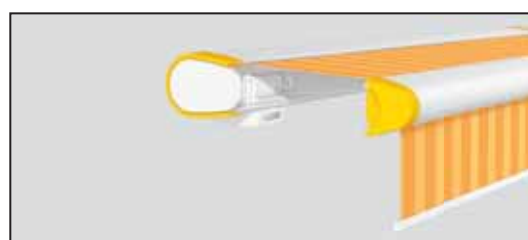
side view with awning closed, top fixture



front profile with integrated fluorescent lighting (optional)



shadeplus and fluorescent lighting in the front profile (optional)



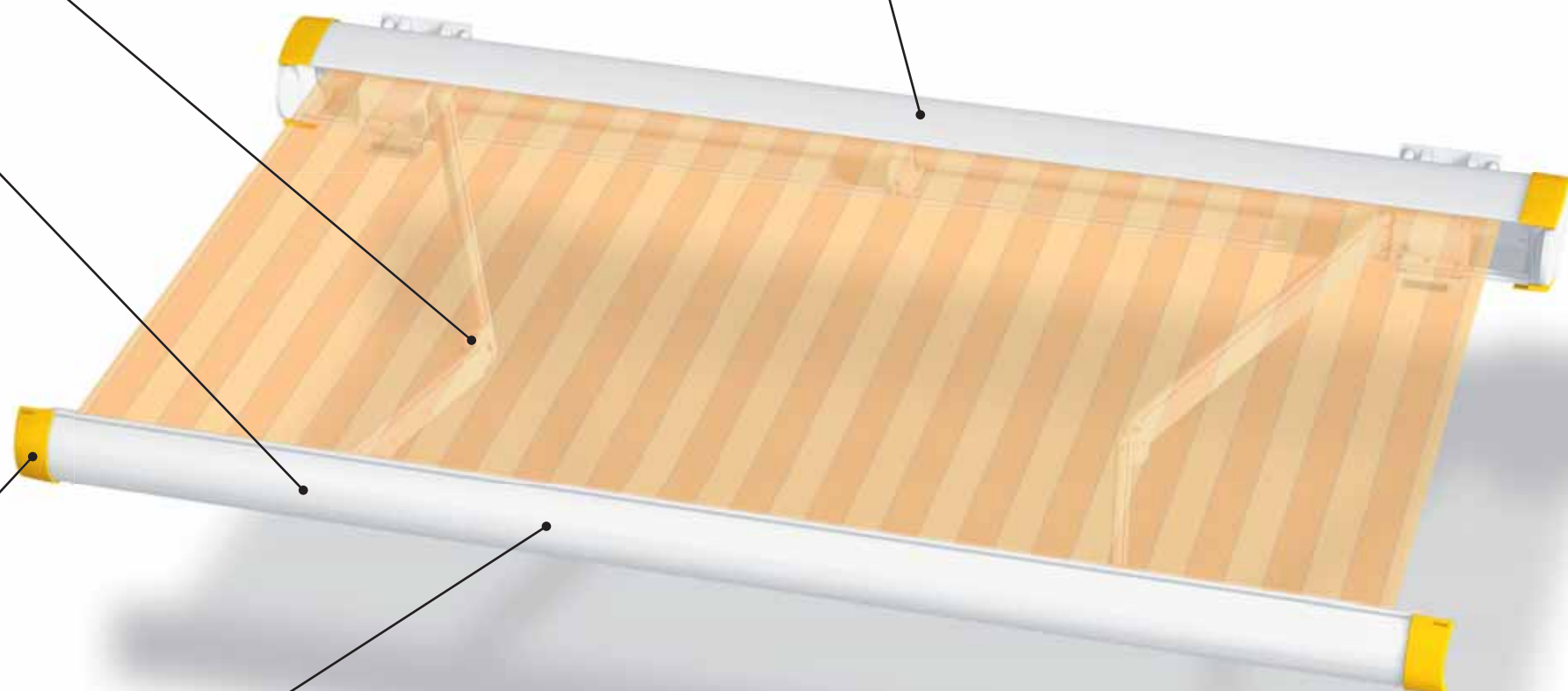
shadeplus (optional) integrated into the front profile



gutter with hidden water spout



markilux spots in the front profile



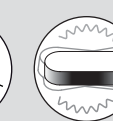
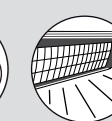
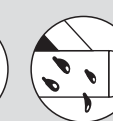
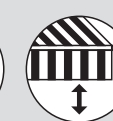
Standard RAL colours:



standard:



optional accessories:



safe · timeless · beautiful



## ***markilux*** 6000

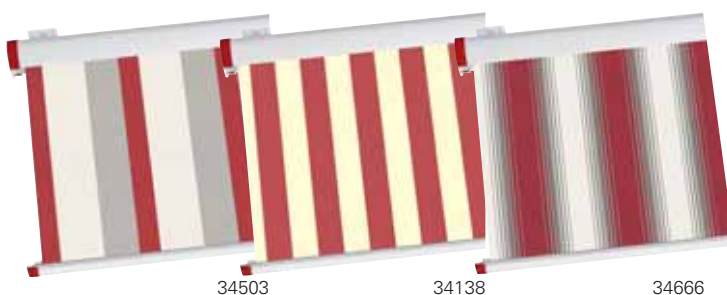
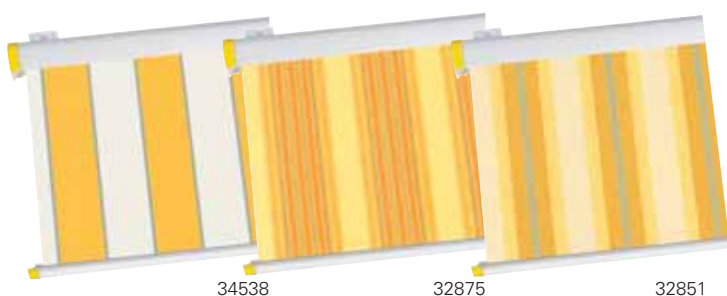
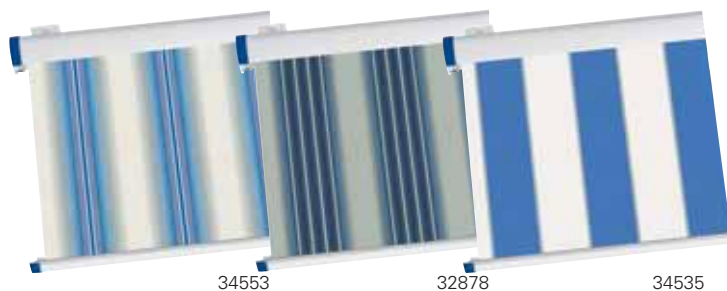
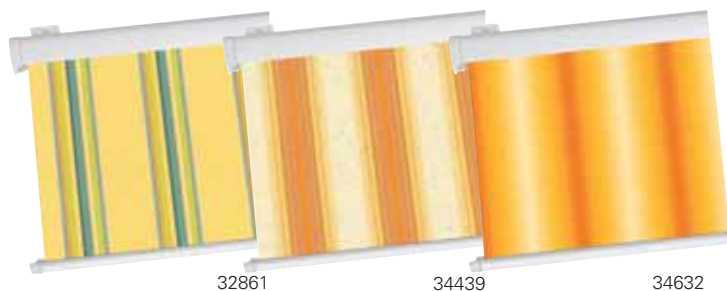
The markilux in the three style lines Club, Studio, Lounge and with new arm technology.



## Club style line

The fabric patterns depicted come highly recommended in combination with the markilux 6000 Club. Of course you are also free to choose from the complete range of fabrics we offer. (The Club style line is available without surcharge)

frame colours	End cap trim colours	End cap insert colours
Traffic white RAL 9016	Traffic white RAL 9016	Traffic white RAL 9016
	signal blue RAL 5005	
	signal yellow RAL 1003	
	ruby red RAL 3003	

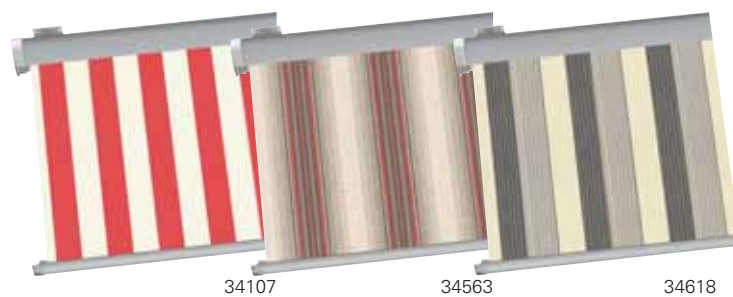
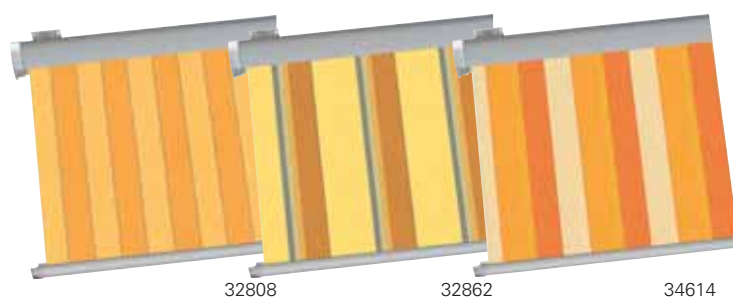
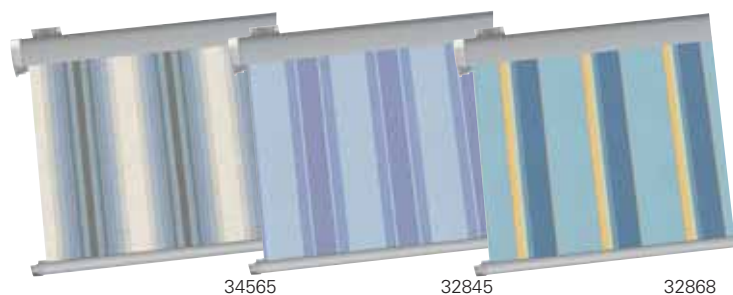
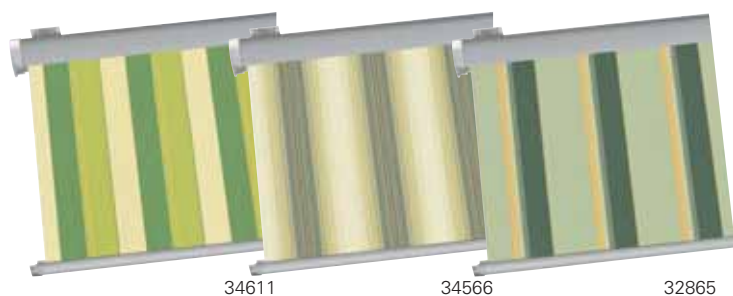


# markilux 6000

## Studio style line

The fabric patterns depicted come highly recommended in combination with the markilux 6000 Studio. Of course you are also free to choose from the complete range of fabrics we offer. (The Studio style line incurs a surcharge)

frame colours	End cap trim colours	End cap insert colours
metallic aluminium RAL 9006	Polished chrome	light green
		light blue
		orange
		red



## Lounge style line

frame colours	End cap trim colours	End cap insert colours
Nano off-white textured finish 5233	Nano off-white textured finish 5233	Nano off-white textured finish 5233
Nano stone grey metallic 5215	Nano stone grey metallic 5215	Nano stone grey metallic 5215
Nano anthracite metallic 5204	Nano anthracite metallic 5204	Nano anthracite metallic 5204
	Polished chrome	Wood look finish
	Black chrome	Stainless steel mesh

### Nano off-white



### Nano stone grey metallic 5215



### nano-anthracite metallic 5204



## markilux 6000

## dimensions and configuration options

extension	Overall blind width										minimum width motor <sup>10)</sup>		minimum width manual operation <sup>10)</sup>	
	250 208-250	300 251-300	350 301-350	400 351-400	450 401-450	500 451-500	550 501-550	600 551-600	650 601-650	700 <sup>20)</sup> 651-700	Standard	Bespoke arms	Standard	Bespoke arms
150	28)										221	208	221	208
200		28)									271	258	271	258
250			28)								321	308	321	308
300				28)							371	358	371	358
350 <sup>12)</sup>					28)				21) 53)		421	408	421	408
400 <sup>3) 19)</sup>						28)				54)	471	458	471	458

dimensions in cm

3) a shadeplus is not possible (at an extension of 400 cm)

10) the dimensions are only valid for fixture without spreader plates (2 folding arms).

12) A shadeplus and lighting are not both available at this extension.

21) awnings with 3 arms are only available with motor (surcharge).


19) awnings with 4 m extension are only available with motor (surcharge).

28) Please note the minimum widths!

53) smallest awning width with 3 arms 655 cm.

54) smallest awning width with 3 arms 700 cm.

Due to the compact awning construction and depending on the width and the arm length, contact between cover and folding arms may occur during extension and retraction. This does not affect the functionality or longevity of the awning.

 = available, 2 folding arms, 2 brackets

 = available, 3 folding arms

operation type	
manual operation with st. steel winding handle	●
Servo-assisted operation	○
radio-controlled motor	○
motor	○
Shadeplus	
manual operation	○
radio-controlled motor	○
motor	○
Lighting	
Halogen Spotlights	○
Fluorescent lighting	○
covers	
acrylic 34 (fabric series 341xx-347xx)	●
sun silk SNC (fabric series 324xx/329xx)	●
signature (fabric series 369xx)	●
transilk FR (fabric series 319xx)	-
transolair (fabric series 339xx)	-
widely woven acrylic (fabric series 349xx)	-
perla FR (fabric series 374xx/379xx)	○
Soltis 92	○ <sup>2)</sup>
PVC fabric	○ <sup>2)</sup>
miscellaneous	
Coverboard	-
Sytem coverboard	-
wall sealing profile	○ <sup>3)</sup>
Pitch adjustment gear	-
Insertable side blind	○
sun and wind sensor	○
Valance	○
Infrared heater	○
Vibrabox / Sunis sun sensor	○
Coupled units (please refer to fixture)	
coupled unit 2 fields	○
coupled unit 3 fields	-
junction roller	○
one-piece cover (on request)	○

● = fitted as standard

○ = optional accessory

- = not available

○<sup>2)</sup> = PVC/Soltis 92 covers available up to a max. width of 600 cm and a max. arm length of 250 cm.○<sup>3)</sup> = wall sealing profile effective up to an awning pitch of 35°

**Definition of extension:** The extension is measured with the awning extended at a pitch of approx. 15° from the wall over the cover to the leading edge of the front profile. The extension tolerance is -40mm / +40mm

In the case of manual operation, assume approx. 16 winding handle revolutions per metre of awning extension.

Extension when using a motor takes approximately 12 seconds per metre.

**Definition of shadeplus drop:** The shadeplus drop is measured from the bottom edge of the shadeplus profile to the bottom edge of the valance profile. Because of tolerances in fabric thicknesses the drop may be shorter by up to 5 cm.

A manual shadeplus is available in the standard drops of 150 cm and 190 cm

A motorised shadeplus is available in the standard drops of 140 cm and 210 cm (210 cm only in transilk (319xx), transolair (339xx), seamless widely woven fabrics (349xx) or Soltis 92. A shadeplus cover in Soltis 92 with a drop of more than 170 cm will have a horizontal seam.


A shadeplus is not possible with PVC covers.

**Coupled folding-arm awnings are available up to a max. of 2 single units positioned next to one another and only operated by motor.**

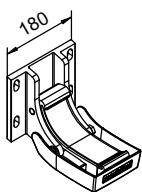
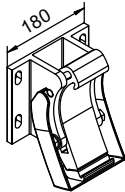
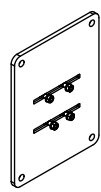
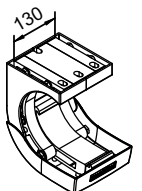
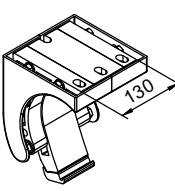
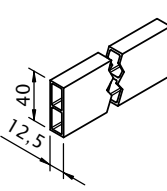
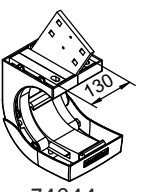
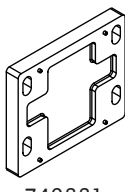
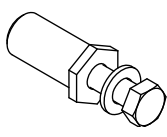
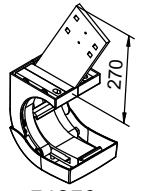
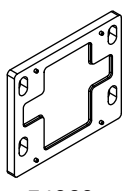
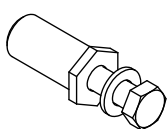
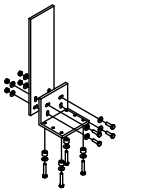
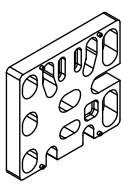
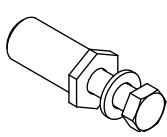
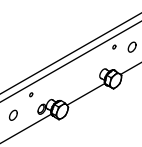
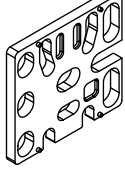
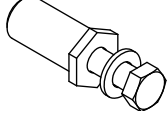
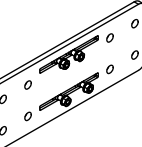
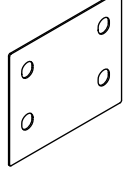
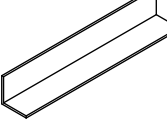
Optionally available with junction roller. Pattern repeat mismatches are possible in the case of junction roller covers.

except when the extension is the maximum for the width of each awning. (see also arm separation table)

If coupled awnings are to be fitted into a recess or reveal the overall width of the coupled blind or awning must be at least 6 cm less than the width of the opening to allow the blind/awning to be coupled. Make a special note if the awning is to be fitted into a recess/reveal and note the reveal width separately.

frame colours		
	RAL 9016 traffic white RAL 9016 (Club)	●
	RAL 9006 metallic aluminium RAL 9006 (Studio)	○
	5204 Nano anthracite metallic 5204 (Lounge)	○
	5215 Nano stone grey metallic 5215 (Lounge)	○
	5233 Nano off-white textured finish (Lounge)	○
	non-standard RAL colour	○

## fixings and accessories

 74909.	Face fixture bracket assembly 5 - 35°  180mm	 74928.	Face fixture bracket assembly 36 - 70°  180mm	 75327.	Component assembly spreader plate B  300x400x12mm
 74903.	Top fixture bracket assembly 5 - 35°  130mm	 74905.	Top fixture bracket assembly 36 - 70°  130mm	 751971	stand-off strip for wall sealing profile  available by the metre Fixture example, see face fixture with wall sealing profile
 74944.	Eaves fixture bracket assembly 5 - 35°  130	 749881	Spacer plate for face fixture  150x180x20mm N.B! stack to a max. of 200 mm	 753891	reducing bolt assembly M 16 - M 12 / SW 27 50mm length  (please refer to "Technical Information")
 74970.	Eaves fixture bracket assembly 5 - 35°  270mm	 74989.	Spacer plate for face fixture  150x180x12mm	 754901	reducing bolt assembly M 10 - M 10 / SW 27 50mm length (please refer to "Technical Information")
 741290	Angle and fixture plate for eaves fixture  machine finish	 716331	Spacer plate for top fixture  136x150x20mm N.B! stack to a max. of 200 mm	 754911	reducing bolt assembly M 12 - M 10 / SW 27 50mm length (please refer to "Technical Information")
 75383.	Additional eaves fixture plate  60x260x12mm	 71644.	Spacer plate for top fixture  136x150x12mm	 754921	reducing bolt assembly M 16 - M 10 / SW 27 50mm length (please refer to "Technical Information")
 75328.	Component assembly spreader plate A  160x430x12mm	 71838.	Cover plate for external insulation  190x220x2mm	 701809	angled profile  160x160x12mm available by the metre, undrilled

. = Please insert the RAL No. (please refer to the section on "Coatings")

# markilux 6000

## Face fixture

Pull-out force [N=Newton] per fixture point according to EN 13561, wind resistance class 2

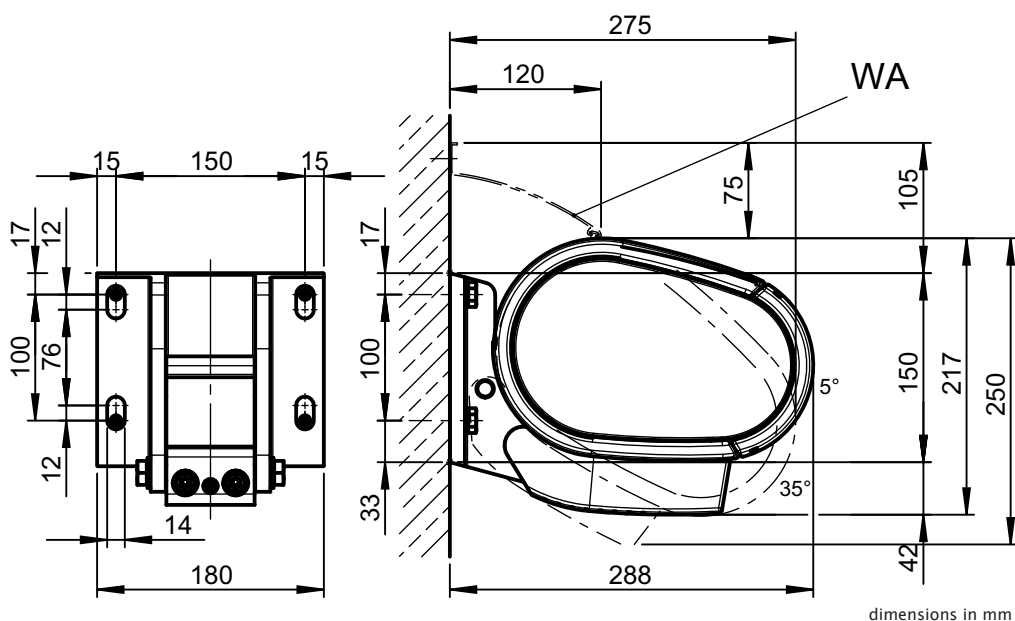
compression-proof substrate

non compression-proof substrate

H [cm]	M [cm]										M [cm]									
	250	300	350	400	450	500	550	600	650	700	250	300	350	400	450	500	550	600	650	700
150	462	531	601	671	740	810	879	949	1018	887	568	654	739	825	910	996	1081	1167	1253	1091
200	---	857	965	1074	1183	1291	1400	1508	1617	1462	---	1054	1187	1321	1454	1588	1722	1855	1989	1798
250	---	---	1385	1541	1696	1852	2007	2162	2597	2402	---	---	1704	1895	2086	2277	2469	2660	3194	2955
300	---	---	---	2056	2266	2476	3025	3267	3509	3286	---	---	---	2529	2787	3046	3720	4018	4316	4041
350	---	---	---	---	3022	3711	4028	4344	4167	4463	---	---	---	---	3717	4565	4954	5343	5125	5490
400	---	---	---	---	---	4649	5049	---	---	5537	---	---	---	---	---	5719	6211	---	---	6810
HT BHT	2   180 mm			3   180 mm				4   180 mm			2   180 mm			3   180 mm				4   180 mm		
BM	8			12				16			8			12				16		

The pull-out force refers to the vertical centre to centre measurement between the fixture points of 100 mm. If this measurement is reduced, the pull-out force increases by 11% in the case of **compression-proof** substrates and by 32% in the case of **non-compression-proof** substrates.

- M = overall awning width
- H = extension
- FB = pull-out force per fixing point
- HT | BHT = bracket quantity | width
- BM = no. of fixing points
- WA = wall sealing profile



dimensions in mm

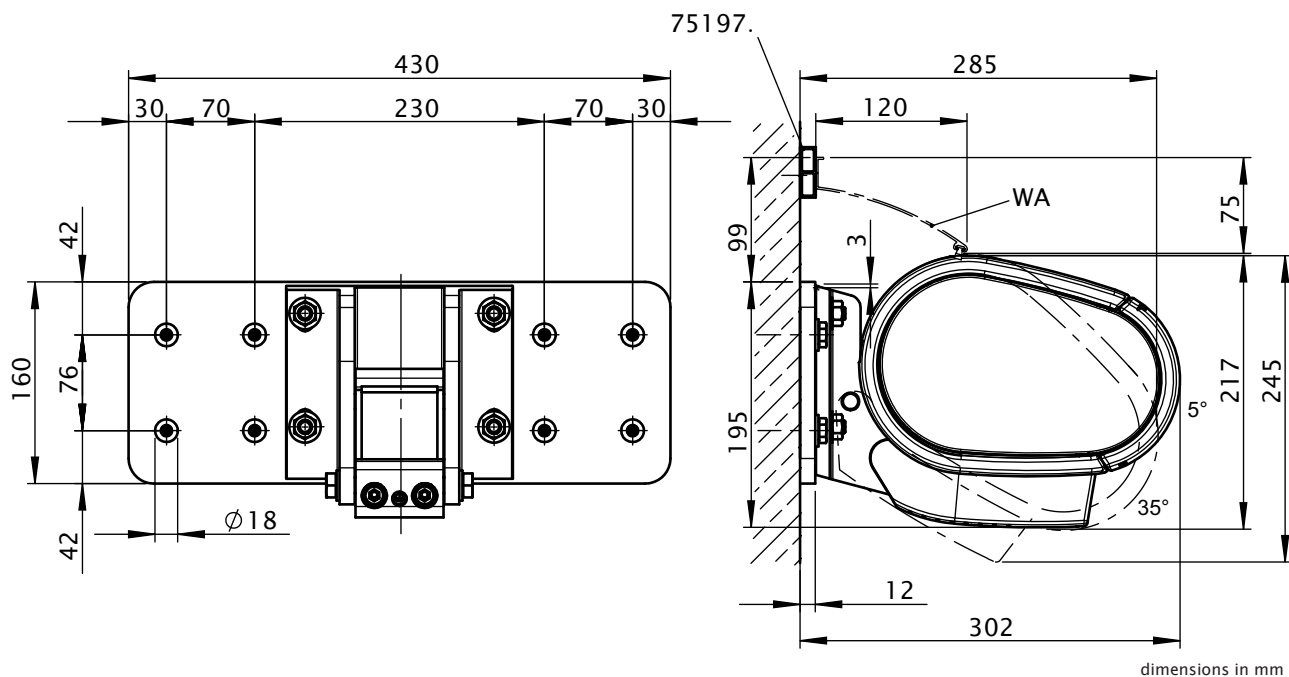
# Face fixture with spreader plate A

Pull-out force [N=Newton] per fixture point according to EN 13561, wind resistance class 2

H [cm]	compression-proof substrate										non compression-proof substrate									
	M [cm]										M [cm]									
	250	300	350	400	450	500	550	600	650	700	250	300	350	400	450	500	550	600	650	700
	FB [N]										FB [N]									
150	266	306	346	386	427	467	507	547	587	627	378	435	492	549	606	663	720	777	834	891
200	---	493	555	617	680	742	805	867	929	991	---	700	789	877	966	1055	1143	1232	1321	1410
250	---	---	795	884	973	1063	1152	1241	1330	1419	---	---	1130	1257	1383	1510	1637	1763	1889	2016
300	---	---	---	1179	1299	1420	1734	1873	2012	2151	---	---	---	1675	1846	2017	2464	2661	2858	3055
350	---	---	---	---	1731	2126	2307	2488	2669	2850	---	---	---	---	2460	3021	3279	3536	3793	4050
400	---	---	---	---	---	2662	2890	---	---	2983	---	---	---	---	---	3782	4108	---	---	4240
HT BHT	2   180 mm			3   180 mm				4   180 mm			2   180 mm			3   180 mm				4   180 mm		
BP	2			2				3			2			2				3		
DP	---			1				1			---			1				1		
BM	16			20				28			16			20				28		

The pull-out force refers to the vertical centre to centre measurement between the fixture points of 76 mm. In the case of spreader plates a washer conforming to DIN 9021 must be used.

- M = overall awning width
- H = extension
- FB = pull-out force per fixing point
- HT | BHT = bracket quantity | width
- BP = no. of spreader plates
- DP = no. of spacer plates
- BM = no. of fixing points
- WA = wall sealing profile
- 75197.: stand-off strip for wall sealing profile



dimensions in mm



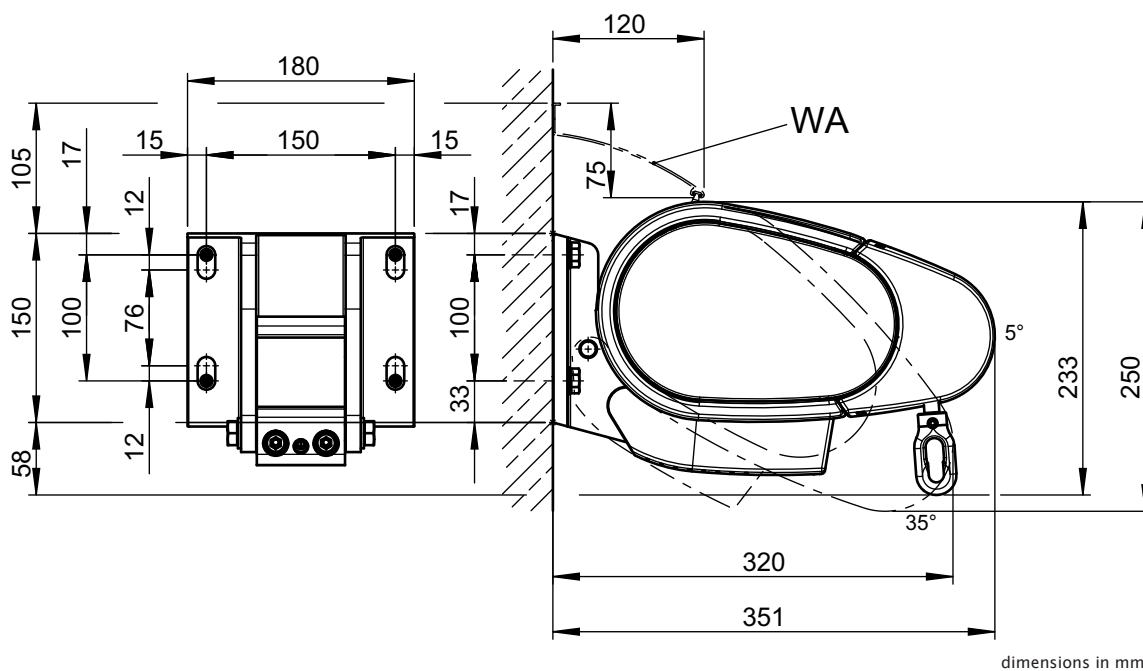
# Face fixture with shadeplus

Pull-out force [N=Newton] per fixture point according to EN 13561, wind resistance class 2

H [cm]	compression-proof substrate										non compression-proof substrate									
	M [cm]										M [cm]									
	250	300	350	400	450	500	550	600	650	700	250	300	350	400	450	500	550	600	650	700
	FB [N]										FB [N]									
150	695	808	921	1034	1147	1259	1372	1485	1598	1373	855	993	1132	1271	1410	1549	1688	1827	1966	1689
200	---	1225	1391	1558	1724	1890	2057	2223	2389	2130	---	1507	1711	1916	2121	2325	2530	2734	2939	2620
250	---	---	1944	2171	2399	2627	2854	3082	3589	3292	---	---	2391	2671	2951	3231	3511	3791	4414	4049
300	---	---	---	2812	3109	3406	4041	4370	4698	4368	---	---	---	3459	3824	4189	4970	5375	5779	5373
350	---	---	---	---	4005	4795	5213	5630	5357	5747	---	---	---	---	4926	5898	6412	6925	6589	7069
HT BHT	2   180 mm				3   180 mm				4   180 mm		2   180 mm				3   180 mm				4   180 mm	
BM	8				12				16		8				12				16	

The pull-out force refers to the vertical centre to centre measurement between the fixture points of 100 mm. If this measurement is reduced, the pull-out force increases by 11% in the case of **compression-proof** substrates and by 32% in the case of **non-compression-proof** substrates.

- M = overall awning width
- H = extension
- FB = pull-out force per fixing point
- HT | BHT = bracket quantity | width
- BM = no. of fixing points
- WA = wall sealing profile



dimensions in mm

# markilux 6000

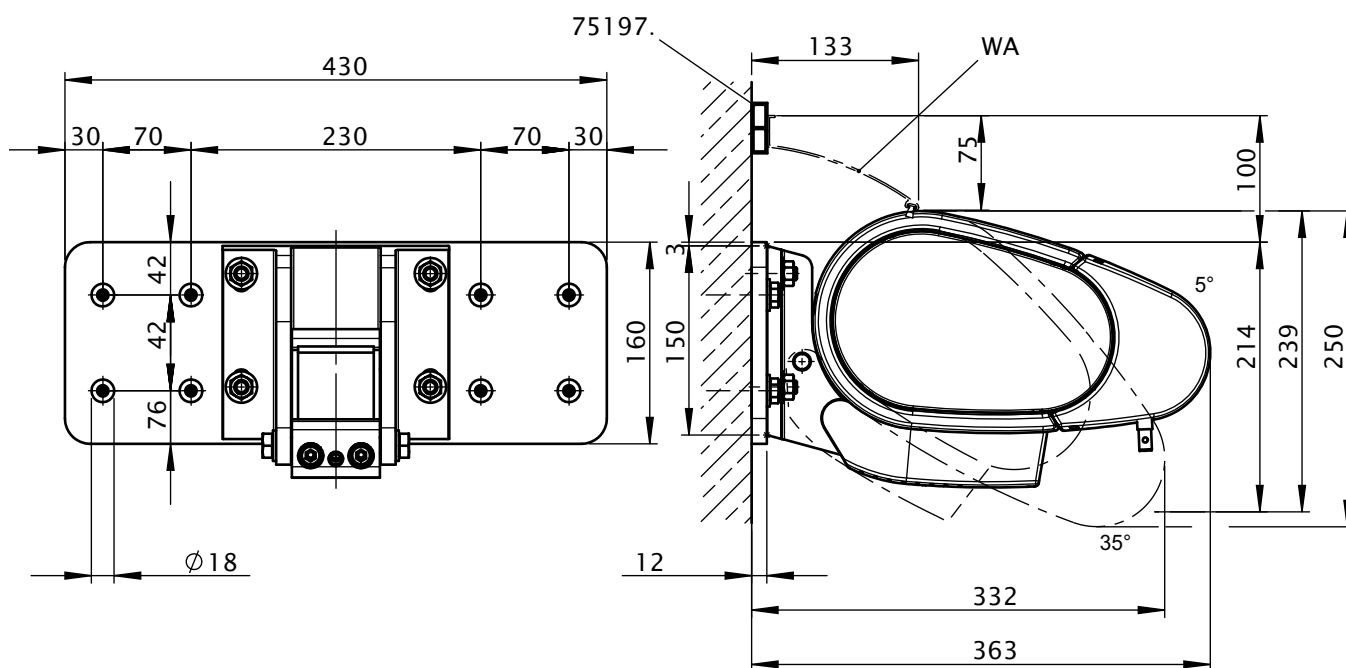
## Face fixture with shadeplus and spreader plate A

Pull-out force [N=Newton] per fixture point according to EN 13561, wind resistance class 2

H [cm]	compression-proof substrate										non compression-proof substrate									
	M [cm]										FB [N]									
	250	300	350	400	450	500	550	600	650	700	250	300	350	400	450	500	550	600	650	700
150	400	465	530	595	660	725	790	855	920	758	568	661	753	845	938	1030	1122	1215	1307	1077
200	---	704	799	895	990	1086	1181	1277	1372	1165	---	1000	1135	1271	1407	1543	1678	1814	1950	1656
250	---	---	1115	1245	1376	1506	1637	1767	2058	1796	---	---	1584	1769	1955	2140	2326	2511	2925	2553
300	---	---	---	1611	1781	1951	2315	2503	2692	2385	---	---	---	2289	2531	2773	3290	3558	3825	3389
350	---	---	---	---	2293	2746	2984	3223	2894	3116	---	---	---	---	3258	3902	4241	4581	4113	4429
HT BHT	2   180 mm			3   180 mm				4   180 mm			2   180 mm			3   180 mm				4   180 mm		
BP	2			2				3			2			2				3		
DP	---			1				1			---			1				1		
BM	16			20				28			16			20				28		

The pull-out force refers to the vertical centre to centre measurement between the fixture points of 76 mm. In the case of spreader plates a washer conforming to DIN 9021 must be used.

- M = overall awning width
- H = extension
- FB = pull-out force per fixing point
- BP = no. of spreader plates
- DP = no. of spacer plates
- BM = no. of fixing points
- HT | BHT = bracket quantity | width
- WA = wall sealing profile



dimensions in mm

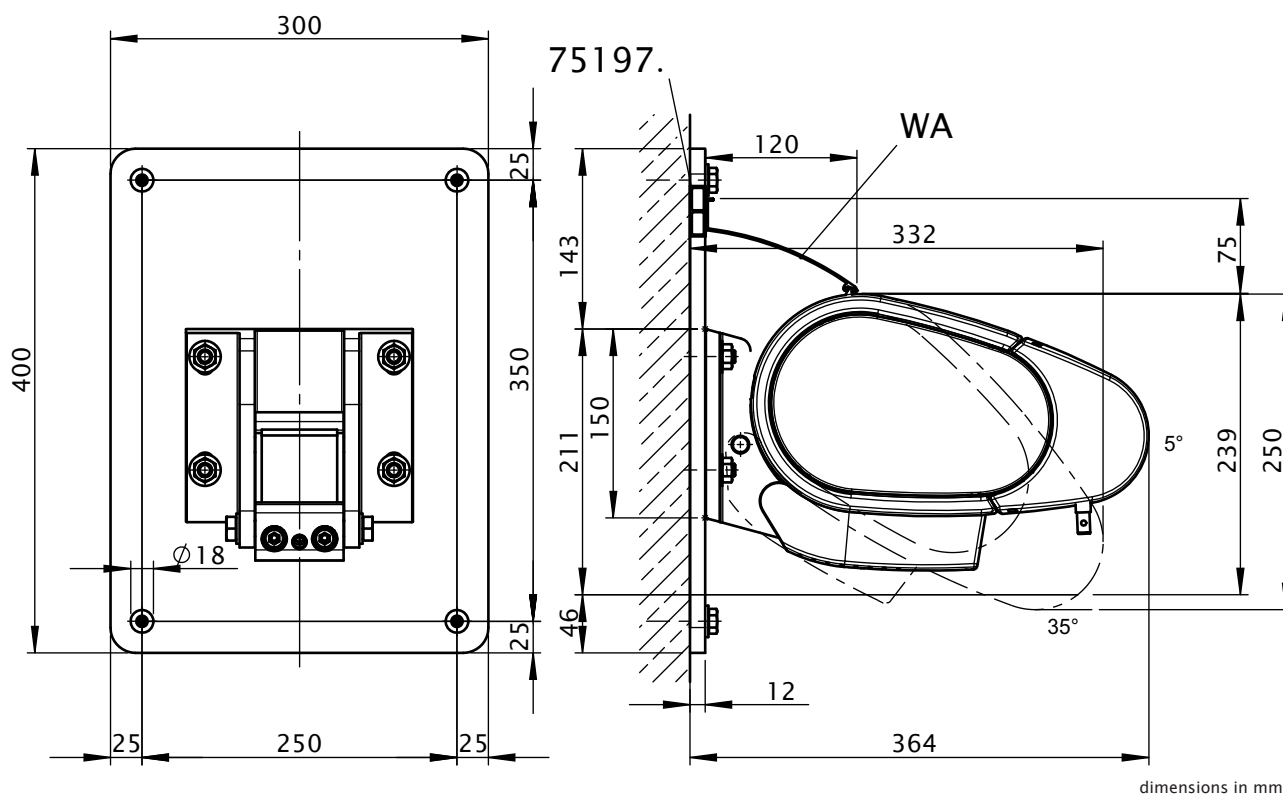
# Face fixture with shadeplus and spreader plate B

Pull-out force [N=Newton] per fixture point according to EN 13561, wind resistance class 2

H [cm]	compression-proof substrate										non compression-proof substrate									
	M [cm]										M [cm]									
	250	300	350	400	450	500	550	600	650	700	250	300	350	400	450	500	550	600	650	700
	FB [N]										FB [N]									
150	237	275	314	352	390	429	467	506	544	449	247	287	327	367	407	447	487	527	568	468
200	---	416	473	529	586	642	699	755	812	690	---	434	493	552	611	670	729	788	847	719
250	---	---	660	737	814	891	969	1046	1218	1063	---	---	688	768	849	930	1010	1091	1270	1109
300	---	---	---	953	1054	1155	1370	1482	1593	1411	---	---	---	994	1099	1204	1429	1545	1661	1472
350	---	---	---	---	1357	1625	1766	1908	1713	1844	---	---	---	---	1415	1694	1842	1989	1786	1923
HT BHT	2   180mm			3   180mm				4   180mm			2   180mm			3   180mm				4   180mm		
BP	2			2				3			2			2				3		
DP	---			1				1			---			1				1		
BM	8			12				16			8			12				16		

The pull-out force refers to the vertical centre to centre measurement between the fixture points of 350 mm. In the case of spreader plates a washer conforming to DIN 9021 must be used.

- M = overall awning width
- H = extension
- FB = pull-out force per fixing point
- HT = bracket
- BP = no. of spreader plates
- DP = no. of spacer plates
- BM = no. of fixing points
- WA = wall sealing profile
- 75197.: stand-off strip for wall sealing profile



dimensions in mm

# markilux 6000

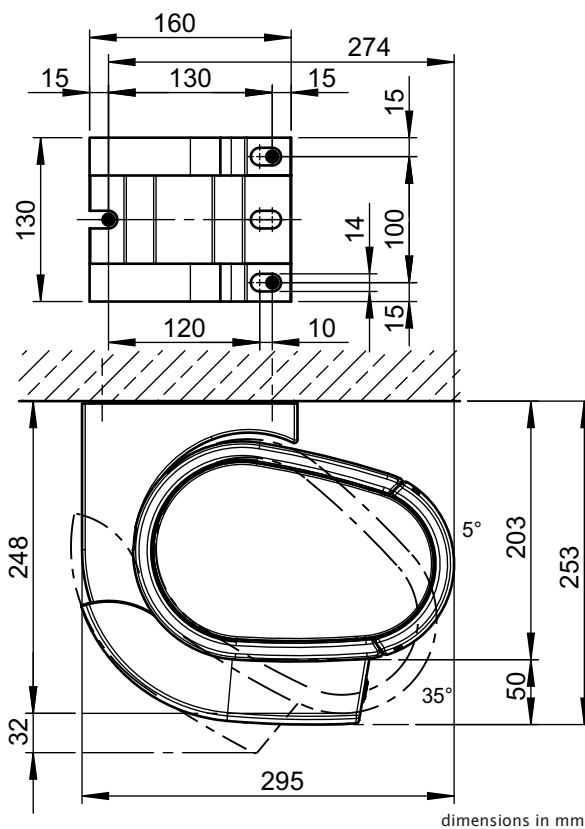
## Top fixture

Pull-out force [N=Newton] per fixture point according to EN 13561, wind resistance class 2

		compression-proof substrate										non compression-proof substrate									
		M [cm]										M [cm]									
		250	300	350	400	450	500	550	600	650	700	250	300	350	400	450	500	550	600	650	700
H [cm]		FB [N]										FB [N]									
150		483	559	635	711	787	863	939	1014	1090	983	499	578	656	734	813	891	969	1048	1126	1015
200		---	856	967	1079	1190	1301	1413	1524	1635	1507	---	886	1001	1116	1231	1347	1462	1577	1692	1558
250		---	---	1350	1504	1658	1812	1966	2120	2528	2364	---	---	1398	1558	1717	1877	2036	2196	2619	2448
300		---	---	---	1973	2177	2381	2893	3126	3359	3169	---	---	---	2045	2257	2468	2999	3241	3482	3284
350		---	---	---	---	2866	3507	3807	4108	3959	4241	---	---	---	---	2972	3637	3948	4260	4105	4398
400		---	---	---	---	---	4361	4738	---	---	5220	---	---	---	---	---	4524	4915	---	---	5414
HT BHT		2   130 mm			3   130 mm			4   130 mm				2   130 mm			3   130 mm			4   130 mm			
BM		6			9			12				6			9			12			

The pull-out force refers to the vertical centre to centre measurement between the fixture points of 130 mm. If this measurement is reduced, the pull-out force increases by 7% in the case of both **compression-proof** and **non-compression-proof** substrates.

M = overall awning width  
 H = extension  
 FB = pull-out force per fixing point  
 HT | BHT = bracket quantity | width  
 BM = no. of fixing points



# Top fixture with shadeplus

Pull-out force [N=Newton] per fixture point according to EN 13561, wind resistance class 2

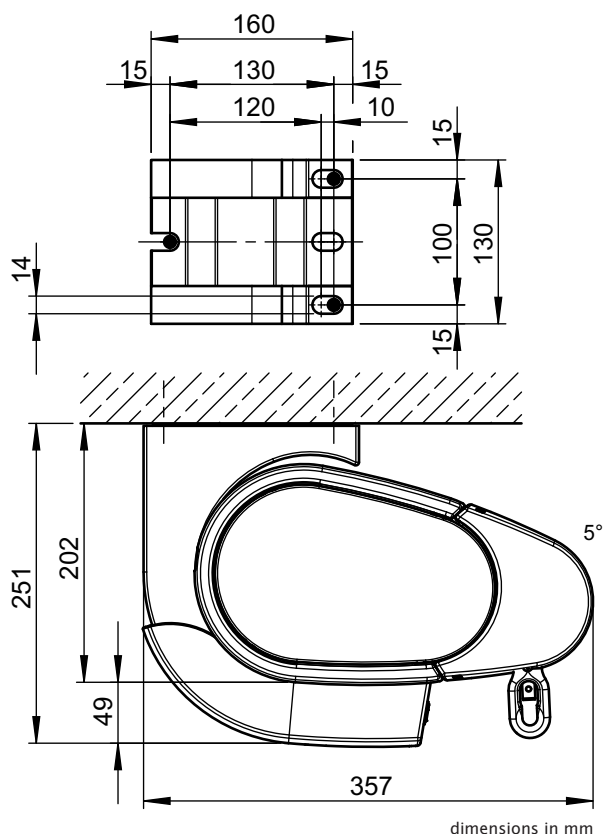
compression-proof substrate

non compression-proof substrate

H [cm]	M [cm]										M [cm]													
	250	300	350	400	450	500	550	600	650	700	250	300	350	400	450	500	550	600	650	700				
150	696	811	926	1042	1157	1272	1388	1491	1594	1389	720	839	959	1078	1197	1317	1436	1543	1650	1437				
200	---	1191	1355	1519	1683	1847	2011	2163	2315	2078	---	1234	1404	1574	1744	1914	2083	2241	2398	2153				
250	---	---	1858	2078	2298	2518	2738	2945	3407	3137	---	---	1926	2154	2382	2610	2838	3053	3533	3252				
300	---	---	---	2662	2945	3228	3819	4119	4418	4117	---	---	---	2761	3054	3347	3961	4272	4583	4270				
350	---	---	---	---	3761	4494	4887	5267	5018	5374	---	---	---	---	3901	4662	5070	5464	5206	5575				
HT BHT	2   130 mm				3   130 mm				4   130 mm				2   130 mm				3   130 mm				4   130 mm			
BM	6				9				12				6				9				12			

The pull-out force refers to the vertical centre to centre measurement between the fixture points of 130 mm. If this measurement is reduced, the pull-out force increases by 7% in the case of both **compression-proof** and **non-compression-proof** substrates.

M = overall awning width  
 H = extension  
 FB = pull-out force per fixing point  
 HT | BHT = bracket quantity | width  
 BM = no. of fixing points



dimensions in mm

# markilux 6000

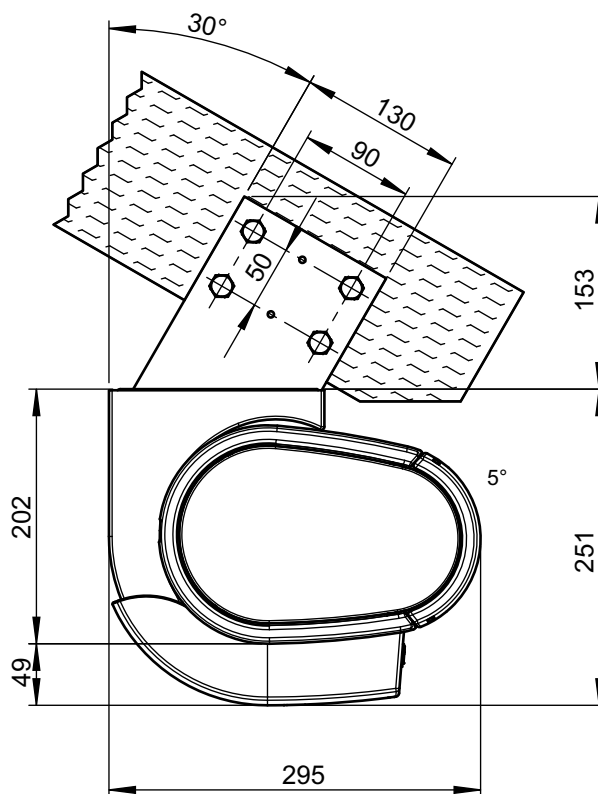
## Eaves/Roof timber fixture

Pull-out force [N=Newton] for the fixture bracket next to the arm according to EN 13561, wind resistance class 2

H [cm]	Torque										shear force									
	M [cm]										M [cm]									
	250	300	350	400	450	500	550	600	650	700	250	300	350	400	450	500	550	600	650	700
	Md [Nm]										FS [N]									
150	114	131	148	165	182	199	216	233	251	218	1387	1603	1818	2033	2248	2463	2678	2893	3109	2775
200	---	211	237	264	291	318	344	371	398	360	---	2492	2814	3136	3457	3779	4101	4422	4744	4346
250	---	---	341	379	417	455	494	532	639	591	---	---	3962	4412	4861	5311	5761	6210	7423	6916
300	---	---	---	506	557	609	744	804	863	808	---	---	---	5820	6419	7019	8542	9229	9915	9331
350	---	---	---	---	743	913	991	1069	1025	1098	---	---	---	---	8485	10395	11284	12173	11714	12549
400	---	---	---	---	---	1144	1242	---	---	1362	---	---	---	---	---	12959	14077	---	---	15484
HT	2			3				4			2			3				4		
BM	8			12				16			8			12				16		

The shear force are calculated from 2 fixture points per bracket, because depending on the roof pitch it cannot be guaranteed that 4 fixture points per bracket can be used.

- M = overall awning width
- H = extension
- Md = torque value for the bracket next to the arm
- FS = shear force
- HT = bracket
- BM = no. of fixing points



dimensions in mm

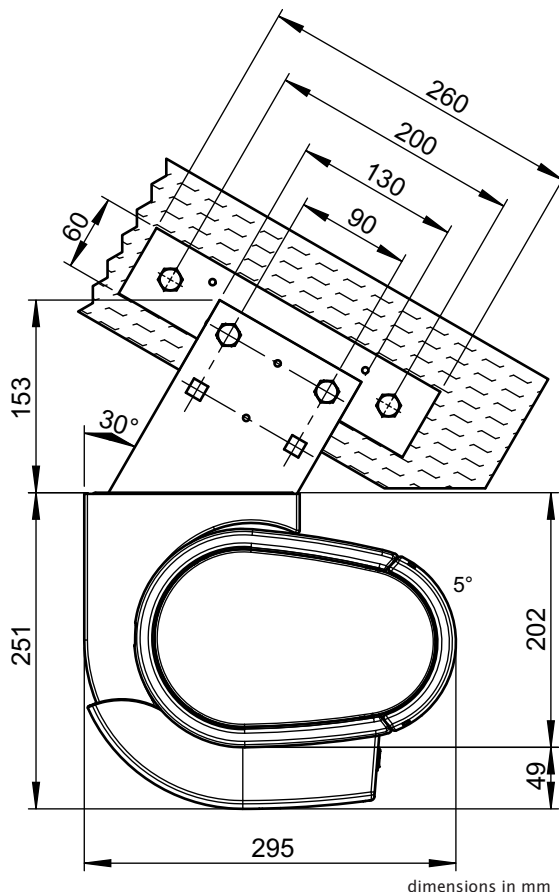
# Eaves fixture with additional plate

Pull-out force [N=Newton] for the fixture bracket next to the arm according to EN 13561, wind resistance class 2

H [cm]	Torque										shear force									
	M [cm]										M [cm]									
	250	300	350	400	450	500	550	600	650	700	250	300	350	400	450	500	550	600	650	700
	Md [Nm]										FS [N]									
150	114	131	148	165	182	199	216	233	251	218	693	804	914	1025	1135	1246	1356	1467	1578	1441
200	---	211	237	264	291	318	344	371	398	360	---	1204	1362	1521	1679	1838	1997	2155	2314	2148
250	---	---	341	379	417	455	494	532	639	591	---	---	1879	2095	2311	2527	2744	2960	3519	3305
300	---	---	---	506	557	609	744	804	863	808	---	---	---	2729	3012	3296	3995	4318	4641	4391
350	---	---	---	---	743	913	991	1069	1025	1098	---	---	---	---	3942	4815	5229	5643	5450	5840
400	---	---	---	---	---	1144	1242	---	---	1362	---	---	---	---	---	5969	6486	---	---	7160
HT	2			3				4			2			3				4		
BM	4			6				8			4			6				8		

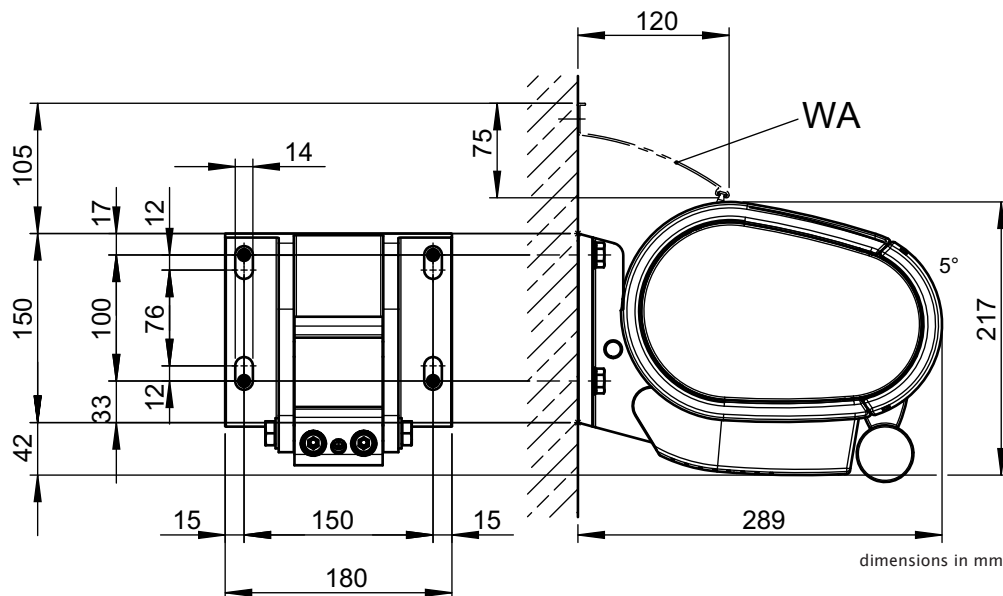
By using the additional flat plate, the shear force is reduced in comparison with conventional eaves fixture.

- M = overall awning width
- H = extension
- Md = torque value for the bracket next to the arm
- FS = shear force
- HT = bracket
- BM = no. of fixing points



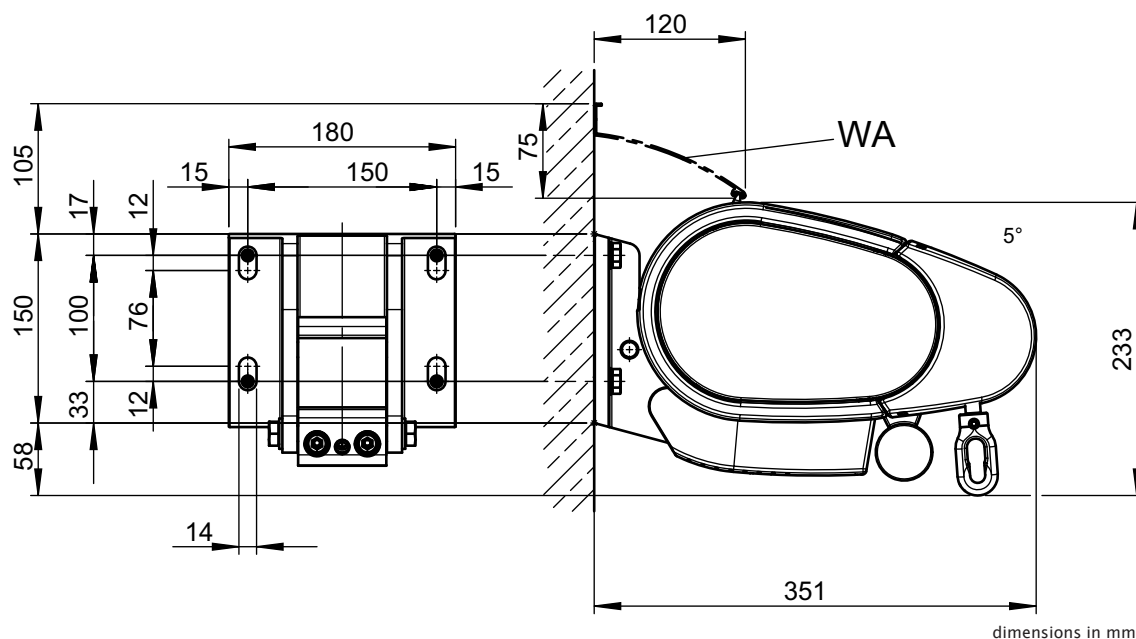
**markilux 6000**

**Face fixture with fluorescent lighting**



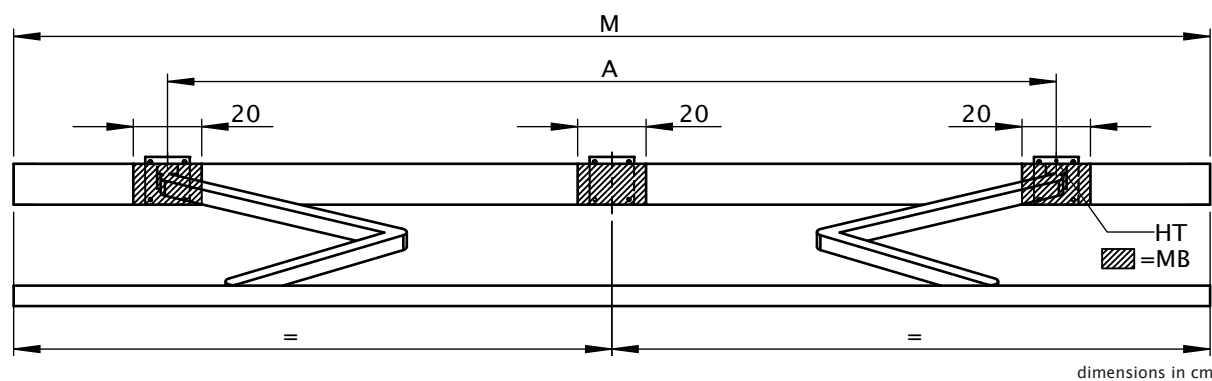
WA = wall sealing profile

**Face fixture with shadeplus and fluorescent lighting**



WA = wall sealing profile

## Bracket range for awnings with 2 folding arms



M [cm]	SB ZB	250 208-250	300 251-300	350 301-350	400 351-400	450 401-450	500 451-500	550 501-550	600 551-600	650 601-650
		A [cm]								
H [cm]	150	187 ▲	210 ■	260	300	340	380	440	490	510
	200	---	237 ▲	260 ■	300	340	380	440	490	510
	250	---	---	287 ▲	300 ■	340	390	440	490	510
	300	---	---	---	337 ▲	340 ■	390	440	490	510
	350	---	---	---	---	387 ▲	390 ■	440	490	---
	400	---	---	---	---	---	437 ▲	440 ■	---	---
W	HT   BHT	180 mm	2			3				
DE/DA	HT   BHT	130 mm	2			3				

dimensions in cm

▲ = Please note the minimum widths, dimension A is only valid for standard arms! (dimension A is 13 cm smaller in the case of bespoke arms.) In the case of narrow awning widths the brackets can only be fitted inside the arms, i.e. within dimension A. A junction roller cannot be fitted to a Coupled unit.

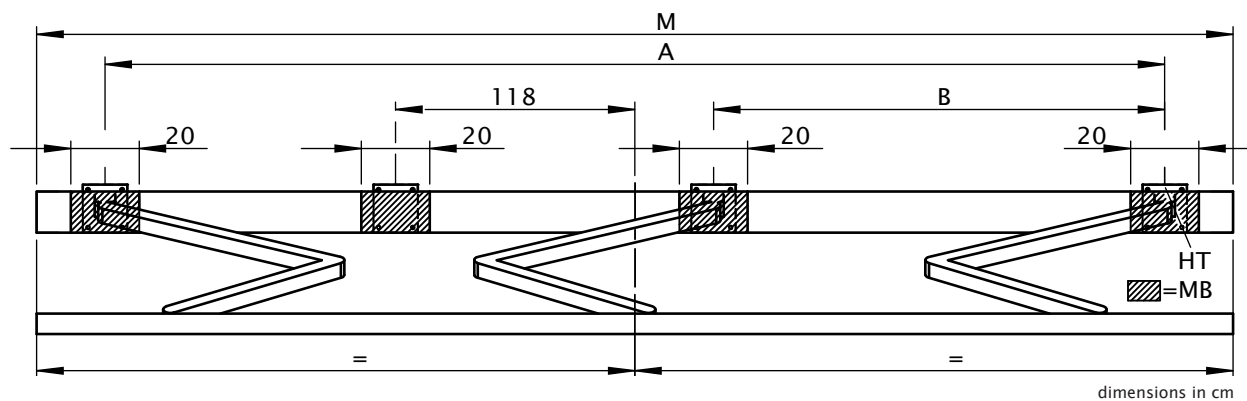
■ = coupled units are only available with junction roller in the standard widths, in other widths on request

M = overall awning width  
 A = arm position  
 HT = bracket  
 MB = range for bracket fixture  
 H = extension  
 HT | BHT = bracket quantity | width  
 W = face fixture  
 DE/DA = top fixture and eaves fixture  
 SB = standard width  
 ZB = intermediate width

If the brackets cannot be positioned in accordance with this table, make sure the actual measurements are noted on the order form!

## markilux 6000

## Bracket range for awnings with 3 folding arms



M [cm]	SB ZB	655		700 651-700		KM [cm]
		A [cm]	B [cm]	A [cm]	B [cm]	
H [cm]	150	---	---	600	265	455
	200	---	---	600	240	505
	250	---	---	600	230	555
	300	---	---	610	230	605
	350	620 •	230 •	620 ▲	230 ▲	655
400	---	---	670 •	230 •	700	
W	HT   BHT	180 mm	4			
DE/DA	HT   BHT	130 mm	4			

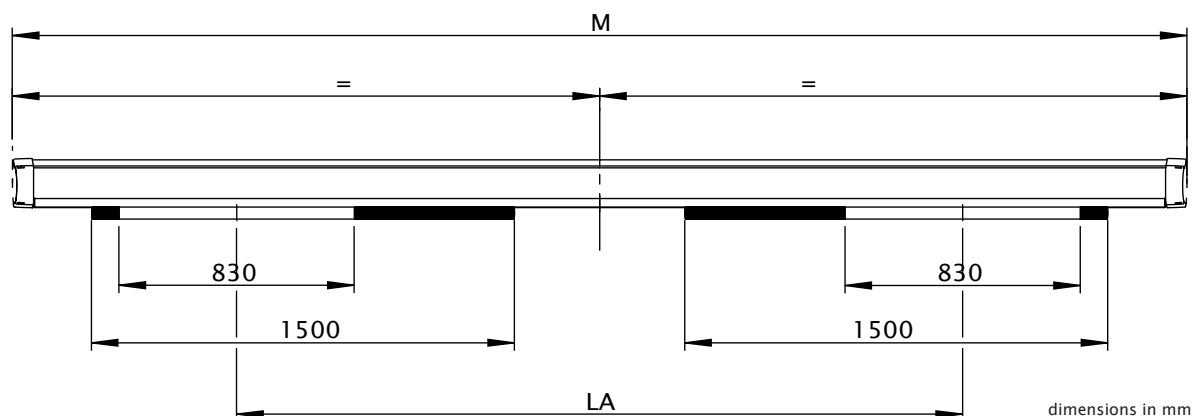
dimensions in cm

- ▲ = Please note the minimum widths, only possible with a junction roller at a width of 700 cm.
- = Please note the minimum widths, coupled units are not possible.

M = overall awning width  
 A = arm position  
 B = arm position  
 HT = bracket  
 MB = range for bracket fixture  
 H = extension  
 HT | BHT = bracket quantity | width  
 W = face fixture  
 DE/DA = top fixture and eaves fixture  
 SB = standard width  
 ZB = intermediate width

If the brackets cannot be positioned in accordance with this table, make sure the actual measurements are noted on the order form!

## Fluorescent lighting



M = overall awning width  
LA = light separation

M [cm]	LA [cm]
320 - 350	200
351 - 400	220
401 - 450	250
451 - 500	280
501 - 550	300
551 - 600	310
601 - 650	320
651 - 700	330

### Controls for fluorescent lighting

on/off switch	●
flush-fitted dimmer (not for remote control operation)	○
on/off radio-controlled operation	○

● = fitted as standard  
○ = optional accessory

Power supply: 230 V, 50 Hz (10/16 A)

Power output (light source): 39 W

Light source: OSRAM FQ 39 W/827

Power supply cables: with dimmer 5 x 1 mm<sup>2</sup>  
on/off switch 3 x 1 mm<sup>2</sup>

Protection factor: IP54

**markilux 6000****Spot lighting****possible number of spotlights**

widths in cm	150	200	250	300	350
238 - 250	2				
251 - 277					
278 - 287	3				
288 - 300	3	2			
301 - 317					
318 - 337	3	3			
338 - 387	3	3	2		
388 - 400	3	3	2	2	
401 - 437	3	3	3	2	
438 - 450	3	3	3	2	2
451 - 457	6	6			
458 - 500	6	6	6	6	4
501 - 507					
508 - 550	6	6	6	6	6
551 - 557					
558 - 600	6	6	6	6	6
601 - 650	6	6	6	6	
651 - 657	6*	6*	6*		
658 - 687	6*	6*	6*	6*	
688 - 700	6*	6*	6*	6*	6*

6\* = spotlight distribution in the case of 3 folding arms

In the table on the left you can see the number of spotlights that can be supplied in a given awning size. Due to the fact that the folding arms retract into the front profile this type of lighting is not available in some awning sizes.

Controls for spotlighting	
on/off switch	•
Radio-controlled dimmer	○

• = fitted as standard  
○ = optional accessory

**spotlight distribution 2 folding arms**

number of spotlights	markilux spotlight distribution in the front profile
2	
3	
4	
6	

**spotlight distribution 3 folding arms**

6	
---	--

Transformer power supply:	230 V, 50-60 Hz (0.3 A)
Spotlight power output:	20 W
Light source:	OSRAM Decostar 35S (12 V)
Power supply cabling to the junction box:	3 x 1 mm <sup>2</sup>
No. of transformers:	in the case of 2-3 spotlights - 1 transformer in the case of 4 or 6 spotlights - 2 transformers