

safe · timeless · beautiful



## *markilux 1600 stretch*

The perfect solution for narrow patios, niches and balconies.



## markilux 1600 stretch

The perfect solution for narrow patios, niches and balconies.

- design features**
- Shaped by well-known designers, given the IF Design Award for excellent design.
  - A semi-cassette folding-arm awning. The dynamically rounded coverboard gives the awning the appearance of being fully cassetted.
  - The possibility of mixing and matching the colour of the cassette with that of the end caps gives you the option of making your markilux awning your very own.
  - Elegant and robust front profile with valance slot made of aluminium.
  - for long-lasting attractiveness the awning has been powder coated.

- technical highlights**
- Sturdy, round steel torque bar, 50 mm Ø, to prevent twist and deflection.
  - The 85 mm roller tube ensures the highest rigidity and the best possible cover winding characteristics even at the largest widths.
  - Coverboard with integrated brush so that larger pieces of debris cannot be drawn into the awning.
  - Folding arms with perfected power transference by means of double, rounded steel-link chains and direct coupling of the springs. The highest safety standards even at large extensions
  - Folding arms with drop-forged aluminium moving components and Teflon-coated bronze bushes, which provide superior stability and longevity.

- optional accessories**
- In the case of manual operation ease of use is ensured with the spring-assisted gearbox.
  - Hard-wired motor drive (optionally with automatic controls) for simple, relaxed operation.
  - Radio-controlled motor with handheld transmitter for ease of operation - and ergonomically crafted for ease of use.
  - The shadeplus creates an additional room on the patio. Protection from sun, wind and inquisitive glances in one.
  - Awning available in non-standard RAL colours

· Beautifully crafted brackets; Design down to the last detail · Awning covers made from acrylic fabric or sunsilk snc with self-cleaning effect · The panel joints of the awning cover are ultrasonically bonded to give a better appearance without bothersome stitching · Manual operation includes a markilux stainless steel winding handle - quality to get to grips with · The greater upper to lower arm length ratio gives high lateral stability of the awning · Fixture brackets are made of extruded aluminium · Simple pitch adjustment via the bracket without necessitating readjustment of the front profile · The specialised arm technology - tiered arms - enables the manufacture of large extensions in very narrow awnings · An easily installed sun and wind sensor provides intelligent control options and necessary protection · A wall sealing profile will optionally cover the gap between wall and awning · A valance is available

# Folding-arm awning markilux 1600 stretch



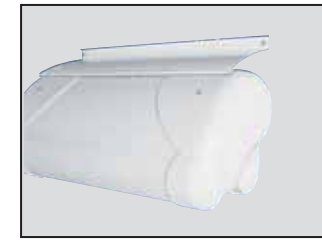
arms cross above one another during extension and retraction



simple pitch adjustment



tiered folding arm fitted to the robustly mounted second torque bar



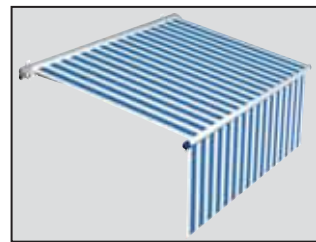
wall sealing profile (optional)



side view with awning closed, face fixture



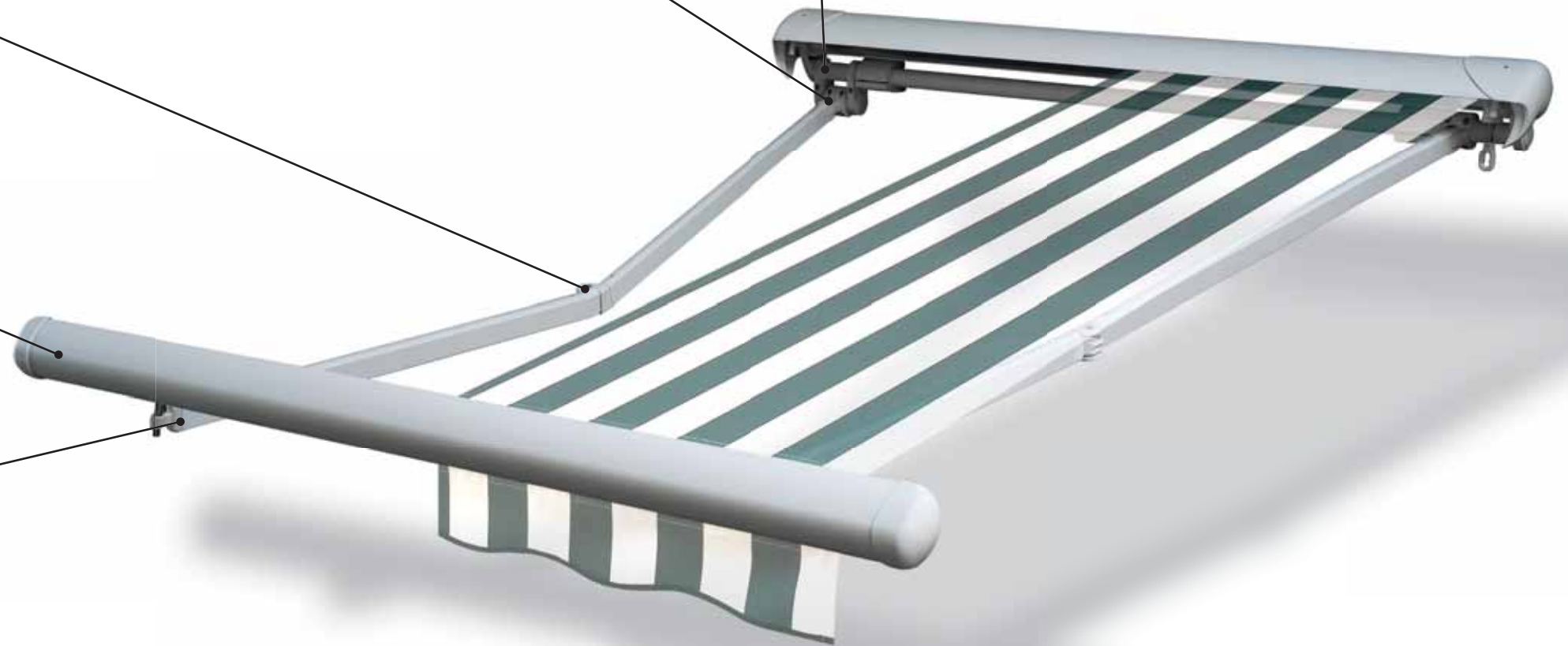
corrosion-resistant and technically proven; twin steel-link chains at the elbow joints



Shadeplus (optional)



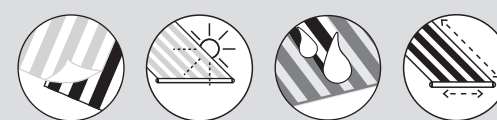
arm fixture to the front profile



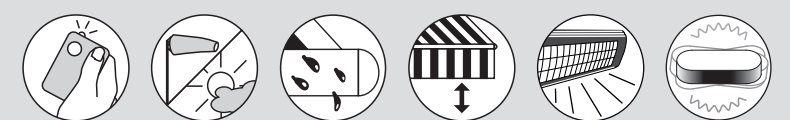
Standard RAL colours:



standard:



optional accessories:



safe · timeless · beautiful



**markilux 1600 stretch**

**Choice of colours**

frame colours	End caps
traffic white RAL 9016	traffic white RAL 9016
metallic aluminium RAL 9006	metallic aluminium RAL 9006
light ivory RAL 1015	light ivory RAL 1015
grey brown RAL 8019	grey brown RAL 8019
	yellow
	ruby red
	blue
	black



End caps  
Colour combination 1

End caps  
Colour combination 9

End caps  
Colour combination 3

End caps  
Colour combination 3



End caps  
Colour combination 10

**markilux 1600 stretch Lounge**

frame colours	End caps
Nano off-white textured finish 5233	Nano off-white textured finish 5233
Nano stone grey metallic 5215	Nano stone grey metallic 5215
Nano anthracite metallic 5204	Nano anthracite metallic 5204
	Polished chrome



**markilux 1600 stretch**

The perfect solution for narrow patios, niches and balconies.



## dimensions and configuration options

extension	Overall blind width								minimum width motor <sup>10)</sup>		minimum width manual operation <sup>10)</sup>	
	160 122-160	185 161-185	210 186-210	235 211-235	260 236-260	310 261-310	360 311-360	410 361-410	Standard	Bespoke arms	Standard	Bespoke arms
150	28)		13)						135	122	139	126
200	28)			13)	13)				160	147	164	151
250		28)				13)			185	172	189	176
300			28)				13)		210	197	214	201
350				28)				13)	235	222	239	226
400					28)				260	247	264	251

13) intermediate widths on request

10) the dimensions are only valid for fixture without spreader plates (2 folding arms).

28) Please note the minimum widths!

dimensions in cm

 = available, 2 folding arms

operation type	
manual operation with st. steel winding handle	●
Servo-assisted operation	○
radio-controlled motor	○
motor	○
Shadeplus	
manual operation	○
radio-controlled motor	-
motor	-
Lighting	
Halogen Spotlights	-
Fluorescent lighting	-
covers	
acrylic 34 (fabric series 341xx-347xx)	●
sunsilk SNC (fabric series 324xx/329xx)	●
signature (fabric series 369xx)	●
transilk FR (fabric series 319xx)	-
transolair (fabric series 339xx)	-
widely woven acrylic (fabric series 349xx)	○ <sup>1)</sup>
perla FR (fabric series 374xx/379xx)	○
Soltis 92	○ <sup>2)</sup>
PVC fabric	○ <sup>2)</sup>
miscellaneous	
Coverboard	-
Sytem coverboard	-
wall sealing profile	○ <sup>3)</sup>
Pitch adjustment gear	-
Insertable side blind	○
sun and wind sensor	○
Valance	● <sup>6)</sup>
Infrared heater	○
Vibrabox / Sunis sun sensor	○
Coupled units (please refer to fixture)	
coupled unit 2 fields	-
coupled unit 3 fields	-
junction roller	-
one-piece cover (on request)	-

● = fitted as standard  
○ = optional accessory

- = not available

○<sup>1)</sup> = PVC/Soltis 92 covers up to a max. extension of 250 cm.○<sup>3)</sup> = wall sealing profile effective up to an awning pitch of 20°

○ = widely woven fabric up to a max. extension of 300 cm.

●<sup>6)</sup> = valance shape 6 (please refer to the section "Fabric Collection")

**Definition of extension:** The extension is measured with the awning extended at a pitch of approx. 15° from the wall over the cover to the leading edge of the front profile. The extension tolerance is - 40mm / + 40mm

In the case of manual operation, assume approx. 16 winding handle revolutions per metre of awning extension.

Extension when using a motor takes approximately 12 seconds per metre.




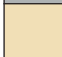




**Definition of shadeplus drop:** The shadeplus drop is measured from the bottom edge of the shadeplus profile to the bottom edge of the valance profile. Because of tolerances in fabric thicknesses the drop may be shorter by up to 5 cm.

A manual shadeplus is available in the standard drops of 150 cm and 210 cm (210 cm only in transilk (319xx), transolair (339xx), widely woven fabrics (349xx) seamless or Soltis 92. Shadeplus covers in Soltis 92 with a drop greater than 170 cm will be made with a horizontal seam).

A shadeplus is not possible with PVC covers.

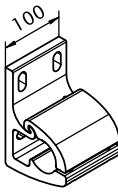
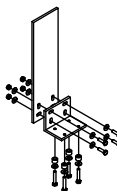
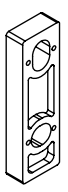
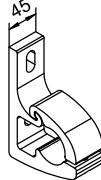
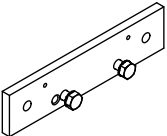
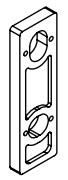
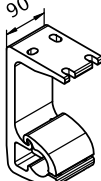
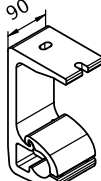
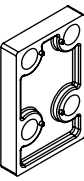
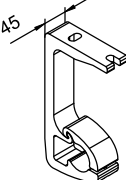
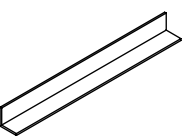

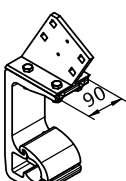
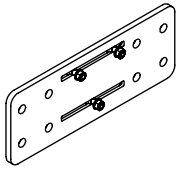
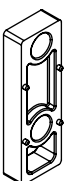
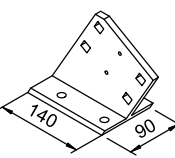
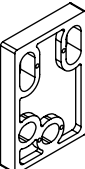

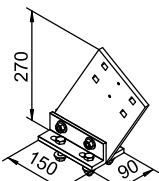
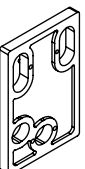
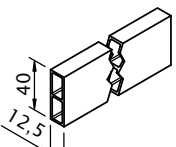
A shadeplus with motor is not possible.

Coupled folding-arm awnings are not available.

frame colours		
	RAL 9016 traffic white	●
	RAL 8019 grey brown	●
	RAL 9006 metallic aluminium	●
	RAL 1015 light ivory	●
	5204 Nano anthracite metallic 5204 (Lounge)	○
	5215 Nano stone grey metallic 5215 (Lounge)	○
	5233 Nano off-white textured finish (Lounge)	○
	non-standard RAL colour	○

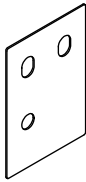
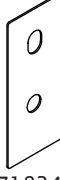
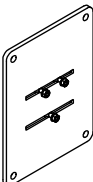
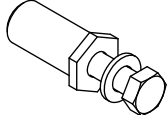
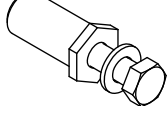
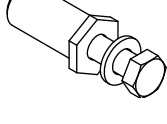
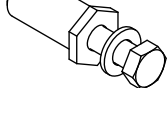
## markilux 1600 stretch

## fixings and accessories

 70867.	Face fixture bracket assembly 100mm	 716620	Angle and fixture plate for eaves fixture machine finish	 718251	Spacer plate for face fixture 45x150x20mm N.B! stack to a max. of 200 mm
 71813.	Face fixture bracket assembly 45mm	 75383.	Additional eaves fixture plate 60x260x12mm	 71826.	Spacer plate for face fixture 45x150x12mm
 70868.	Top fixture bracket assembly 90mm	 70869.	Top fixture bracket assembly assembly for central fixture	 716311	Spacer plate for top fixture 90x140x20mm N.B! stack to a max. of 200 mm
 71818.	Top fixture bracket assembly 45mm	 79380.	Angled profile for eaves fixtures 100x100mm available by the metre, undrilled	 716411	Spacer plate for top fixture 90x140x12mm
 70871.	Eaves fixture bracket assembly 90mm complete set	 75326.	Component assembly spreader plate A 160x430x12mm	 716261	Spacer plate for top fixture 45x140x20mm N.B! stack to a max. of 200 mm
 71612.	Eaves fixture bracket 140mm	 718231	Spacer plate for face fixture 100x150x20mm N.B! stack to a max. of 200 mm	 716371	Spacer plate for top fixture 45x140x12mm
 71659.	Eaves fixture bracket assembly 270mm	 718241	Spacer plate for face fixture 100x150x12mm	 751971	stand-off strip for wall sealing profile available by the metre Fixture example, see face fixture with wall sealing profile

. = Please insert the RAL No. (please refer to the section on "Coatings")

## fixings and accessories

 71833.	Cover plate for external insulation  140x200x2mm
 71834.	Cover plate for external insulation  85x200x2mm
 75325.	Component assembly spreader plate B  300x400x12mm
 753891	Reduction assembly M 16 - M 12 / SW 27  50mm length (please refer to "Technical Information")
 754901	Reduction assembly M 10 - M 10 / SW 27  50mm length (please refer to "Technical Information")
 754911	Reduction assembly M 12 - M 10 / SW 27  50mm length (please refer to "Technical Information")
 754921	reducing bolt assembly M 16 - M 10 / SW 27  50mm length (please refer to "Technical Information")

. = Please insert the RAL No.  
(please refer to the section on "Coatings")

## markilux 1600 stretch

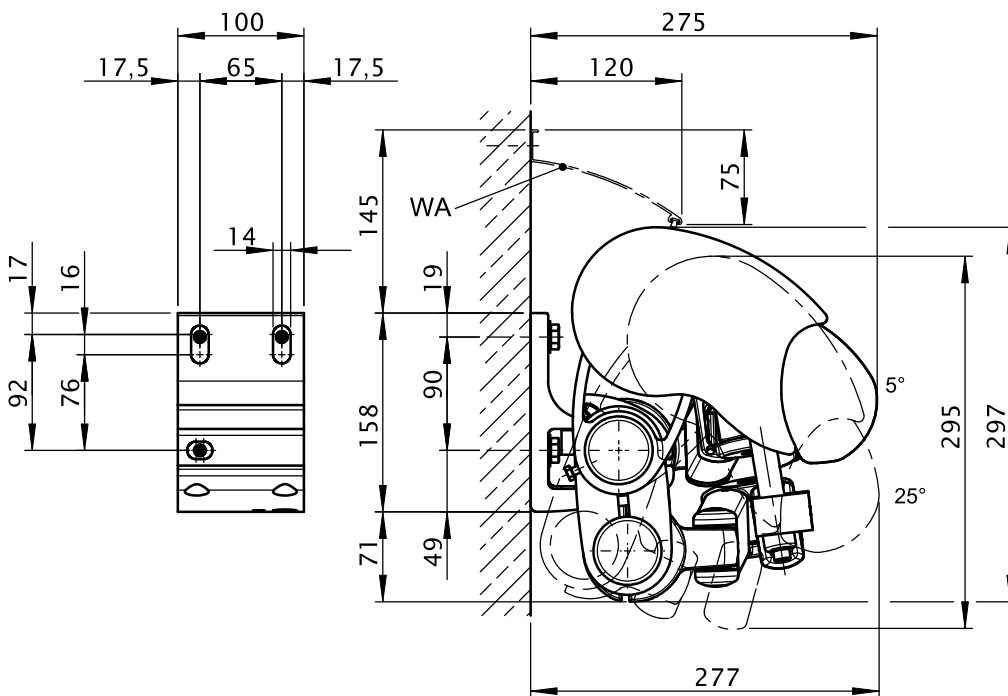
### Face fixture

Pull-out force [N=Newton] per fixture point according to EN 13561, wind resistance class 2

H [cm]	compression-proof substrate								non compression-proof substrate							
	M [cm]								M [cm]							
	160	185	210	235	260	310	360	410	160	185	210	235	260	310	360	410
FB [N]																
150	344	379	---	---	---	---	---	---	470	517	---	---	---	---	---	---
200	523	577	631	---	---	---	---	---	714	788	862	---	---	---	---	---
250	---	854	932	1009	1087	---	---	---	---	1167	1273	1379	1485	---	---	---
300	---	---	1239	1344	1449	1659	---	---	---	---	1693	1837	1980	2267	---	---
350	---	---	---	1724	1860	2133	2405	---	---	---	---	2356	2542	2915	3287	---
400	---	---	---	---	2586	2986	3386	3785	---	---	---	---	3534	4080	4627	5174
HT BHT	2   100 mm								2   100 mm							
BM	6								6							

The pull-out force refers to the vertical centre to centre measurement between the fixture points of 90 mm. If this measurement is reduced, the pull-out force increases by 14% in the case of **compression-proof** substrates and by 19% in the case of **non-compression-proof** substrates.

M = overall awning width  
 H = extension  
 FB = pull-out force per fixing point  
 HT | BHT = bracket quantity | width  
 BM = no. of fixing points  
 WA = wall sealing profile



dimensions in mm

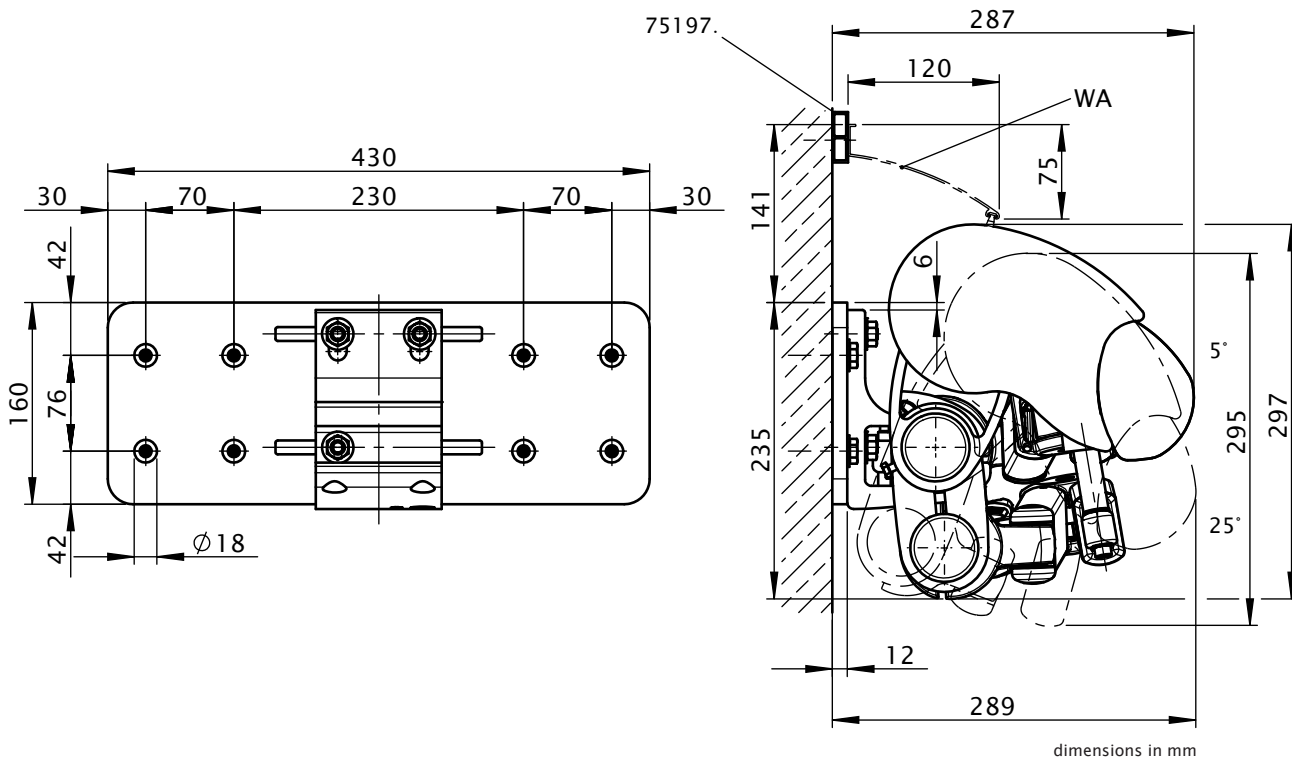
# Face fixture with spreader plate A

Pull-out force [N=Newton] per fixture point according to EN 13561, wind resistance class 2

H [cm]	compression-proof substrate								non compression-proof substrate							
	M [cm]								M [cm]							
	160	185	210	235	260	310	360	410	160	185	210	235	260	310	360	410
FB [N]																
150	198	218	---	---	---	---	---	---	282	310	---	---	---	---	---	---
200	300	332	363	---	---	---	---	---	427	471	516	---	---	---	---	---
250	---	490	535	579	624	---	---	---	---	697	760	823	887	---	---	---
300	---	---	710	771	831	951	---	---	---	---	1009	1095	1181	1352	---	---
350	---	---	---	987	1065	1222	1378	---	---	---	---	1403	1514	1736	1958	---
400	---	---	---	---	1480	1709	1938	2167	---	---	---	---	2104	2429	2754	3079
HT BHT	2   100 mm								2   100 mm							
BP	2								2							
BM	16								16							

The pull-out force refers to the vertical centre to centre measurement between the fixture points of 76 mm. In the case of spreader plates a washer conforming to DIN 9021 must be used.

- M = overall awning width
- H = extension
- FB = pull-out force per fixing point
- HT | BHT = bracket quantity | width
- BP = no. of spreader plates
- BM = no. of fixing points
- WA = wall sealing profile
- 75197.: stand-off strip for wall sealing profile



dimensions in mm

# markilux 1600 stretch

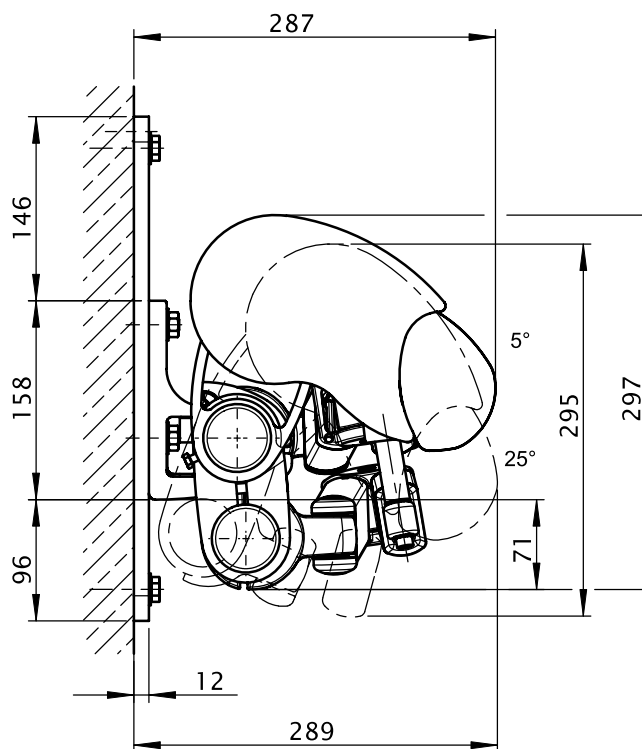
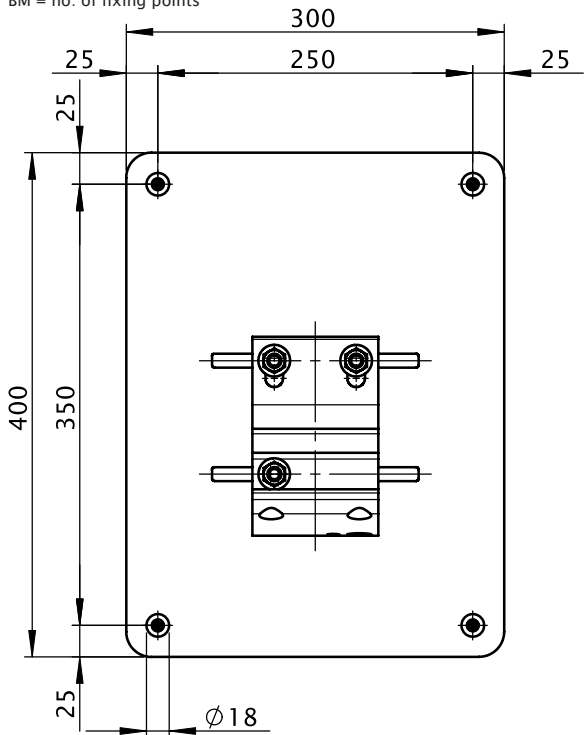
## Face fixture with spreader plate B

Pull-out force [N=Newton] per fixture point according to EN 13561, wind resistance class 2

H [cm]	compression-proof substrate								non compression-proof substrate							
	M [cm]								M [cm]							
	160	185	210	235	260	310	360	410	160	185	210	235	260	310	360	410
FB [N]																
150	117	129	---	---	---	---	---	---	122	135	---	---	---	---	---	---
200	178	196	215	---	---	---	---	---	185	205	224	---	---	---	---	---
250	---	290	316	343	369	---	---	---	---	303	330	358	385	---	---	---
300	---	---	420	456	492	563	634	---	---	---	438	476	513	587	---	---
350	---	---	---	584	631	723	815	---	---	---	---	609	658	754	850	---
400	---	---	---	---	876	1011	1147	1282	---	---	---	---	914	1055	1196	1337
HT BHT	2   100 mm								2   100 mm							
BP	2								2							
BM	8								8							

The pull-out force refers to the vertical centre to centre measurement between the fixture points of 350 mm. In the case of spreader plates a washer conforming to DIN 9021 must be used.

- M = overall awning width
- H = extension
- FB = pull-out force per fixing point
- HT | BHT = bracket quantity | width
- BP = no. of spreader plates
- BM = no. of fixing points



dimensions in mm

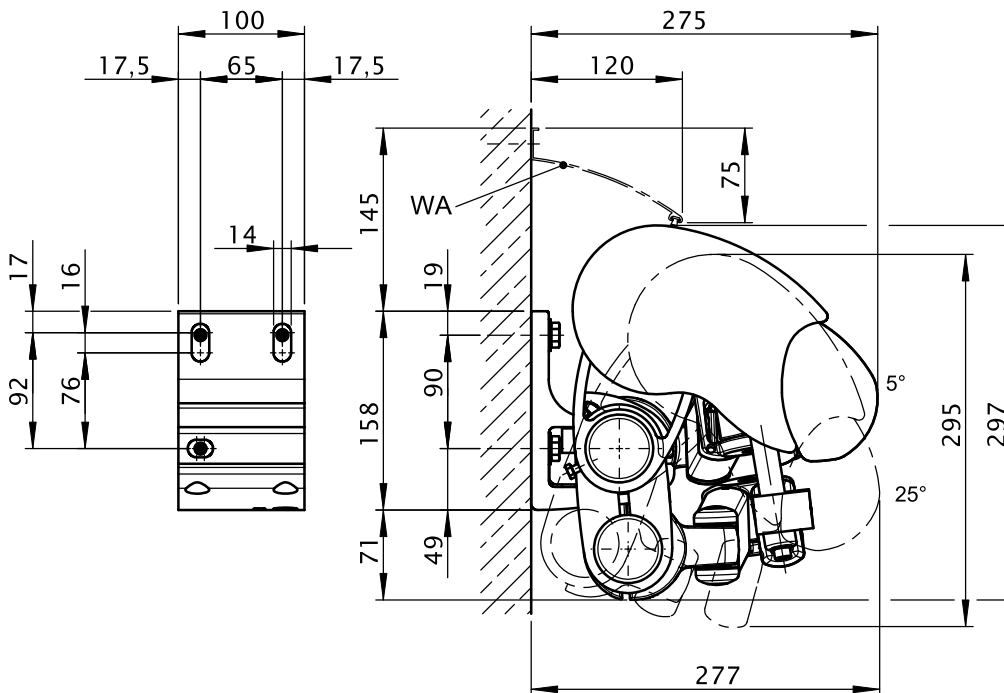
## Face fixture with shadeplus

Pull-out force [N=Newton] per fixture point according to EN 13561, wind resistance class 2

H [cm]	compression-proof substrate								non compression-proof substrate							
	M [cm]								M [cm]							
	160	185	210	235	260	310	360	410	160	185	210	235	260	310	360	410
FB [N]																
150	372	412	---	---	---	---	---	---	509	563	---	---	---	---	---	---
200	561	621	681	---	---	---	---	---	766	849	931	---	---	---	---	---
250	---	909	994	1080	1165	---	---	---	---	1243	1359	1475	1592	---	---	---
300	---	---	1314	1428	1542	1770	---	---	---	---	1796	1952	2108	2420	---	---
350	---	---	---	1822	1969	2262	2556	---	---	---	---	2490	2691	3092	3493	---
400	---	---	---	---	2710	3134	3558	3982	---	---	---	---	3704	4283	4862	5442
HT BHT	2   100 mm								2   100 mm							
BM	6								6							

The pull-out force refers to the vertical centre to centre measurement between the fixture points of 90 mm. If this measurement is reduced, the pull-out force increases by 14% in the case of **compression-proof** substrates and by 19% in the case of **non-compression-proof** substrates.

M = overall awning width  
H = extension  
FB = pull-out force per fixing point  
HT | BHT = bracket quantity | width  
BM = no. of fixing points  
WA = wall sealing profile



dimensions in mm

# markilux 1600 stretch

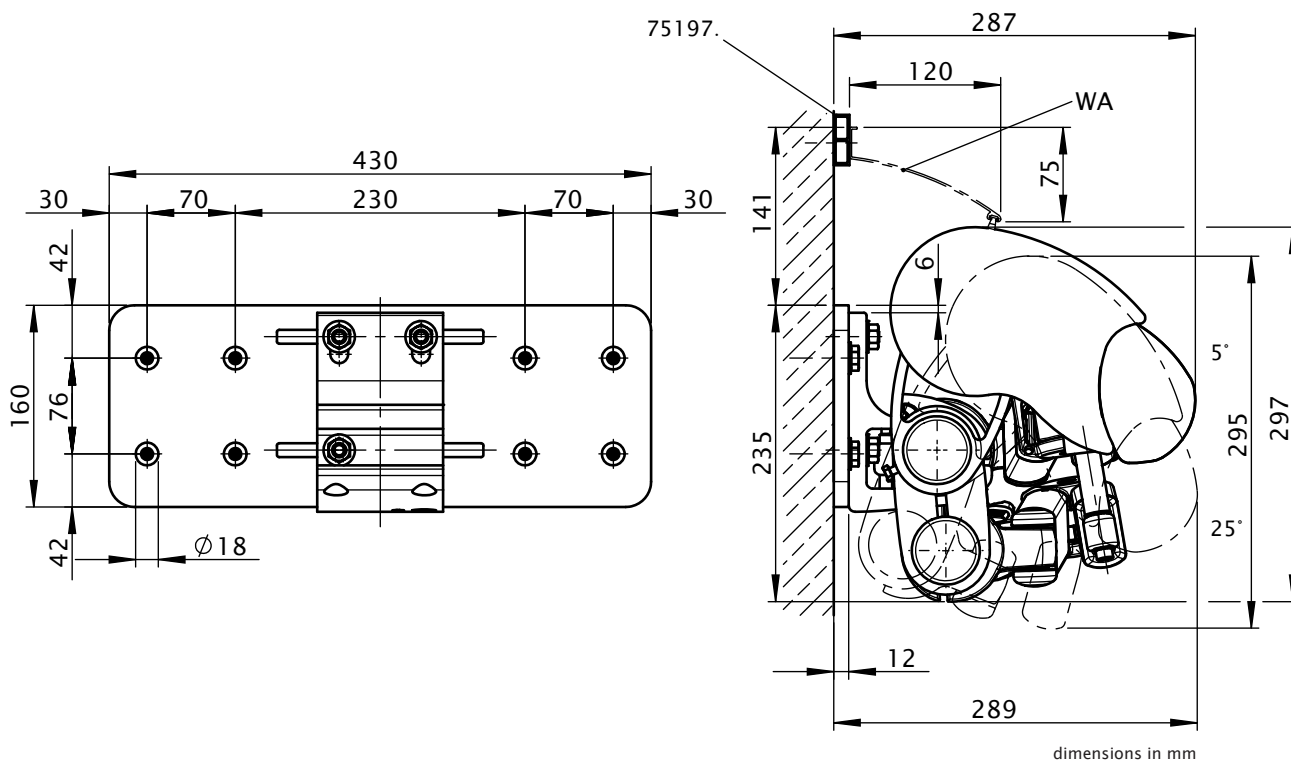
## Face fixture with shadeplus and spreader plate A

Pull-out force [N=Newton] per fixture point according to EN 13561, wind resistance class 2

H [cm]	compression-proof substrate								non compression-proof substrate							
	M [cm]								FB [N]							
	160	185	210	235	260	310	360	410	160	185	210	235	260	310	360	410
150	215	237	---	---	---	---	---	---	305	337	---	---	---	---	---	---
200	322	357	392	---	---	---	---	---	458	507	556	---	---	---	---	---
250	---	522	571	620	668	---	---	---	---	742	811	880	950	---	---	---
300	---	---	753	819	884	1015	---	---	---	---	1071	1164	1256	1442	---	---
350	---	---	---	1044	1128	1296	1464	---	---	---	---	1483	1602	1841	2080	---
400	---	---	---	---	1551	1794	2036	2279	---	---	---	---	2205	2549	2894	3239
HT BHT	2   100 mm								2   100 mm							
BP	2								2							
BM	16								16							

The pull-out force refers to the vertical centre to centre measurement between the fixture points of 76 mm.  
In the case of spreader plates a washer conforming to DIN 9021 must be used.

M = overall awning width  
H = extension  
FB = pull-out force per fixing point  
HT | BHT = bracket quantity | width  
BP = no. of spreader plates  
BM = no. of fixing points  
WA = wall sealing profile  
75197.: stand-off strip for wall sealing profile



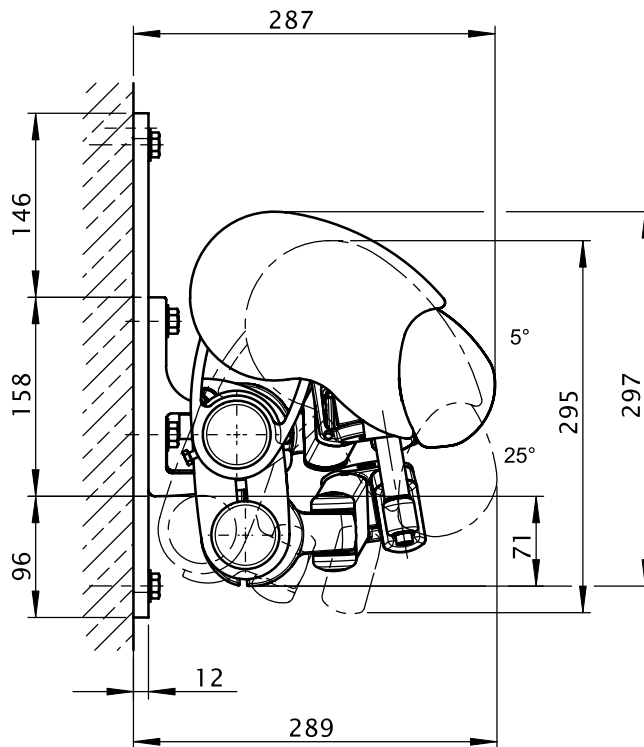
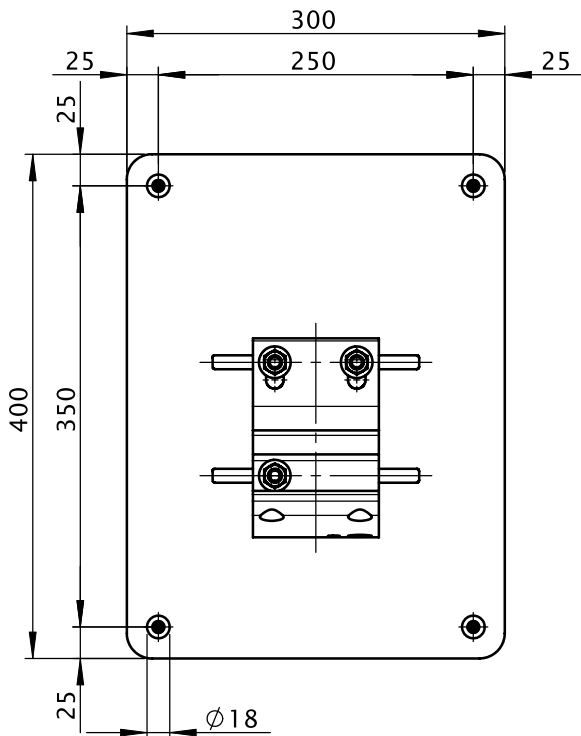
# Face fixture with shadeplus and spreader plate B

Pull-out force [N=Newton] per fixture point according to EN 13561, wind resistance class 2

H [cm]	compression-proof substrate								non compression-proof substrate							
	M [cm]								M [cm]							
	160	185	210	235	260	310	360	410	160	185	210	235	260	310	360	410
150	127	140	---	---	---	---	---	---	132	146	---	---	---	---	---	---
200	191	211	232	---	---	---	---	---	199	220	242	---	---	---	---	---
250	---	309	338	367	396	---	---	---	---	322	352	382	412	---	---	---
300	---	---	446	485	523	601	---	---	---	---	465	505	546	626	---	---
350	---	---	---	618	667	767	866	---	---	---	---	644	696	800	903	---
400	---	---	---	---	918	1062	1205	1349	---	---	---	---	957	1107	1257	1406
HT BHT	2   100 mm								2   100 mm							
BP	2								2							
BM	8								8							

The pull-out force refers to the vertical centre to centre measurement between the fixture points of 350 mm. In the case of spreader plates a washer conforming to DIN 9021 must be used.

- M = overall awning width
- H = extension
- FB = pull-out force per fixing point
- HT | BHT = bracket quantity | width
- BP = no. of spreader plates
- BM = no. of fixing points



dimensions in mm

# markilux 1600 stretch

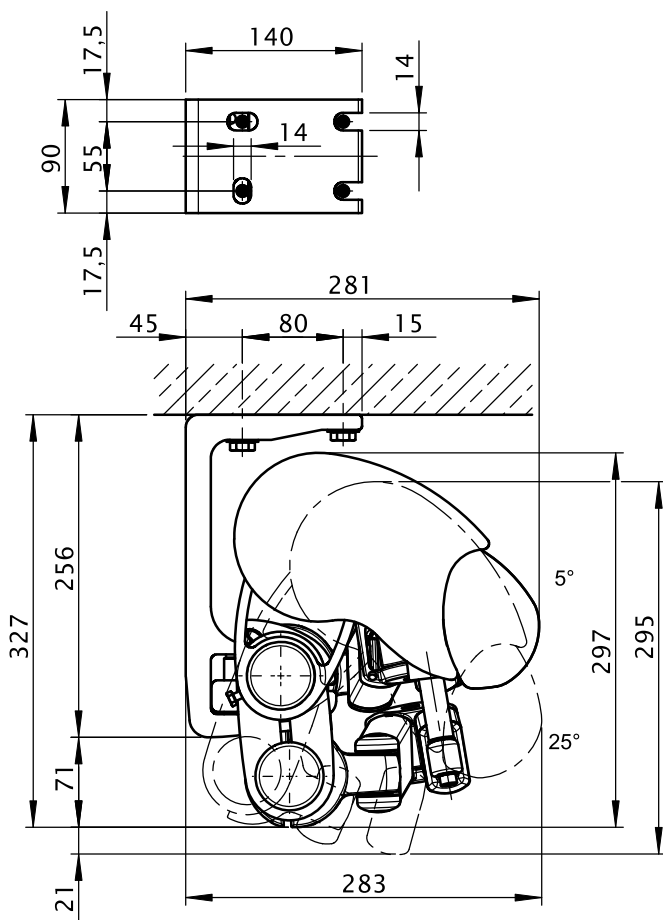
## Top fixture

Pull-out force [N=Newton] per fixture point according to EN 13561, wind resistance class 2

	compression-proof substrate								non compression-proof substrate							
	M [cm]								M [cm]							
H [cm]	160	185	210	235	260	310	360	410	160	185	210	235	260	310	360	410
	FB [N]								FB [N]							
150	443	490	---	---	---	---	---	---	569	628	---	---	---	---	---	---
200	652	722	792	---	---	---	---	---	843	933	1023	---	---	---	---	---
250	---	1047	1144	1241	1338	---	---	---	---	1359	1485	1610	1736	---	---	---
300	---	---	1504	1633	1763	2021	---	---	---	---	1958	2125	2293	2628	---	---
350	---	---	---	2078	2244	2576	2908	---	---	---	---	2709	2925	3356	3788	---
400	---	---	---	---	3094	3575	4056	4537	---	---	---	---	4041	4668	5295	5923
HT BHT	2   90 mm								2   90 mm							
BM	8								8							

The pull-out force refers to the horizontal centre to centre measurement between the fixture points of 80 mm.

M = overall awning width  
H = extension  
FB = pull-out force per fixing point  
HT | BHT = bracket quantity | width  
BM = no. of fixing points



dimensions in mm

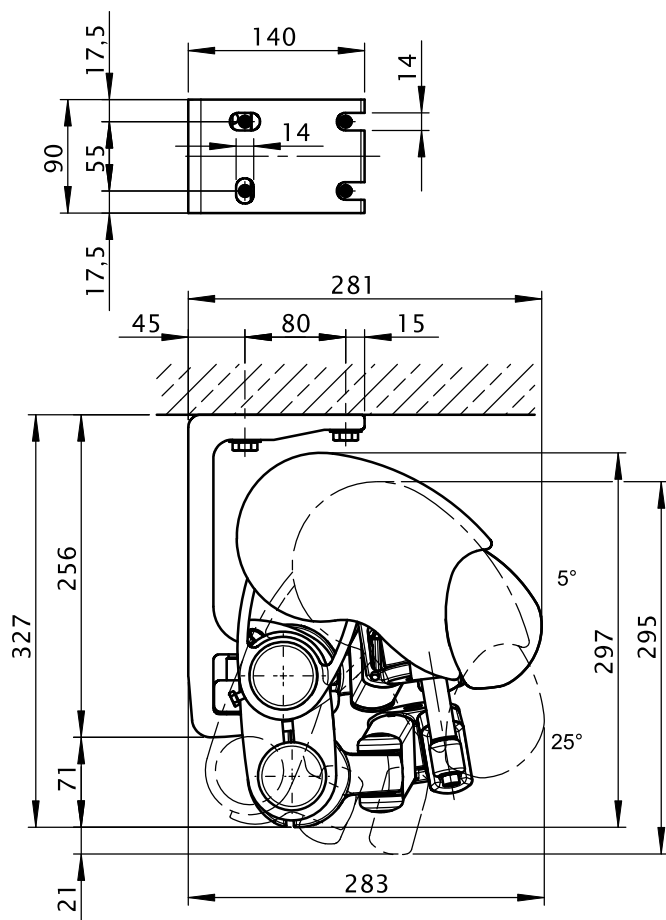
# Top fixture with shadeplus

Pull-out force [N=Newton] per fixture point according to EN 13561, wind resistance class 2

H [cm]	compression-proof substrate								non compression-proof substrate							
	M [cm]								M [cm]							
	160	185	210	235	260	310	360	410	160	185	210	235	260	310	360	410
FB [N]																
150	476	529	---	---	---	---	---	---	613	679	---	---	---	---	---	---
200	697	774	851	---	---	---	---	---	902	1001	1100	---	---	---	---	---
250	---	1111	1217	1323	1429	---	---	---	---	1444	1581	1719	1856	---	---	---
300	---	---	1592	1732	1872	2151	---	---	---	---	2073	2255	2436	2799	---	---
350	---	---	---	2193	2371	2728	3084	---	---	---	---	2860	3092	3556	4020	---
400	---	---	---	---	3240	3749	4258	4754	---	---	---	---	4232	4896	5560	6212
HT BHT	2   90 mm								2   90 mm							
BM	8								8							

The pull-out force refers to the horizontal centre to centre measurement between the fixture points of 80 mm.

M = overall awning width  
 H = extension  
 FB = pull-out force per fixing point  
 HT | BHT = bracket quantity | width  
 BM = no. of fixing points



dimensions in mm

## markilux 1600 stretch

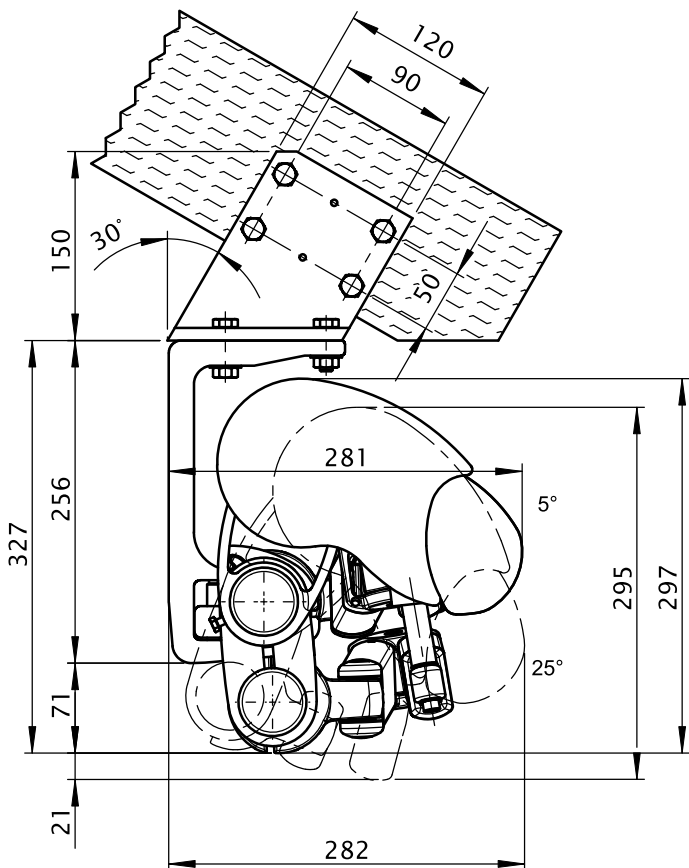
### Eaves/Roof timber fixture

Pull-out force [N=Newton] for the fixture bracket next to the arm according to EN 13561, wind resistance class 2

H [cm]	Torque								shear force							
	M [cm]								M [cm]							
	160	185	210	235	260	310	360	410	160	185	210	235	260	310	360	410
	Md [Nm]								FS [N]							
150	85	93	---	---	---	---	---	---	1020	1127	---	---	---	---	---	---
200	129	142	155	---	---	---	---	---	1508	1669	1830	---	---	---	---	---
250	---	210	229	248	267	---	---	---	---	2426	2651	2876	3101	---	---	---
300	---	---	305	331	356	408	---	---	---	---	3492	3791	4091	4690	---	---
350	---	---	---	424	458	525	592	---	---	---	---	4829	5214	5984	6754	---
400	---	---	---	---	636	734	833	931	---	---	---	---	7198	8316	9434	10552
HT	2								2							
BM	8								8							

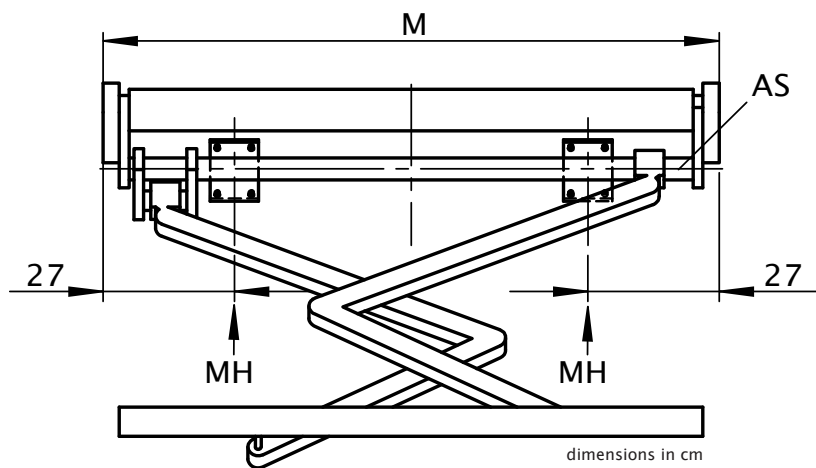
The shear force are calculated from 2 fixture points per bracket, because depending on the roof pitch it cannot be guaranteed that 4 fixture points per bracket can be used.

M = overall awning width  
 H = extension  
 Md = torque value for the bracket next to the arm  
 FS = shear force  
 HT = bracket  
 BM = no. of fixing points



dimensions in mm



**markilux 1600 stretch****Bracket range for awnings with 2 folding arms**

M = overall awning width  
 MH = bracket centre  
 AS = Operation side (opposite the lower folding arm)